

15-V PROGRAMMABLE HOT SWAP POWER MANAGER

FEATURES

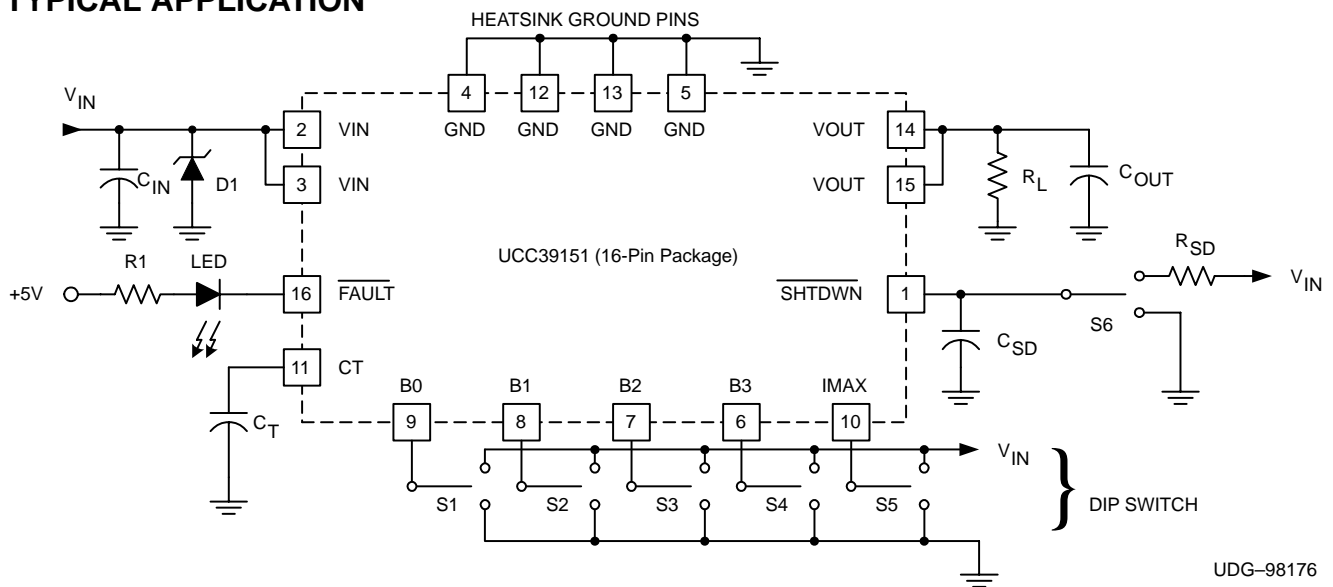
- Integrated 0.15-Ω Power MOSFET
- 7-V to 15-V Operation
- Digital Programmable Current Limit from 0 A to 3 A
- Programmable On-Time
- Programmable Start Delay
- Fixed 2% Duty Cycle
- Thermal Shutdown
- Fault Output Indicator
- Power SOIC and TSSOP, Low Thermal-Resistance Packaging

DESCRIPTION

The UCC39151 programmable hot swap power manager provides complete power management, hot swap capability, and circuit breaker functions. The only external component required to operate the device, other than power supply bypassing, is the fault timing capacitor, C_T . All control and housekeeping functions are integrated, and externally programmable. These include the fault current level, maximum output sourcing current, maximum fault time, and start-up delay. In the event of a constant fault, the internal fixed 2% duty cycle ratio limits average output power.

The internal 4-bit DAC allows programming of the fault level current from 0 A to 3 A with 0.25 A resolution. The IMAX control pin sets the maximum sourcing current to 1 A above the trip level or to a full 4 A of output current for fast output capacitor charging.

TYPICAL APPLICATION



UDG-98176



Please be aware that an important notice concerning availability, standard warranty, and use in critical applications of Texas Instruments semiconductor products and disclaimers thereto appears at the end of this data sheet.

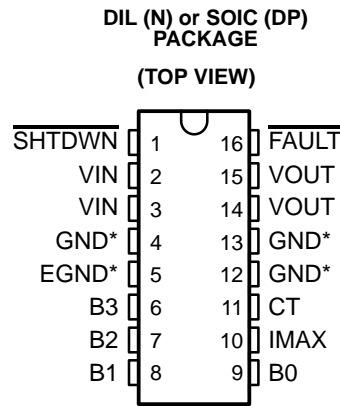
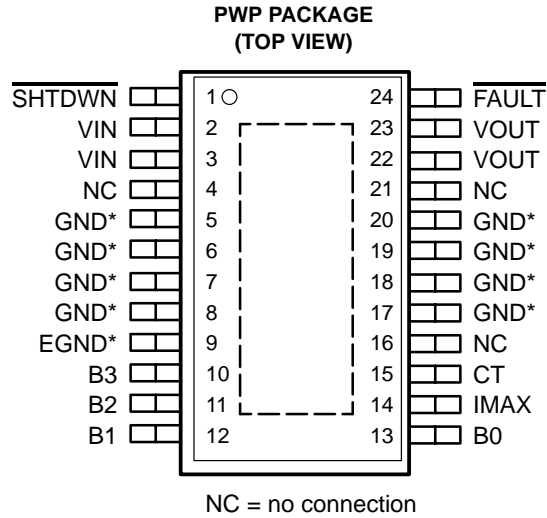
description (continued)

When the output current is below the fault level, the output MOSFET is switched on with a nominal on-resistance of 0.15 Ω. When the output current exceeds the fault level, but is less than the maximum sourcing level, the output remains switched on but the fault timer starts, charging C_T. Once C_T charges to a preset threshold, the switch is turned off, and remains off for 50 times the programmed fault time. When the output current reaches the maximum sourcing level, the MOSFET transitions from a switch to a constant current source.

absolute maximum ratings†

- Input voltage, V_{IN} 15.5 V
- (V_{OUT} – V_{IN}) 0.3 V
- FAULT sink current 50 mA
- FAULT voltage –0.3 to 8 V
- Output current, V_{OUT} Self limiting
- TTL input voltage –0.3 to V_{IN}
- Storage temperature –65°C to 150°C
- Junction temperature –55°C to 150°C
- Lead temperature (soldering 10 seconds) 300°C

† Stresses beyond those listed under “absolute maximum ratings” may cause permanent damage to the device. These are stress ratings only, and functional operation of the device at these or any other conditions beyond those indicated under “recommended operating conditions” is not implied. Exposure to absolute-maximum-rated conditions for extended periods may affect device reliability. Currents are positive into, negative out of the specified terminal.



* Pin 5 on the N and DP packages (and pin 9 on the PWP package) serves as the lowest impedance to the electrical ground. Pins 4, 12 and 13 on the DP package (and pins 5, 6, 7, 8, 17, 18, 19, and 20 on the PWP package) serve as heatsink/ground. These pins should be connected to large etch areas to help dissipate heat. On the N package, pins 4, 12 and 13 are not connected.

AVAILABLE OPTIONS

T _A	PACKAGES		
	SOIC (DP)†	DIL (N)	TSSOP (PWP)†
0°C to 70°C	UCC39151DP	UCC39151N	UCC39151PWP

† The DP and PWP packages are available taped and reeled. Add TR suffix to device type (e.g. UCC39151DPTR) to order quantities of 2500 (DP) or 2000 (PWP) devices per reel.

electrical characteristics over recommended operating virtual junction temperature range, $T_A = 0^\circ\text{C}$ to 70°C , $V_{IN} = 12\text{ V}$, $I_{MAX} = 0.4\text{ V}$, $SHTDWN = 2.4\text{ V}$, $T_A = T_J$ (unless otherwise noted)

supply

PARAMETER	TEST CONDITIONS	MIN	TYP	MAX	UNITS
Input voltage range		7.0		15.0	V
Supply current			1.0	2.0	mA
Sleep mode current	$\overline{SHTDWN} = 0.2\text{ V}$, No load		100	150	μA
Output leakage	$\overline{SHTDWN} = 0.2\text{ V}$			20	mA

output

PARAMETER	TEST CONDITIONS	MIN	TYP	MAX	UNITS
Voltage drop	$I_{OUT} = 1\text{ A}$, $10\text{ V} \leq V_{IN} \leq 12\text{ V}$		0.15	0.3	V
	$I_{OUT} = 2\text{ A}$, $10\text{ V} \leq V_{IN} \leq 12\text{ V}$		0.3	0.6	
	$I_{OUT} = 3\text{ A}$, $10\text{ V} \leq V_{IN} \leq 12\text{ V}$		0.45	0.9	
	$I_{OUT} = 1\text{ A}$, $7\text{ V} \leq V_{IN} \leq 15\text{ V}$		0.2	0.4	
	$I_{OUT} = 2\text{ A}$, $7\text{ V} \leq V_{IN} \leq 15\text{ V}$		0.4	0.8	
	$I_{OUT} = 3\text{ A}$, $7\text{ V} \leq V_{IN} \leq 12\text{ V(max)}$		0.6	1.2	
Initial startup time	See Note 1		100		μs
Short circuit response time	See Note 1		100		ns
Thermal shutdown temperature	See Note 1		165		$^\circ\text{C}$
Thermal hysteresis	See Note 1		10		

DAC

PARAMETER	TEST CONDITIONS	MIN	TYP	MAX	UNITS
Trip current	Code = 0000 to 0011, (device off)				A
	Code = 0100	0.07	0.25	0.45	
	Code = 0101	0.32	0.50	0.7	
	Code = 0110	0.50	0.75	0.98	
	Code = 0111	0.75	1.00	1.3	
	Code = 1000	1.0	1.25	1.6	
	Code = 1001	1.25	1.50	1.85	
	Code = 1010	1.5	1.75	2.15	
	Code = 1011	1.70	2.00	2.4	
	Code = 1100	1.90	2.25	2.7	
	Code = 1101	2.1	2.50	2.95	
	Code = 1110	2.30	2.75	3.25	
	Code = 1111	2.50	3.0	3.5	
Maximum output current over trip level (current source mode)	Code = 0100 to 1111, $I_{MAX} = 0\text{ V}$	0.35	1.0	1.65	
Maximum output current (current source mode)	Code = 0100 to 1111, $I_{MAX} = 2.4\text{ V}$	3.0	4.0	5.2	

open drain output ($\overline{\text{FAULT}}$)

PARAMETER	TEST CONDITIONS	MIN	TYP	MAX	UNITS
High-level output current	$\overline{\text{FAULT}} = 5\text{ V}$			250	μA
Low-level output voltage	$I_{OUT} = 5\text{ mA}$		0.2	0.8	V

NOTE 1: Ensured by design. Not production tested.

electrical characteristics over recommended operating virtual junction temperature range, $T_A = 0^\circ\text{C}$ to 70°C , $V_{IN} = 12\text{ V}$, $I_{MAX} = 0.4\text{ V}$, $SHTDWN = 2.4\text{ V}$, $T_A = T_J$ (unless otherwise noted)

fault timer

PARAMETER	TEST CONDITIONS	MIN	TYP	MAX	UNITS
CT charge current	$V_{CT} = 1.0\text{ V}$	-83	-62	-47	μA
CT discharge current	$V_{CT} = 1.0\text{ V}$	0.8	1.2	1.8	
Output duty cycle	$V_{OUT} = 0\text{ V}$	1.0%	1.9%	3.3%	
CT fault threshold voltage		1.2	1.5	1.7	V
CT reset threshold voltage		0.4	0.5	0.6	

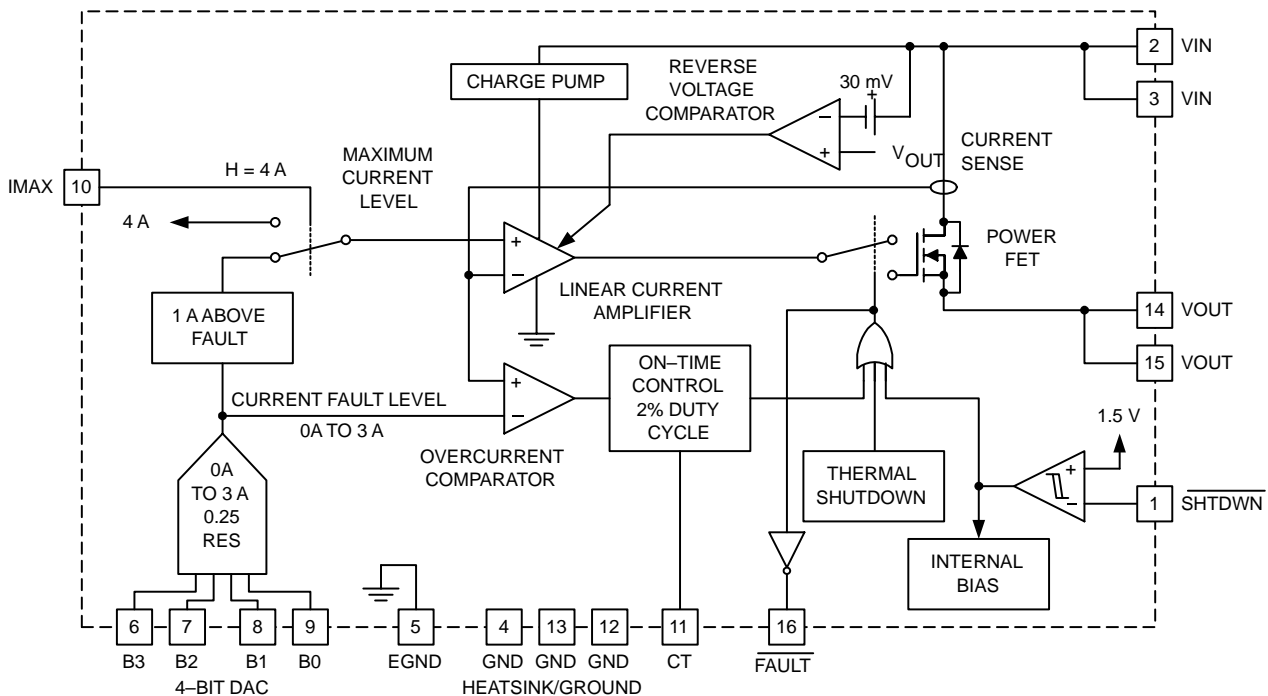
SHTDWN

PARAMETER	TEST CONDITIONS	MIN	TYP	MAX	UNITS
Shutdown threshold voltage		1.1	1.5	1.9	V
Shutdown hysteresis			150		mV
Input current			100	500	nA

TTL input dc characteristics

PARAMETER	TEST CONDITIONS	MIN	TYP	MAX	UNITS
TTL high-level input voltage		2.0			V
TTL low-level input voltage				0.8	V
TTL high-level input current	$V_{IH} = 2.4\text{ V}$		3	10	μA
TTL low-level input current	$V_{IL} = 0.4\text{ V}$			1	μA

block diagram (16-pin package)



UDG-01044

Terminal Functions

TERMINAL				I/O	DESCRIPTION
NAME	PACKAGE				
	DP	N	PWP		
B0	9	9	13	I	Provides digital input to the DAC, which sets the fault current threshold. These can be used to provide a digital soft-start and adaptive current limiting.
B1	8	8	12	I	
B2	7	7	11	I	
B3	6	6	10	I	
CT	11	11	15	I/O	Capacitor connects to ground and sets the maximum fault time.
EGND	5	5	9	–	Serves as lowest impedance to the electrical ground.
$\overline{\text{FAULT}}$	16	16	24	O	Open-drain output, which pulls low upon any fault or interrupt condition, or thermal shutdown.
GND	4, 12, 13	–	5, 6, 7, 8, 17, 18, 19, 20	–	Heat sink/ground pins. These pins should be connected to large etch areas to help dissipate heat.
IMAX	10	10	14	I	When this pin is set low, the maximum sourcing current is 1 A above the programmed fault level. When set high, the maximum sourcing current is a constant 4 A for applications which require fast charging of load capacitance.
$\overline{\text{SHTDWN}}$	1	1	1	I	When this pin is brought low, the device is put into a sleep mode drawing typically less than 100 μA of I_{CC} (with VOUT unloaded). The input threshold is hysteretic, allowing the user to program a start-up delay with an external RC circuit.
VIN	2, 3	2, 3	2, 3	I	Input voltage. The recommended voltage range is 7 V to 15 V. Both VIN pins should be connected together and connected to power source.
VOUT	14, 15	14, 15	22, 23	O	Output voltage. VOUT must not exceed VIN by more than 0.3 V.

detailed pin descriptions

CT: A capacitor connected to ground sets the maximum fault time. The maximum fault time must be more than the time required to charge the external capacitance in one cycle. The maximum fault time is defined as:

$$t_{\text{FAULT}} = 16.1 \times 10^3 \times C_T \quad (1)$$

Once the fault time is reached the output shuts down for a time given by:

$$t_{\text{SD}} = 833 \times 10^3 \times C_T \quad (2)$$

This equates to a 1.9% duty cycle.

VOUT: Output voltage from the UCC39151. Both VOUT pins should be connected together and connected to the load. When switched:

$$V_{\text{OUT}} \cong V_{\text{IN}} - (0.15 \Omega \times I_{\text{OUT}}) \quad (3)$$

VOUT must not exceed VIN by more than 0.3V.

APPLICATION INFORMATION

protecting the UCC39151 from voltage transients

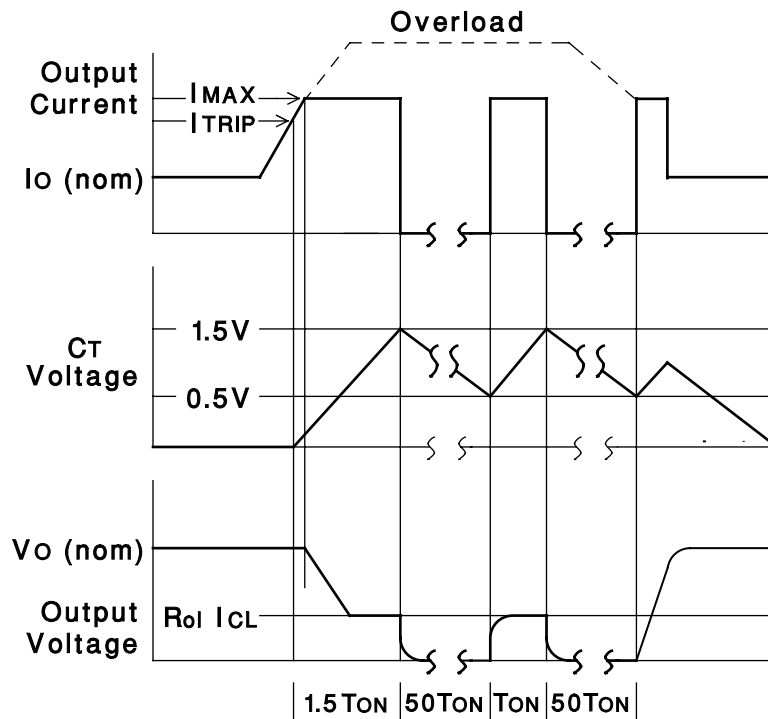
The parasitic inductance associated with the power distribution can cause a voltage spike at VIN if the load current is suddenly interrupted by the UCC39151. It is important to limit the peak of this spike to less than 15 V to prevent damage to the UCC39151. This voltage spike can be minimized by:

- Reducing the power distribution inductance (e.g., twist the positive (+) and negative (-) leads of the power supply feeding VIN, locate the power supply close to the UCC39151 or use PCB power and ground planes).
- Decoupling VIN with a capacitor, CIN (refer to Typical Application diagram), located close to the VIN pins. This capacitor is typically 1 μF or less to limit the inrush current.
- Clamping the voltage at VIN below 15 V with a Zener diode, D1 (refer to Typical Application diagram), located close to the VIN pins.

estimating maximum load capacitance

For hot swap applications, the rate at which the total output capacitance can be charged depends on the maximum output current available and the nature of the load. For a constant-current, current-limited application, the output comes up if the load asks for less than the maximum available short-circuit current.

To guarantee recovery of a duty-cycle from a short-circuited load condition, there is a maximum total output capacitance which can be charged for a given unit on-time (fault-time). The design value of on-time or fault-time can be adjusted by changing the timing capacitor CT.



UDG-94138

Figure 1. Output Waveforms Under Fault Conditions

APPLICATION INFORMATION

For worst-case constant-current load of value just less than the trip limit; $C_{OUT(max)}$ can be estimated from:

$$C_{OUT(max)} \approx (I_{MAX} - I_{LOAD}) \times \left(\frac{16.1 \times 10^3 \times C_T}{V_{OUT}} \right) \quad (4)$$

Where V_{OUT} is the output voltage.

For a resistive load of value R_L , the value of $C_{OUT(max)}$ can be estimated from:

$$C_{OUT(max)} \approx \left[\frac{16.1 \times 10^3 \times C_T}{R_L \times \ln \left[\frac{1}{1 - \frac{V_{OUT}}{I_{MAX} \times R_L}} \right]} \right] \quad (5)$$

Long C_T times must consider the maximum temperature. Thermal shutdown protection may be the limiting fault-time.

safety recommendations

Although the UCC39151 is designed to provide system protection for all fault conditions, all integrated circuits can ultimately fail short. For this reason, if the UCC39151 is intended for use in safety critical applications where UL or some other safety rating is required, a redundant safety device such as a fuse should be placed in series with the device. The UCC39151 prevents the fuse from blowing for virtually all fault conditions, increasing system reliability and reducing maintenance cost, in addition to providing the hot swap benefits of the device.

PACKAGING INFORMATION

Orderable Device	Status ⁽¹⁾	Package Type	Package Drawing	Pins	Package Qty	Eco Plan ⁽²⁾	Lead/Ball Finish	MSL Peak Temp ⁽³⁾
UCC39151DP	ACTIVE	SOIC	D	16	40	None	CU SNPB	Level-1-220C-UNLIM
UCC39151DPTR	ACTIVE	SOIC	D	16	2500	None	CU SNPB	Level-1-220C-UNLIM
UCC39151N	ACTIVE	PDIP	N	16	25	None	CU NIPDAU	Level-NA-NA-NA
UCC39151PWP	ACTIVE	TSSOP	PW	24	60	None	CU NIPDAU	Level-2-220C-1 YEAR
UCC39151PWPTR	ACTIVE	TSSOP	PW	24	2000	None	CU NIPDAU	Level-2-220C-1 YEAR

⁽¹⁾ The marketing status values are defined as follows:

ACTIVE: Product device recommended for new designs.

LIFEBUY: TI has announced that the device will be discontinued, and a lifetime-buy period is in effect.

NRND: Not recommended for new designs. Device is in production to support existing customers, but TI does not recommend using this part in a new design.

PREVIEW: Device has been announced but is not in production. Samples may or may not be available.

OBsolete: TI has discontinued the production of the device.

⁽²⁾ Eco Plan - May not be currently available - please check <http://www.ti.com/productcontent> for the latest availability information and additional product content details.

None: Not yet available Lead (Pb-Free).

Pb-Free (RoHS): TI's terms "Lead-Free" or "Pb-Free" mean semiconductor products that are compatible with the current RoHS requirements for all 6 substances, including the requirement that lead not exceed 0.1% by weight in homogeneous materials. Where designed to be soldered at high temperatures, TI Pb-Free products are suitable for use in specified lead-free processes.

Green (RoHS & no Sb/Br): TI defines "Green" to mean "Pb-Free" and in addition, uses package materials that do not contain halogens, including bromine (Br) or antimony (Sb) above 0.1% of total product weight.

⁽³⁾ MSL, Peak Temp. -- The Moisture Sensitivity Level rating according to the JEDEC industry standard classifications, and peak solder temperature.

Important Information and Disclaimer: The information provided on this page represents TI's knowledge and belief as of the date that it is provided. TI bases its knowledge and belief on information provided by third parties, and makes no representation or warranty as to the accuracy of such information. Efforts are underway to better integrate information from third parties. TI has taken and continues to take reasonable steps to provide representative and accurate information but may not have conducted destructive testing or chemical analysis on incoming materials and chemicals. TI and TI suppliers consider certain information to be proprietary, and thus CAS numbers and other limited information may not be available for release.

In no event shall TI's liability arising out of such information exceed the total purchase price of the TI part(s) at issue in this document sold by TI to Customer on an annual basis.

IMPORTANT NOTICE

Texas Instruments Incorporated and its subsidiaries (TI) reserve the right to make corrections, modifications, enhancements, improvements, and other changes to its products and services at any time and to discontinue any product or service without notice. Customers should obtain the latest relevant information before placing orders and should verify that such information is current and complete. All products are sold subject to TI's terms and conditions of sale supplied at the time of order acknowledgment.

TI warrants performance of its hardware products to the specifications applicable at the time of sale in accordance with TI's standard warranty. Testing and other quality control techniques are used to the extent TI deems necessary to support this warranty. Except where mandated by government requirements, testing of all parameters of each product is not necessarily performed.

TI assumes no liability for applications assistance or customer product design. Customers are responsible for their products and applications using TI components. To minimize the risks associated with customer products and applications, customers should provide adequate design and operating safeguards.

TI does not warrant or represent that any license, either express or implied, is granted under any TI patent right, copyright, mask work right, or other TI intellectual property right relating to any combination, machine, or process in which TI products or services are used. Information published by TI regarding third-party products or services does not constitute a license from TI to use such products or services or a warranty or endorsement thereof. Use of such information may require a license from a third party under the patents or other intellectual property of the third party, or a license from TI under the patents or other intellectual property of TI.

Reproduction of information in TI data books or data sheets is permissible only if reproduction is without alteration and is accompanied by all associated warranties, conditions, limitations, and notices. Reproduction of this information with alteration is an unfair and deceptive business practice. TI is not responsible or liable for such altered documentation.

Resale of TI products or services with statements different from or beyond the parameters stated by TI for that product or service voids all express and any implied warranties for the associated TI product or service and is an unfair and deceptive business practice. TI is not responsible or liable for any such statements.

Following are URLs where you can obtain information on other Texas Instruments products and application solutions:

Products		Applications	
Amplifiers	amplifier.ti.com	Audio	www.ti.com/audio
Data Converters	dataconverter.ti.com	Automotive	www.ti.com/automotive
DSP	dsp.ti.com	Broadband	www.ti.com/broadband
Interface	interface.ti.com	Digital Control	www.ti.com/digitalcontrol
Logic	logic.ti.com	Military	www.ti.com/military
Power Mgmt	power.ti.com	Optical Networking	www.ti.com/opticalnetwork
Microcontrollers	microcontroller.ti.com	Security	www.ti.com/security
		Telephony	www.ti.com/telephony
		Video & Imaging	www.ti.com/video
		Wireless	www.ti.com/wireless

Mailing Address: Texas Instruments
Post Office Box 655303 Dallas, Texas 75265

This datasheet has been download from:

www.datasheetcatalog.com

Datasheets for electronics components.