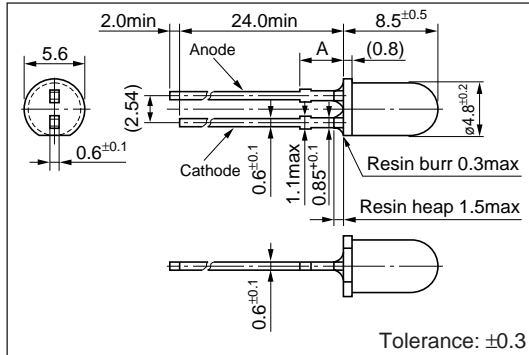


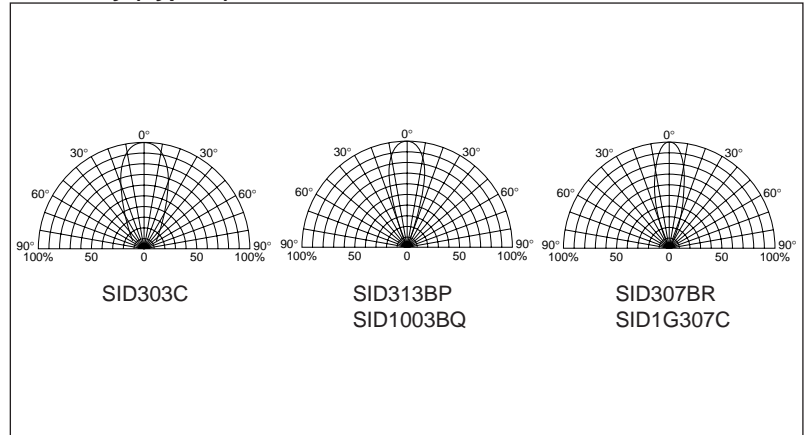
5 ϕ Round Infrared LED

SID300/1003 Series

External Dimensions (Unit: mm)



Directivity (Typical)



Absolute maximum ratings (Ta=25°C)

| Symbol | Unit | Rating | Condition |
|-----------------|-------|-------------|-----------------|
| I _F | mA | 150 | |
| ΔI _F | mA/°C | -1.33 | Above 25°C |
| I _{FP} | mA | 1000 | f=1kHz, tw≤10μs |
| V _R | V | 5 | |
| Top | °C | -30 to +85 | |
| Tstg | °C | -30 to +100 | |

Electrical Optical characteristics (Ta=25°C)

| Part Number | Lens color | Forward voltage | | Reverse current | | Optical Power | | Peak wavelength | | Spectrum half width | | Chip material | Dimension A (mm) | |
|-------------|-----------------------------|--------------------|-----|---------------------|------------------------------|------------------------|-----------|----------------------|-------------------------------|---------------------|-------------------------------|---------------|------------------|---------------------|
| | | V _F (V) | | I _R (μA) | Condition V _R (V) | I _e (mW/sr) | Condition | λ _P (nm) | Condition I _F (mA) | Δλ (nm) | Condition I _F (mA) | | | |
| | | typ | max | max | | typ | | typ | | typ | | | | |
| SID303C | Clear | 1.3 | 1.5 | 50 | 10 | 5 | 80 | (Constant voltage) | 940 | 50 | 50 | 50 | GaAs | 3.0 ^{±0.5} |
| SID313BP | Transparent light purple | 1.3 | 1.5 | 50 | 10 | 5 | 130 | V _{CC} =3V | 940 | 50 | 50 | 50 | | 3.6 ^{±0.5} |
| SID1003BQ | Transparent light navy blue | 1.3 | 1.5 | 50 | 10 | 5 | 180 | | 940 | 50 | 50 | 50 | | |
| SID307BR | Transparent dark navy blue | 1.3 | 1.5 | 50 | 10 | 5 | 200 | R=2.2Ω | 940 | 50 | 50 | 50 | | 4.2 ^{±0.5} |
| SID1G307C | Clear | 1.5 | 1.8 | 50 | 10 | 5 | 50 | I _F =50mA | 850 | 50 | 40 | 50 | | |

This datasheet has been download from:

www.datasheetcatalog.com

Datasheets for electronics components.