

# POWERLINE - DC/DC-Converter

A-Series, 8 Watt, DIP24, Regulated & Wide Input Range (Dual Output)

# RECOM

## Features

- 8 Watts in DIP24 Package
- Include 3.3VDC Output
- Efficiency up to 86%
- Regulated Outputs
- Low Profile, 10.2 mm Height
- No Derating to 71°C
- No other Components required
- Five-Sided EMI Shield
- Over Current Protection, Continuous
- MTBF 7.189 x 10<sup>5</sup> Hours
- 2 Year Warranty
- Standard and SMT-Pinning
- UL 1950 Component Recognised



## Selection Guide 12V, 24V and 48V Input Types

Part Number	Input Range	Output Voltage	Output Current	Efficiency (%)
RP08-1233SA	9-18 VDC	3.3 VDC	2000 mA	81
RP08-1205SA	9-18 VDC	5 VDC	1500 mA	82
RP08-1212SA	9-18 VDC	12 VDC	666 mA	86
RP08-1215SA	9-18 VDC	15 VDC	533 mA	83
RP08-1205DA	9-18 VDC	±5 VDC	±800 mA	83
RP08-1212DA	9-18 VDC	±12 VDC	±333 mA	84
RP08-1215DA	9-18 VDC	±15 VDC	±267 mA	84
RP08-2433SA	18-36 VDC	3.3 VDC	2000 mA	80
RP08-2405SA	18-36 VDC	5 VDC	1500 mA	84
RP08-2412SA	18-36 VDC	12 VDC	666 mA	83
RP08-2415SA	18-36 VDC	15 VDC	533 mA	83
RP08-2405DA	18-36 VDC	±5 VDC	±800 mA	83
RP08-2412DA	18-36 VDC	±12 VDC	±333 mA	85
RP08-2415DA	18-36 VDC	±15 VDC	±267 mA	85
RP08-4833SA	36-75 VDC	3.3 VDC	2000 mA	80
RP08-4805SA	36-75 VDC	5 VDC	1500 mA	83
RP08-4812SA	36-75 VDC	12 VDC	666 mA	84
RP08-4815SA	36-75 VDC	15 VDC	533 mA	84
RP08-4805DA	36-75 VDC	±5 VDC	±800 mA	84
RP08-4812DA	36-75 VDC	±12 VDC	±333 mA	85
RP08-4815DA	36-75 VDC	±15 VDC	±267 mA	85

## Maximum Capacitive Load

RP08-xx33SA	3300µF
RP08-xx05SA	1600µF
RP08-xx12SA	350µF
RP08-xx15SA	240µF
RP08-xx05DA	±1000µF
RP08-xx12DA	±160µF
RP08-xx15DA	±100µF

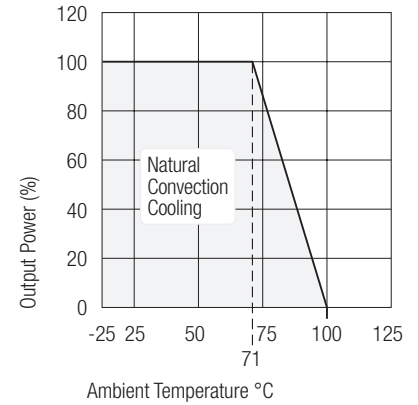
# POWERLINE - DC/DC-Converter

A-Series, 8 Watt, DIP24, Regulated & Wide Input Range (Dual Output)

# RECOM

## Specifications (typical at nominal input and 25°C unless otherwise noted)

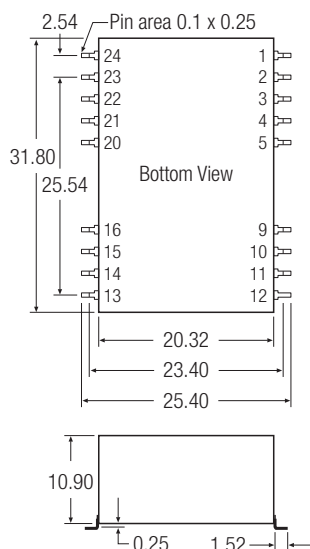
Input Voltage Range	12V types nominal	9-18V
	24V types nominal	18-36V
	48V types nominal	36-75V
Input Filter		Pi Type
Voltage Accuracy		±2%
Voltage Balance, Dual Outputs		±2%
Ripple and Noise, 20MHz BW		50mVp-p
Line Regulation	Single Output	±0.2% max.
	Dual Output	±0.2% max.
Load Regulation, FL-1/4FL	Single Output	±2% max.
	Dual Output	±1% max.
Temperature Coefficient		±0.02%/°C
Over Current Protection		Continuous
Control Voltage Referenced to Negative(-)Input Compatability		CMOS, TTL
ON-Control		4.8V min, or Open
OFF-Control		0.4V max. or Short
Switching Frequency		300kHz, typ.
Isolation Voltage		1600VDC
Isolation Resistance		10 <sup>9</sup> Ω
Isolation Capacitance		300pF max.
Operating Temperature Range		-25°C to +71°C
Storage Temperature Range		-55°C to +125°C
Cooling		Free-air Convection
EMI/RFI		Five-sided Shield
Case Material		Nickel-Coated Copper with Non-Conductive Base
Dimensions		31.8 x 20.3 x 10.2 mm
MTBF (MIL-HDBK-217F TA = 25°C full load)		7.189 x 10 <sup>5</sup> Hours



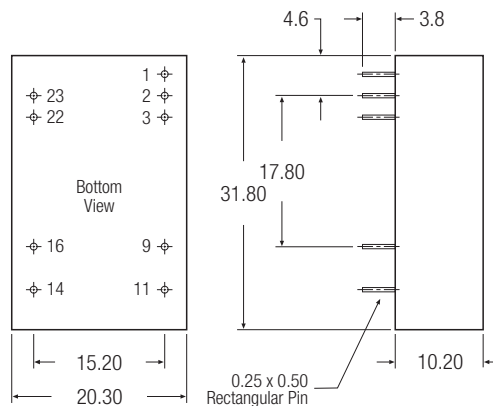
## Package Style and Pinning (mm)

### SMD Package Style

Same spec. as the original DIP spec. and pin definition, excl. of the SMD type pin.



### DIP24 Package Style



### Pin Connections

Pin #	Single	Dual
1	ON/OFF	ON/OFF
2	-Vin	-Vin
3	-Vin	-Vin
9	NC	Com
11	NC	-Vout
14	+Vout	+Vout
16	-Vout	Com
22	+Vin	+Vin
23	+Vin	+Vin

NC = No Connection

This datasheet has been download from:

[www.datasheetcatalog.com](http://www.datasheetcatalog.com)

Datasheets for electronics components.