

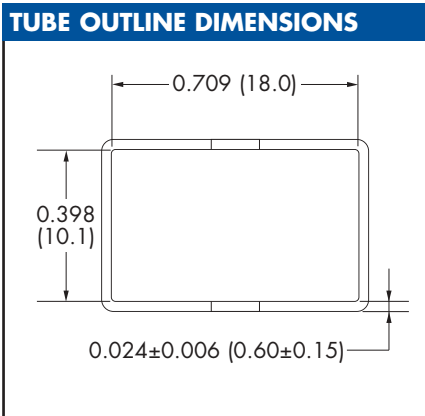


FEATURES

- 2.7µH to 330µH
- Surface Mounting
- Up to 8.10A IDC
- UL 94V-0 Package Materials
- Compact Size
- Toroidal Construction giving Low Leakage Flux
- Pick & Place Compatible

DESCRIPTION

The 4100 series is a range of surface mount toroidal inductors designed for use in switching power supplies and DC/DC converters. The parts are ideal for applications requiring low profile compact components in a surface mount package.



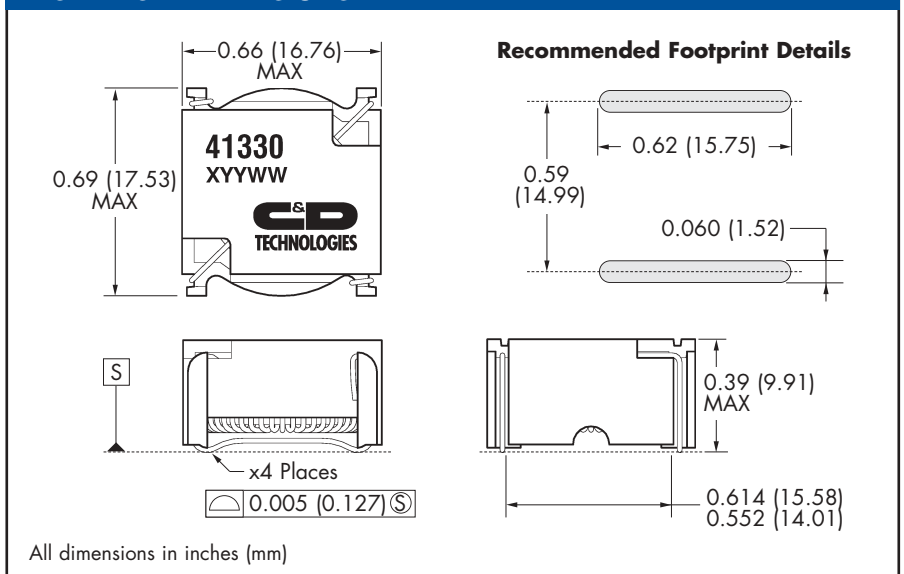
SELECTION GUIDE

	Nominal Inductance	Inductance Range	DC Resistance	DC Current Continuous
Order Code	µH 10kHz rms 10mV AC	µH 10kHz rms 10mV AC	mΩ MAX	A MAX
412R7	2.7	2.1 - 3.5	14	8.10
414R7	4.7	3.3 - 5.4	18	6.70
416R8	6.8	4.7 - 7.8	20	5.70
41100	10	7.3 - 12.2	24	4.70
41150	15	10.6 - 17.6	28	4.00
41220	22	15.8 - 26.3	33	3.30
41330	33	23.8 - 39.6	38	2.70
41470	47	35.5 - 59.2	62	2.20
41680	68	52.2 - 87.0	110	1.75
41101	100	75.2 - 125	158	1.47
41151	150	114 - 189	247	1.16
41221	220	164 - 274	377	1.03
41331	330	247 - 412	462	0.83

PACKAGE DETAILS

Order Code	TYP Weight (g)	Packaging Style	QTY
41XXX	5.6	Tube	25

MECHANICAL DIMENSIONS



ABSOLUTE MAXIMUM RATINGS

Operating free air temperature range	-40°C to 85°C
Storage temperature range	-40°C to 125°C

C&D Technologies (NCL) Ltd
Tanners Drive, Blakelands North
Milton Keynes MK14 5BU, England
Tel: +44 (0)1908 615232
Fax: +44 (0)1908 617545
email: info@cdtechno-ncl.com

C&D Technologies Inc.
3400 E Britannia Drive, Tucson,
Arizona 85706, USA
Tel: +1 (800) 547-2537
Fax: +1 (520) 741-4598
email: sales@cdtechno.com

C&D Technologies (NCL) Limited reserve the right to alter or improve the specification, internal design or manufacturing process at any time, without notice. Please check with your supplier or visit our web site to ensure that you have the current and complete specification for your product before use.

© C&D Technologies (NCL) Limited 2003 NMP 4100.1

No part of this publication may be copied, transmitted or stored in a retrieval system or reproduced in any way including, but not limited to, photography, photocopy, magnetic or other recording means, without prior written permission from C&D Technologies (NCL) Limited.

Instructions for use are available from: www.cdpoweronline.com

This datasheet has been download from:

www.datasheetcatalog.com

Datasheets for electronics components.