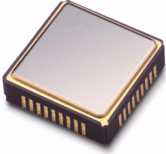


GENERAL DESCRIPTION

The M2080/81/82 and M2085/86/87 are VCSO (Voltage Controlled SAW Oscillator) based clock PLLs designed for FEC clock ratio translation in 10Gb optical systems such as OC-192 or 10GbE. They support FEC (Forward Error Correction) clock multiplication ratios, both forward (mapping) and inverse (de-mapping). Multiplication ratios are pin-selected from pre-programming look-up tables.



FEATURES

- ◆ Integrated SAW delay line; Output of 15 to 700 MHz *
- ◆ Low phase jitter < 0.5 ps rms typical (12kHz to 20MHz or 50kHz to 80MHz)
- ◆ LVPECL clock output (CML and LVDS options available)
- ◆ Pin-selectable PLL divider ratios support FEC ratios
 - M2080/85: OTU1 (255/238) and OTU2 (255/237) Mapping
 - M2081/86: OTU1 (238/255) or OTU2 (237/255) De-mapping
 - M2082/87: OTU1 (238/255) and OTU2 (237/255) De-mapping
- ◆ Reference clock inputs support differential LVDS, LVPECL, as well as single-ended LVCMOS, LVTTTL
- ◆ Loss of Lock (LOL) output pin; Narrow Bandwidth control input (NBW pin)
- ◆ AutoSwitch (AUTO pin) - automatic (non-revertive) reference clock reselection upon clock failure
- ◆ Acknowledge pin (REF_ACK pin) indicates the actively selected reference input
- ◆ Options for Hitless Switching (HS) with or without Phase Build-out (PBO) to enable SONET (GR-253)/SDH (G.813) MTIE and TDEV compliance during reselection
- ◆ Single 3.3V power supply
- ◆ Small 9 x 9 mm SMT (surface mount) package

PIN ASSIGNMENT (9 x 9 mm SMT)

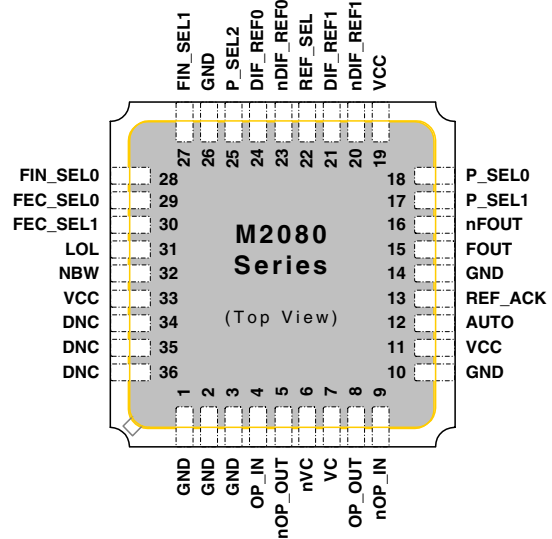


Figure 1: Pin Assignment

Example I/O Clock Frequency Combinations Using M2081-11-622.0800 FEC De-Map Ratios

FEC De-Map PLL Ratio Mfec / Rfec	Base Input Rate ¹ (MHz)	Output Clock (either output) MHz
1/1	622.0800	622.08
237/255	666.5143	or
238/255	669.3266	155.52

Table 1: Example I/O Clock Frequency Combinations

Note 1: Input reference clock can be the base frequency shown divided by "Mfin" (as shown in Tables 3 and 4 on pg. 3).

* Specify VCSO center frequency at time of order.

SIMPLIFIED BLOCK DIAGRAM

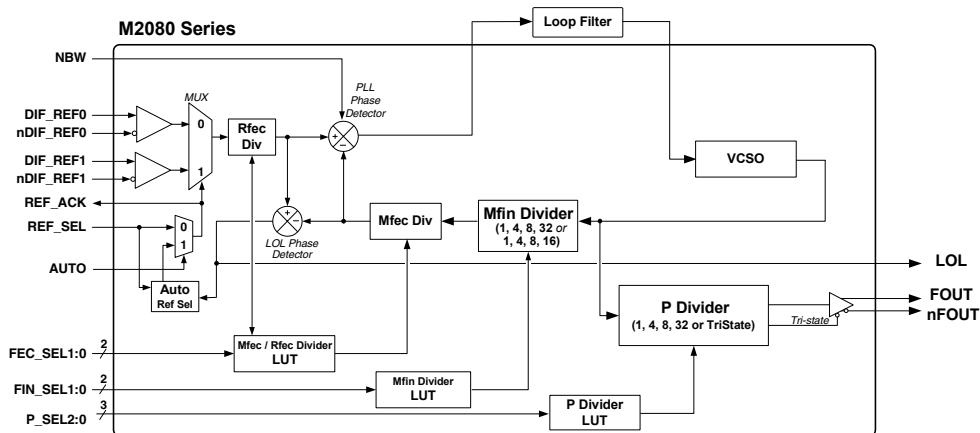


Figure 2: Simplified Block Diagram



PIN DESCRIPTIONS

Number	Name	I/O	Configuration	Description
1, 2, 3, 10, 14, 26	GND	Ground		Power supply ground connections.
4 9	OP_IN nOP_IN	Input		External loop filter connections. See Figure 5, External Loop Filter, on pg. 9.
5 8	nOP_OUT OP_OUT	Output		
6 7	nVC VC	Input		
11, 19, 33	VCC	Power		Power supply connection, connect to +3.3V.
12	AUTO	Input	Internal pull-down resistor ¹	Automatic/manual reselection mode for clock input: Logic 1 automatic reselection upon clock failure (non-revertive) Logic 0 manual selection only (using REF_SEL)
13	REF_ACK	Output		Reference Acknowledgement pin for input mux state; outputs the currently selected reference input pair: Logic 1 indicates nDIF_REF1, DIF_REF1 Logic 0 indicates nDIF_REF0, DIF_REF0
15 16	FOUT nFOUT	Output	No internal terminator	Clock output pair. Differential LVPECL.
17 18 25	P_SEL1 P_SEL0 P_SEL2	Input	Internal pull-down resistor ¹	Post-PLL, P divider selection. LVCMOS/LVTTL. See Table 8, P Divider Look-Up Table (LUT), on pg. 4.
20	nDIF_REF1	Input	Biased to $V_{cc}/2$ ²	Reference clock input pair 1. Differential LVPECL or LVDS. Resistor bias on inverting terminal supports TTL or LVCMOS.
21	DIF_REF1		Internal pull-down resistor ¹	
22	REF_SEL	Input	Internal pull-down resistor ¹	Reference clock input selection. LVCMOS/LVTTL: Logic 1 selects DIF_REF1, nDIF_REF1. Logic 0 selects DIF_REF0, nDIF_REF0.
23	nDIF_REF0	Input	Biased to $V_{cc}/2$ ²	Reference clock input pair 0. Differential LVPECL or LVDS. Resistor bias on inverting terminal supports TTL or LVCMOS.
24	DIF_REF0		Internal pull-down resistor ¹	
27 28	FIN_SEL1 FIN_SEL0	Input	Internal pull-down resistor ¹	Input clock frequency selection. LVCMOS/LVTTL. See Tables 3 and 4 Mfin Divider Look-Up Tables (LUT) on pg. 3.
29 30	FEC_SELO FEC_SEL1	Input	Internal pull-down resistor ¹	Mfec and Rfec divider value selection. LVCMOS/ LVTTL. See Tables 5, 6, and 7 on pg. 3.
31	LOL	Output		Loss of Lock indicator output. Asserted when internal PLL is not tracking the input reference for frequency and phase. ³ Logic 1 indicates loss of lock. Logic 0 indicates locked condition.
32	NBW	Input	Internal pull-UP resistor ¹	Narrow Bandwidth enable. LVCMOS/LVTTL: Logic 1 - Narrow loop bandwidth, $R_{IN} = 2100k\Omega$ Logic 0 - Wide bandwidth, $R_{IN} = 100k\Omega$
34, 35, 36	DNC		Do Not Connect.	

Note 1: For typical values of internal pull-down and pull-UP resistors, see **DC Characteristics** on pg. 11.

Note 2: Biased to $V_{cc}/2$, with 50k Ω to V_{cc} and 50k Ω to ground. See **Differential Inputs Biased to VCC/2** on pg. 11.

Note 3: See **LVCMOS Outputs** in DC Characteristics on pg. 11.

Table 2: Pin Descriptions



DETAILED BLOCK DIAGRAM

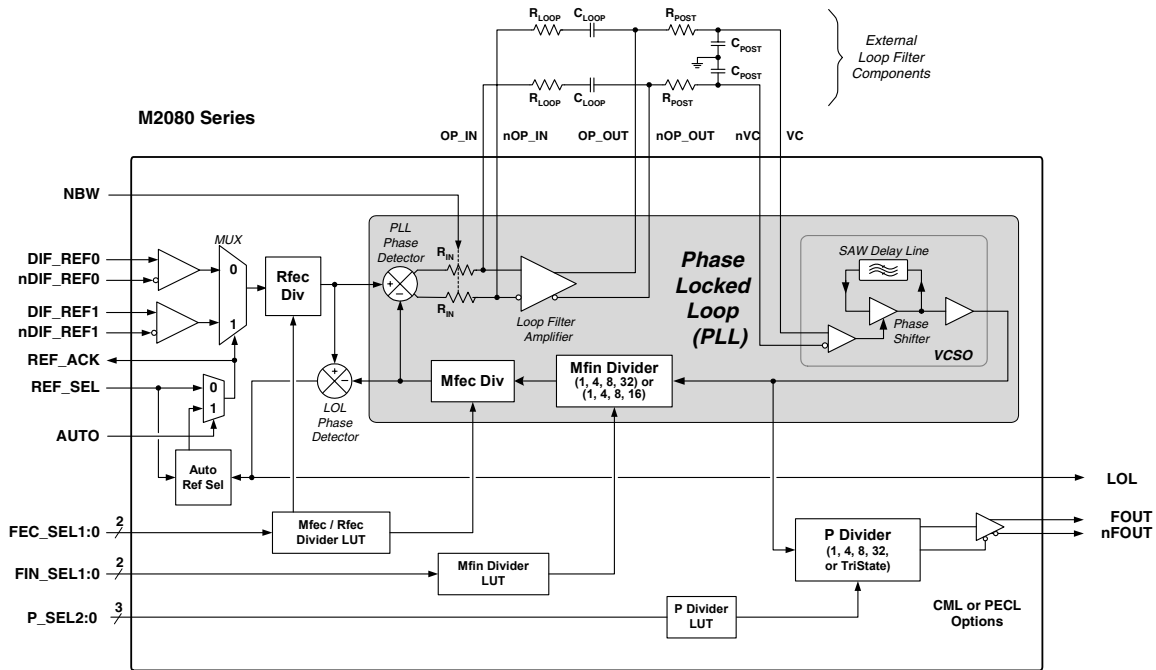


Figure 3: Detailed Block Diagram

DIVIDER SELECTION TABLES

Mfin Divider Look-Up Tables (LUT)

The FIN_SEL1:0 pins select the feedback divider value ("Mfin"), which sets the overall PLL ratio range. Since the VCSO frequency is fixed, this allows input reference selection. The look-up tables vary by device variant.

M2080/81/82: Mfin Value LUT (Includes Divide by 32)

FIN_SEL1:0	Mfin Value	Sample Input Reference Freq. (MHz) Options For M2080 ¹ , M2081 & M2082 ²
0 0	32	19.44
0 1	8	77.76
1 0	4	155.52
1 1	1	622.08

Table 3: M2080/81/82: Mfin Value LUT (Includes Divide by 32)

Note 1: For M2080 with Fvcso = 666.5143 or 669.3266
Note 2: For M2081 and M2082 with Fvcso = 622.0800.

M2085/86/87: Mfin Value LUT (Includes Divide by 16)

FIN_SEL1:0	Mfin Value	Sample Input Reference Freq. (MHz) Options For M2085 ¹ , M2086 & M2087 ²
0 0	16	38.88
0 1	8	77.76
1 0	4	155.52
1 1	1	622.08

Table 4: M2085/86/87: Mfin Value LUT (Includes Divide by 16)

Note 1: For M2085 with Fvcso = 666.5143 or 669.3266
Note 2: For M2086 and M2087 with Fvcso = 622.0800.

Mfec and Rfec Divider Look-Up Tables (LUTs)

The FEC_SEL pins select the Mfec/Rfec divider ratio. The look-up tables vary by device variant. The Mfec and Rfec values also establish phase detector frequency. A lower phase detector frequency improves jitter tolerance and lowers loop bandwidth.

M2080/85: FEC Map LUT, OTU1 (255/238) and OTU2 (255/237)

FEC_SEL1:0	Mfec	Rfec	Description	Base Input Rate (MHz)	Fvcso = Base Output Rate (MHz)
1 0					
For M2080 or M2085 with Fvcso = 666.5143 (OTU1 FEC rate):					
0 0	15	14	255/238 OC-48 to OTU1 encode	622.08	666.5143
0 1	15	15	OTU1 repeater or jitter attenuator	666.5143	666.5143
For M2080 or M2085 with Fvcso = 669.3266 (OTU2 FEC rate):					
1 0	85	79	255/237 OC-192 to OTU2 encode	622.08	669.3266
1 1	85	85	OTU2 repeater or jitter attenuator	669.3266	669.3266

Table 5: M2080/85: FEC Map LUT, OTU1 (255/238) and OTU2 (255/237)

M2081/86: FEC De-map LUT, OTU1 (238/255) or OTU2 (237/255)

Use this option for *either* OTU1 or OTU2 de-mapping applications, but not both.

FEC_SEL1:0	Mfec	Rfec	Description	Base Input Rate (MHz)	Fvcso = Base Output Rate (MHz)
1 0					
For M2081 or M2086 with Fvcso = 622.08 (OTU1 or OTU2 FEC rate):					
0 0	79	85	237/255 OTU2 to OC-192 decode	669.3266	622.08
0 1	79	79	OC-192 repeater or jitter attenuator	622.08	622.08
1 0	14	15	238/255 OTU1 to OC-48 decode	666.5143	622.08
1 1	14	14	OC-48 repeater or jitter attenuator	622.08	622.08

Table 6: M2081/86: FEC De-map LUT, OTU1 (238/255) or OTU2 (237/255)



M2082/87: FEC De-map LUT, Both OTU1 and OTU2

Use this option for *both* OTU1 or OTU2 de-mapping applications. The Mfec divider value is kept nearly constant to maintain similar loop bandwidth using one set of external filter component values.

FEC_SEL1:0	Mfec	Rfec	Description	Base Input Rate (MHz)	Fvcs0 = Base Output Rate (MHz)
1 0					
For M2082 or M2087 with Fvcs0 = 622.08 (OTU1 or OTU2 FEC rate):					
0 0	79	85	237/255 OTU2 to OC-192 decode	669.3266	622.08
0 1	79	79	OC-192 repeater or jitter attenuator	622.08	622.08
1 0	84	90	238/255 OTU1 to OC-48 decode	666.5143	622.08
1 1	84	84	OC-48 repeater or jitter attenuator	622.08	622.08

Table 7: M2082/87: FEC De-map LUT, Both OTU1 and OTU2

P Divider Look-Up Table (LUT)

The P_SEL2:0 pins select the P divider values, which set the output clock frequency. A P divider of value of 1 will provide a 622.08MHz output when using a 622.08MHz VCSO, for example. P divider values of 4, 8, or 32 are also available, plus a TriState mode. The output can be placed into the valid states as listed in Table 8.

P_SEL2:0	P Value	M2080-622.0800 or M2085-622.0800 Output Frequency (MHz)
0 0 0	32	19.44
0 0 1	32	19.44
0 1 0	1	622.08
0 1 1	4	155.52
1 0 0	8	77.76
1 0 1	4	155.52
1 1 0	8	77.76
1 1 1	TriState	N/A

Table 8: P Divider Look-Up Table (LUT)

General Guidelines for Phase Detector Frequency

The phase detector frequency (Fpd) is equal to the input reference frequency (Fref) divided by the Rfec divider value, or:

$$F_{pd} = F_{ref} / R_{fec}$$

- A lower phase detector frequency should be used for loop timing applications to assure PLL tracking, especially during GR-253 jitter tolerance testing. The recommended maximum phase detector frequency for loop timing mode is 19.44MHz.
- When LOL is to be used for system health monitoring, the phase detector frequency should be 5MHz or greater. Low phase detector frequencies make LOL overly sensitive, and higher phase detector frequencies make LOL less sensitive. The LOL pin should not be used during loop timing mode.
- The preceding guideline also applies when using the AutoSwitch Mode, since AutoSwitch uses the LOL output for clock fault detection.

FUNCTIONAL DESCRIPTION

The M208x Series is a PLL (Phase Locked Loop) based clock generator that generates output clocks synchronized to one of two selectable input reference clocks.

An internal high "Q" SAW delay line provides low jitter signal performance and establishes the output frequency of the VCSO (Voltage Controlled SAW Oscillator). In a given M208x Series device, the VCSO center frequency is fixed. A common center frequency is 622.08MHz, for SONET or SDH optical network applications. The VCSO center frequency is specified at time of order (see "Ordering Information" on pg. 14). The VCSO has a guaranteed tuning range of ±120 ppm (commercial temperature grade).

Pin selectable dividers are used within the PLL and for the output clock. This enables tailoring of device functionality and performance. The FEC feedback and reference dividers (the "Mfec Divider" and "Rfec Divider") provide the multiplication ratios necessary to accommodate clock translation for both forward and inverse Forward Error Correction. The Mfec and Rfec dividers also control the phase detector frequency. The feedback divider (labeled "Mfin Divider") provides the broader division options needed to accommodate various reference clock frequencies.

For example, the M2082-11-622.0800 (see "Ordering Information" on pg. 14) has a 622.08MHz VCSO frequency:

- The FEC de-mapper PLL ratios (in Tables 6 and 7) enable the M2082-11-622.0800 to accept "base" input reference frequencies of: 666.5143 (OTU1), 669.3266 (OTU2), and 622.08MHz (OC-192).
- The Mfin feedback divider enables the actual input reference clock to be the base input frequency divided by 1, 4, 8, or 32 or 16. Therefore, for the base input frequency of 622.08MHz, the actual input reference clock frequencies can be: 622.08, 155.52, 77.76, and 19.44 or 38.88MHz. (See Tables 3 and 4 on pg. 3.)

Key to Device Variants and Look-up Table Options

Device Variant	Look-up Table Option	
	Mfin Lookup Table is:	Mfec Look-up Table is:
M2080	Table 3 (includes divider value 32)	Table 5 (FEC mapper LUT)
M2081		Table 6 (FEC de-mapper LUT)
M2082		Table 7 (FEC de-mapper LUT)
M2085	Table 4 (includes divider value 16)	Table 5 (FEC mapper LUT)
M2086		Table 6 (FEC de-mapper LUT)
M2087		Table 7 (FEC de-mapper LUT)

Table 9: Key to Device Variants and Look-up Table Options

The P divider scales the VCSO output enabling lower output frequency selections (Table 8).



The M208x Series includes a Loss of Lock (LOL) indicator, which provides status information to system management software. A Narrow Bandwidth (NBW) control pin is provided as an additional mechanism for adjusting PLL loop bandwidth without affecting the phase detector frequency.

Options are available for Hitless Switching (HS) with or without Phase Build-out (PBO). They provide SONET/SDH MTIE and TDEV compliance during a reference clock reselection.

Input Reference Clocks

Two clock reference inputs and a selection mux are provided. Either reference clock input can accept a differential clock signal (such as LVPECL or LVDS) or a single-ended clock input (LVCMOS or LVTTTL on the non-inverting input).

A single-ended reference clock on the unselected reference input can cause an increase in output clock jitter. For this reason, differential reference inputs are preferred; interference from a differential input on the non-selected input is minimal.

Configuration of a single-ended input has been facilitated by biasing nDIF_REF0 and nDEF_REF1 to Vcc/2, with 50kΩ to Vcc and 50kΩ to ground. The input clock structure, and how it is used with either LVCMOS/LVTTTL inputs or a DC-coupled LVPECL clock, is shown in Figure 4.

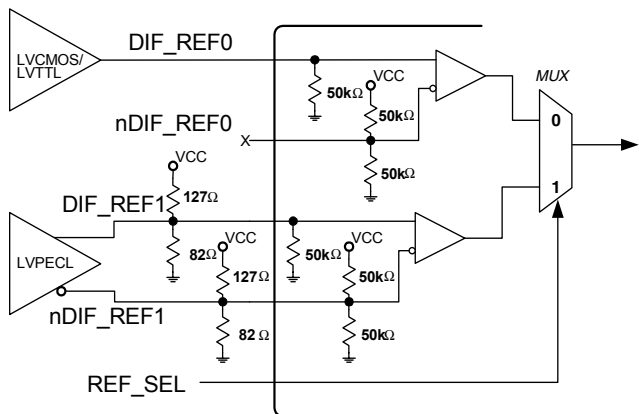


Figure 4: Input Reference Clocks

Differential Inputs

Differential LVPECL inputs are connected to both reference input pins in the usual manner. The external load termination resistors shown in Figure 4 (the 127Ω and 82Ω resistors) is ideally suited for both AC and DC coupled LVPECL reference clock lines. These provide the 50Ω load termination and the VTT bias voltage.

Single-ended Inputs

Single-ended inputs (LVCMOS or LVTTTL) are connected to the non-inverting reference input pin (DIF_REF0 or DIF_REF1). The inverting reference input pin (nDIF_REF0 or nDIF_REF1) must be left unconnected.

In single-ended operation, when the unused inverting input pin (nDIF_REF0 or nDEF_REF1) is left floating (not connected), the input will self-bias at VCC/2.

PLL Operation

The M2080/81/82 and M2085/86/87 are complete clock PLLs. They use a phase detector and configurable dividers to synchronize the output of the VCSO with the selected reference clock.

The M208x Series components are similar to the M2060 Series components except that the M208x Series includes the selectable AutoSwitch feature. The M208x Series also has only one clock output, as the AutoSwitch control pins replace of the second output.

The PLL will work correctly, meaning it will phase-lock the VCSO output to the input reference clock, when the internal phase detector inputs are able to run at the same frequency. This means the PLL dividers must be set appropriately and a suitable reference frequency must be chosen for the intended output frequency. When the PLL is not set up appropriately, the VCSO is forced to its upper or lower operating limit which is typically about 200 ppm above or below the VCSO center frequency. See “APR, VCSO Absolute Pull-Range” row, in the AC Characteristics table on pg. 12.

In normal phase-locked condition, the instantaneous phase error is measured by the phase detector and is converted to charge pump current pulses. These current pulses are then integrated by the external loop filter to create a VCSO control voltage. The loop filter acts as a low pass filter to remove unwanted reference clock jitter above a determined frequency or PLL bandwidth. For reference phase jitter frequencies within the loop bandwidth, phase jitter amplitude is passed on to the output clock according to the PLL loop frequency response curve.



The relationship between the nominal VCSO center frequency (Fvcso), the Mfin divider, the Mfec divider, the Rfec divider, and the input reference frequency (Fin) is:

$$F_{vcso} = F_{in} \times M_{fin} \times \frac{M_{fec}}{R_{fec}}$$

The Mfec, Rfec, and Mfin dividers can be set by pin configuration using the input pins FEC_SEL1, FEC_SEL0, FIN_SEL1, and FIN_SEL0.

Post-PLL Divider

The M2080/81/82 and M2085/86/87 also feature a post-PLL (P) divider.

Through use of the P divider, the device's output frequency (Fout) can be that of the VCSO (such as 622.08MHz) or the VCSO frequency divided by 4, 8 or 32 (common optical reference clocks in SONET and SDH systems).

The P_SEL2:0 pins select the value for the P divider. (See Table 8 on pg. 4.)

Accounting for the P divider, the complete relationship between the input clock reference frequency (Fin) and output clock frequency (Fout) is defined as:

$$F_{out} = \frac{F_{vcso}}{P} = F_{in} \times \frac{M_{fin} \times M_{fec}}{R_{fec} \times P}$$

Due to the narrow tuning range of the VCSO (± 120 ppm guaranteed), appropriate selection of all of the following are required for the PLL be able to lock: VCSO center frequency, input frequency, and divider selections.

TriState

The TriState feature puts the LVPECL output driver into a high impedance state, effectively disconnecting the driver from the FOUT and nFOUT pins of the device. In TriState, the M208x Series is not driving the output clock net with a defined logic level. The impedance of the clock net is then set to 50 Ω by the external circuit resistors. The 50 Ω impedance level of the LVPECL TriState allows manufacturing In-circuit Test to drive the clock net with an external LVPECL source to validate the integrity of clock net and the clock load.

Any unused output (single-ended or differential) should be left unconnected (floating) in system application. This minimizes output switching current and therefore minimizes noise modulation of the VCSO.

Loss of Lock Indicator (LOL) Output Pin

Under normal device operation, when the PLL is locked, the LOL Phase Detector drives LOL to logic 0. Under circumstances when the VCSO cannot fully phase lock to the input (as measured by a greater than 4 ns discrepancy between the feedback and reference clock rising edges at the LOL Phase Detector) the LOL output goes to logic 1. The LOL pin will return back to logic 0 when the phase detector error is less than 2 ns. The loss of lock indicator is a low current LVCMOS output.

Guidelines for Using LOL

In a given application, the magnitude of peak-to-peak jitter at the phase detector will usually increase as the Rfec divider is increased. If the LOL pin will be used to detect an unusual clock condition, or a clock fault, the FEC_SEL1:0 pins should be set to provide a phase detector frequency of 5MHz or greater (the phase detector frequency is equal to Fin divided by the Rfec divider). Otherwise, false LOL indications may result. A phase detector frequency of 10MHz or greater is desirable when reference jitter is over 500ps, or when the device is used within a noisy system environment. LOL should not be used when the device is used in a loop timing application.



AutoSwitch (AUTO) Reference Clock Reselection

This device offers an automatic reference clock reselection feature for switching input reference clocks upon a reference clock failure. With the AUTO input pin set to high and the LOL output low, the device is placed into automatic reselection (AutoSwitch) mode. Once in AutoSwitch mode, when LOL then goes high (due to a reference clock fault), the input clock reference is automatically reselected internally, as indicated by the state change of the REF_ACK output. Automatic clock reselection is made only once (it is non-revertive). Re-arming of automatic mode requires placing the device into manual selection (Manual Select) mode (AUTO pin low) before returning to AutoSwitch mode (AUTO pin high).

Using the AutoSwitch Feature

See also Table 10, Example AutoSwitch Sequence.

In application, the system is powered up with the device in Manual Select mode (AUTO pin is set low), allowing sufficient time for the reference clock and device PLL to settle. The REF_SEL input selects the reference clock to be used in Manual Select mode and the initial reference clock used in AutoSwitch mode. The REF_SEL input state must be maintained when switching to AutoSwitch mode (AUTO pin high) and must still be maintained until a reference fault occurs.

Once a reference fault occurs, the LOL output goes high and the input reference is automatically reselected. The

REF_ACK output always indicates the reference selection status and the LOL output always indicates the PLL lock status.

A successful automatic reselection is indicated by a change of state of the REF_ACK output and a momentary level high of the LOL output (minimum high time is 10 ns).

If an automatic reselection is made to a non-valid reference clock (one to which the PLL cannot lock), the REF_ACK output will change state but the LOL output will remain high.

No further automatic reselection is made; only one reselection is made each time the AutoSwitch mode is armed. AutoSwitch mode is re-armed by placing the device into Manual Select mode (AUTO pin low) and then into AutoSwitch mode again (AUTO pin high).

Following an automatic reselection and prior to selecting Manual Select mode (AUTO pin low), the REF_SEL pin has no control of reference selection. To prevent an unintentional reference reselection, AutoSwitch mode must not be re-enabled until the desired state of the REF_SEL pin is set and the LOL output is low. It is recommended to delay the re-arming of AutoSwitch mode, following an automatic reselection, to ensure the PLL is fully locked on the new reference. In most system configurations, where loop bandwidth is in the range of 100-1000 Hz and damping factor below 10, a delay of 500 ms should be sufficient. Until the PLL is fully locked intermittent LOL pulses may occur.

Example AutoSwitch Sequence

0 = Low; 1 = High. Example with REF_SEL initially set to 0 (i.e., DIF_REF0 selected)

REF_SEL Input	Selected Clock Input	REF_ACK Output	AUTO Input	LOL Output	Conditions
Initialization					
0	DIF_REF0	0	0	1	Device power-up. Manual Select mode. DIF_REF0 input selected reference, not yet locked to.
0	DIF_REF0	0	0	-0-	LOL to 0: Device locked to reference (may get intermittent LOL pulses until fully locked).
0	DIF_REF0	0	-1-	0	AUTO set to 1: Device placed in AutoSwitch mode (with DIF_REF0 as initial reference clock).
Operation & Activation					
0	DIF_REF0	0	1	0	Normal operation with AutoSwitch mode armed, with DIF_REF0 as initial reference clock.
0	DIF_REF0	0	1	-1-	LOL to 1: Clock fault on DIF_REF0, loss of lock indicated by LOL pin, ...
0	-DIF_REF1-	-1-	1	1	... and immediate automatic reselection to DIF_REF1 (indicated by REF_ACK pin).
0	DIF_REF1	1	1	-0-	LOL to 0: Device locks to DIF_REF1 (assuming valid clock on DIF_REF1).
Re-initialization					
-1-	DIF_REF1	1	1	0	REF_SEL set to 1: Prepares for Manual Selection of DIF_REF1 before then re-arming AutoSwitch.
1	DIF_REF1	1	-0-	0	AUTO set to 0: Manual Select mode entered briefly, manually selecting DIF_REF1 as reference.
1	DIF_REF1	1	-1-	0	AUTO set to 1: Device is placed in AutoSwitch mode (delay recommended to ensure device fully locked), re-initializing AutoSwitch with DIF_REF1 now specified as the initial reference clock.

Table 10: Example AutoSwitch Sequence



Optional Hitless Switching and Phase Build-out

The M208x Series is available with a Hitless Switching feature that is enabled during device manufacturing. In addition, a Phase Build-out feature is also offered. These features are offered as device options and are specified by device order code. Refer to "Ordering Information" on pg. 14.

The Hitless Switching feature (with or without Phase Build-out) is designed for applications where switching occurs between two stable system reference clocks. It should not be used in loop timing applications, or when reference clock jitter is greater than 1 ns pk-pk. The Hitless Switching sequence is triggered by the LOL circuit, which is activated by a 4 ns phase transient. This magnitude of phase transient can be generated by the CDR (Clock & Data Recovery unit) in loop timing mode, especially during a system jitter tolerance test. It can also be generated by some types of Stratum clock DPLLs (digital PLL), especially those that do not include a post de-jitter APLL (analog PLL).

When the M208x Series is operating in wide bandwidth mode (NBW=0), the optional Hitless Switching function puts the device into narrow bandwidth mode when during the Hitless Switching sequence. This allows the PLL to lock the new input clock phase gradually. With proper configuration of the external loop filter, the output clock phase change complies with MTIE and TDEV specifications for GR-253 (SONET) and ITU G.813 (SDH) during input reference clock changes.

The optional proprietary Phase Build-out (PBO) function enables the PLL to absorb most of the phase change of the input clock during reference switching. The PBO function selects a new VCSO clock edge for the PLL Phase Detector feedback clock, selecting the edge closest in phase to the new input clock phase. This reduces re-lock time, the generation of wander, and extra output clock cycles.

The Hitless Switching and Phase Build-out functions are triggered by the LOL circuit. For proper operation, a low phase detector frequency must be avoided. See "Guidelines for Using LOL" on pg. 6 for information regarding the phase detector frequency.

HS/PBO Sequence Trigger Mechanism

The HS function (or the combined HS/PBO function) is armed after the device locks to the input clock reference. Once armed, HS is triggered by the occurrence of a Loss of Lock condition. This would typically occur as a consequence of a clock reference failure, a clock failure upstream to the M208x Series, or a M208x Series clock reference mux reselection.

HS/PBO Operation

Once triggered, the following HS/PBO sequence occurs:

1. The HS function disables the PLL Phase Detector and puts the device into NBW (narrow bandwidth) mode. The internal resistor R_{in} is changed to 2100k Ω . See the Narrow Bandwidth (NBW) Control Pin on pg. 8.
2. If included, the PBO function adds to (builds out) the phase in the clock feedback path (in VCSO clock cycle increments) to align the feedback clock with the (new) reference clock input phase.
3. The PLL Phase Detector is enabled, allowing the PLL to re-lock.
4. Once the PLL Phase Detector feedback and input clocks are locked to within 2 nsec for 8 consecutive cycles, a timer (WBW timer) for resuming wide bandwidth (in 175 nsec) is started.
5. When the WBW timer times out, the device reverts to wide loop bandwidth mode (i.e., R_{in} is returned to 100k Ω) and the HS/PBO function is re-armed.

The LOL pin will indicate lock status on a cycle-to-cycle basis and may be intermittent until PLL phase lock has fully stabilized.

Narrow Bandwidth (NBW) Control Pin

A Narrow Loop Bandwidth control pin (NBW pin) is included to enable adjustment of the PLL loop bandwidth. In wide bandwidth mode (NBW=0), the internal resistor R_{in} is 100k Ω . With the NBW pin asserted (NBW=1), the internal resistor R_{in} is changed to 2100k Ω . This lowers the loop bandwidth by a factor of about 21 (2100 / 100) and lowers the damping factor by about 4.6 (the square root of 21), assuming the same external loop filter component values.



External Loop Filter

To provide stable PLL operation, the M2080/81/82 requires the use of an external loop filter. This is provided via the provided filter pins (see Figure 5). The loop filter is implemented as a differential circuit to minimize system noise interference.

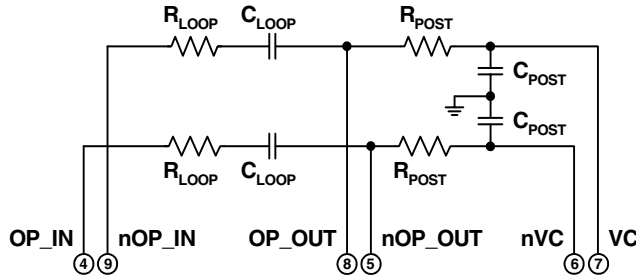


Figure 5: External Loop Filter

PLL bandwidth is affected by loop filter component values, “Mfec” and “Mfin” values, and the “PLL Loop Constants” listed in AC Characteristics on pg. 12.

The FEC_SEL setting can be used to actively change PLL loop bandwidth in a given application. See “Mfec and Rfec Divider Look-Up Tables (LUTs)” on pg. 3.

See Table 11, Example Values for Loop Filter External Components, below.

Example Values for Loop Filter External Components ¹ for Particular M208x Series Devices

VCSO Parameters: $K_{VCO} = 800\text{kHz/V}$, $R_{IN} = 100\text{k}\Omega$ (pin NBW = 0), VCSO Bandwidth = 700kHz.

Device	Device Configuration				Example External Component Values				Nominal Performance With These Values		
	F_{Ref} (MHz)	F_{VCSO} (MHz)	FIN_SEL 1:0	MRSEL 1:0	R loop	C loop	R post	C post	PLL Loop Bandwidth	Damping Factor	Passband Peaking (dB)
M2080, M2080	622.08	622.08	1 1	0 1	5.6k Ω	10 μ F	68k Ω	470pF	530Hz	6.5	0.05
M2080, M2085	155.52	669.3266	1 0	1 0	243.0k Ω	0.1 μ F	34k Ω	470pF	1kHz	5.9	0.06
M2081, M2086	77.76	622.08	0 1	0 1	8.2k Ω	10 μ F	100k Ω	470pF	360Hz	6.5	0.05
M2081	19.44	622.08	0 0	1 1	8.2k Ω	10 μ F	100k Ω	470pF	360Hz	6.5	0.05

Table 11: Example Values for Loop Filter External Components

Note 1: K_{VCO} , VCSO Bandwidth, M Divider Value, and External Loop Filter Component Values determine Loop Bandwidth, Damping Factor, and Passband Peaking. For PLL Simulator software, go to www.icst.com.

Refer to the M208x Series product web page at www.icst.com/products/summary/m2080-2087.htm for additional product information.



ABSOLUTE MAXIMUM RATINGS¹

Symbol	Parameter	Rating	Unit
V _I	Inputs	-0.5 to V _{CC} +0.5	V
V _O	Outputs	-0.5 to V _{CC} +0.5	V
V _{CC}	Power Supply Voltage	4.6	V
T _S	Storage Temperature	-45 to +100	°C

Table 12: Absolute Maximum Ratings

Note 1: Stresses beyond those listed under Absolute Maximum Ratings may cause permanent damage to the device. These ratings are stress specifications only. Functional operation of product at these conditions or any conditions beyond those listed in Recommended Conditions of Operation, DC Characteristics, or AC Characteristics is not implied. Exposure to absolute maximum rating conditions for extended periods may affect product reliability.

RECOMMENDED CONDITIONS OF OPERATION

Symbol	Parameter	Min	Typ	Max	Unit
V _{CC}	Positive Supply Voltage	3.135	3.3	3.465	V
T _A	Ambient Operating Temperature	Commercial	0	+70	°C
		Industrial	-40	+85	°C

Table 13: Recommended Conditions of Operation



ELECTRICAL SPECIFICATIONS

DC Characteristics

Unless stated otherwise, $V_{CC} = 3.3V \pm 5\%$, $T_A = 0^\circ C$ to $+70^\circ C$ (commercial), $T_A = -40^\circ C$ to $+85^\circ C$ (industrial), $F_{VCSO} = F_{OUT} = 622-675MHz$, LVPECL outputs terminated with 50Ω to $V_{CC} - 2V$

	Symbol	Parameter		Min	Typ	Max	Unit	Conditions
Power Supply	V_{CC}	Positive Supply Voltage		3.135	3.3	3.465	V	
	I_{CC}	Power Supply Current			175	225	mA	
All Differential Inputs	V_{P-P}	Peak to Peak Input Voltage		0.15			V	
	V_{CMR}	Common Mode Input	DIF_REF0, nDIF_REF0, DIF_REF1, nDIF_REF1	0.5		$V_{CC} - .85$	V	
	C_{IN}	Input Capacitance				4	pF	
Differential Inputs with Pull-down	I_{IH}	Input High Current (Pull-down)				150	μA	$V_{CC} = V_{IN} = 3.456V$
	I_{IL}	Input Low Current (Pull-down)	DIF_REF0, DIF_REF1	-5			μA	
	$R_{pulldown}$	Internal Pull-down Resistance			50		k Ω	
Differential Inputs Biased to $V_{CC}/2$ ¹	I_{IH}	Input High Current (Biased) ¹				150	μA	$V_{IN} = 0$ to $3.456V$
	I_{IL}	Input Low Current (Biased) ¹	nDIF_REF0, nDIF_REF1	-150			μA	
	R_{bias}	Biased to $V_{CC}/2$ ¹			(Note 1)		k Ω	
All LVCMOS / LVTTTL Inputs	V_{IH}	Input High Voltage	AUTO, REF_SEL, FIN_SEL1, FIN_SEL0, FEC_SEL1,	2		$V_{CC} + 0.3$	V	
	V_{IL}	Input Low Voltage	FEC_SEL0, P_SEL2, P_SEL1,	-0.3		0.8	V	
	C_{IN}	Input Capacitance	P_SEL0, NBW			4	pF	
LVCMOS / LVTTTL Inputs with Pull-down	I_{IH}	Input High Current (Pull-down)	AUTO, REF_SEL, FIN_SEL1, FIN_SEL0, FEC_SEL1,			150	μA	$V_{CC} = V_{IN} = 3.456V$
	I_{IL}	Input Low Current (Pull-down)	FEC_SEL0, P_SEL2, P_SEL1,	-5			μA	
	$R_{pulldown}$	Internal Pull-down Resistance	P_SEL0		50		k Ω	
LVCMOS / LVTTTL Inputs with Pull-UP	I_{IH}	Input High Current (Pull-UP)				5	μA	$V_{CC} = 3.456V$ $V_{IN} = 0V$
	I_{IL}	Input Low Current (Pull-UP)	NBW	-150			μA	
	R_{pullup}	Internal Pull-UP Resistance			50		k Ω	
Differential Output	V_{OH}	Output High Voltage		$V_{CC} - 1.4$		$V_{CC} - 1.0$	V	
	V_{OL}	Output Low Voltage	FOUT, nFOUT	$V_{CC} - 2.0$		$V_{CC} - 1.7$	V	
	V_{P-P}	Peak to Peak Output Voltage ²		0.4		0.85	V	
LVCMOS Outputs	V_{OH}	Output High Voltage	LOL, REF_ACK	2.4		V_{CC}	V	$I_{OH} = 1mA$
	V_{OL}	Output Low Voltage		GND		0.4	V	$I_{OL} = 1mA$

Note 1: Biased to $V_{CC}/2$, with $50k\Omega$ to V_{CC} and $50k\Omega$ to ground. See Figure 4, Input Reference Clocks, on pg. 5
Note 2: Single-ended measurement. See Figure 6, Output Rise and Fall Time, on pg. 12.

Table 14: DC Characteristics



ELECTRICAL SPECIFICATIONS (CONTINUED)

AC Characteristics

Unless stated otherwise, $V_{CC} = 3.3V \pm 5\%$, $T_A = 0^\circ C$ to $+70^\circ C$ (commercial), $T_A = -40^\circ C$ to $+85^\circ C$ (industrial), $F_{VCSO} = F_{OUT} = 622\text{-}675\text{MHz}$, LVPECL outputs terminated with 50Ω to $V_{CC} - 2V$

Symbol	Parameter		Min	Typ	Max	Unit	Conditions	
F_{IN}	Input Frequency	DIF_REF0, nDIF_REF0, DIF_REF1, nDIF_REF1	10		700	MHz		
F_{OUT}	Output Frequency	FOUT, nFOUT	15		700	MHz		
APR	VCSSO Absolute Pull-Range	Commercial	± 120	± 200		ppm		
		Industrial	± 50	± 150		ppm		
PLL Loop Constants ¹	K_{VCO}	VCO Gain		800		kHz/V		
	R_{IN}	Internal Loop Resistor	Wide Bandwidth		100		k Ω	
			Narrow Bandwidth		2100		k Ω	
BW_{VCSO}	VCSSO Bandwidth			700		kHz		
Phase Noise and Jitter	Φ_n	Single Side Band Phase Noise @ 622.08MHz	1kHz Offset		-73		dBc/Hz	$F_{in}=19.44$ or 38.88 MHz $M_{fin}=32$ or 16 , $M_{fec}=R_{fec}$
			10kHz Offset		-103		dBc/Hz	
			100kHz Offset		-126		dBc/Hz	
J(t)	Jitter (rms) @ 622.08MHz	12kHz to 20MHz		0.25	0.5	ps		
		50kHz to 80MHz		0.25	0.5	ps		
odc	Output Duty Cycle ² FOUT, nFOUT	P = 4, 8, or 32	45	50	55	%		
		P = 1	40	50	60	%		
t_R	Output Rise Time ²	FOUT, nFOUT	200	450	500	ps	20% to 80%	
t_F	Output Fall Time ²		200	450	500	ps	20% to 80%	

Table 15: AC Characteristics

Note 1: Parameters needed for PLL Simulator software; see Table 11, Example Values for Loop Filter External Components, on pg. 9.

Note 2: See Parameter Measurement Information on pg. 12.

PARAMETER MEASUREMENT INFORMATION

Output Rise and Fall Time

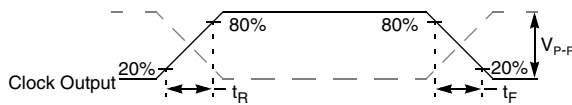


Figure 6: Output Rise and Fall Time

Output Duty Cycle

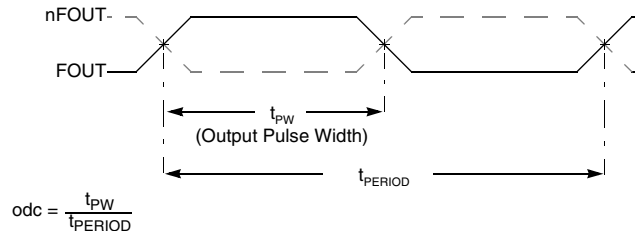
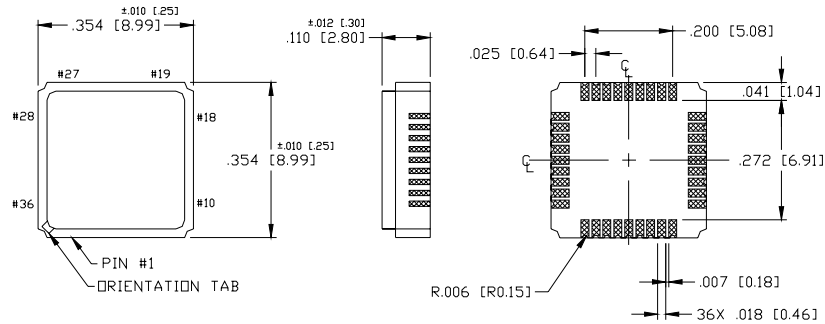


Figure 7: Output Duty Cycle



DEVICE PACKAGE - 9 x 9mm CERAMIC LEADLESS CHIP CARRIER

Mechanical Dimensions:



Refer to the M208x Series product web page at www.icst.com/products/summary/m2080-2087.htm for recommended PCB footprint, solder mask, furnace profile, and related information.

NOTES:

1. DIMENSIONS ARE IN INCHES, DIMENSIONS IN [] ARE MM.
2. UNLESS OTHERWISE SPECIFIED ALL DIMENSIONS ARE ±.005 [0.13]

Figure 8: Device Package - 9 x 9mm Ceramic Leadless Chip Carrier



ORDERING INFORMATION

Part Numbering Scheme

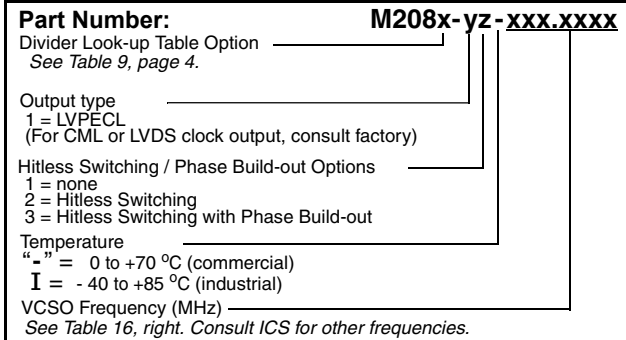


Figure 9: Part Numbering Scheme

Consult ICS for the availability of other VCSO frequencies.

Note *: Fout can equal Fvco divided by: 1, 4, 8, or 32.

Standard VCSO Output Frequencies (MHz)*

622.0800	669.3120
625.0000	669.3266
627.3296	669.6429
644.5313	670.8386
666.5143	672.1600
669.1281	690.5692

Table 16: Standard VCSO Output Frequencies

Example Part Numbers

VCSO Frequency (MHz)	Temperature	Order Part Number (Examples)
622.0800	commercial	M2081-11-622.0800 or M2082-11-622.0800
	industrial	M2081-11I622.0800 or M2082-11I622.0800
669.3266	commercial	M2080-11-669.3266 or M2085-11-669.3266
	industrial	M2080-11I669.3266 or M2085-11I669.3266

Table 17: Example Part Numbers

While the information presented herein has been checked for both accuracy and reliability, Integrated Circuit Systems (ICS) assumes no responsibility for either its use or for the infringement of any patents or other rights of third parties, which would result from its use. No other circuits, patents, or licenses are implied. This product is intended for use in normal commercial applications. Any other applications such as those requiring extended temperature range, high reliability, or other extraordinary environmental requirements are not recommended without additional processing by ICS. ICS reserves the right to change any circuitry or specifications without notice. ICS does not authorize or warrant any ICS product for use in life support devices or critical medical instruments.

This datasheet has been downloaded from:

www.DatasheetCatalog.com

Datasheets for electronic components.