

LP3470

Tiny Power On Reset Circuit

General Description

The LP3470 is a micropower CMOS voltage supervisory circuit designed to monitor power supplies in microprocessor (μP) and other digital systems. It provides maximum adjustability for power-on-reset (POR) and supervisory functions. It is available in the following six standard reset threshold voltage (V_{RTH}) options: 2.63V, 2.93V, 3.08V, 3.65V, 4.00V, 4.38V, and 4.63V. If other voltage options between 2.4V and 5.0V are desired please contact your National Semiconductor representative.

The LP3470 asserts a reset signal whenever the V_{CC} supply voltage falls below a reset threshold. The reset time-out period is adjustable using an external capacitor. Reset remains asserted for an interval (programmed by an external capacitor) after V_{CC} has risen above the threshold voltage.

The device is available in the tiny SOT23-5 package.

Key Specifications

- $\pm 1\%$ Reset Threshold Accuracy Over Temperature
- Standard Reset Threshold Voltages: 2.63V, 2.93V, 3.08V, 3.65V, 4.00V, 4.38V, and 4.63V

- Custom Reset Threshold Voltages: For other voltages between 2.4V and 5.0V contact your National Semiconductor representative
- Very Low Quiescent Current (16 μA typical)
- Guaranteed Reset valid down to $V_{\text{CC}}=0.5\text{V}$

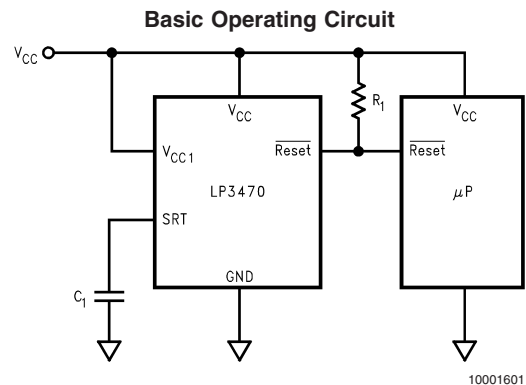
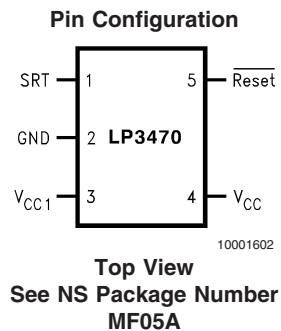
Features

- Tiny SOT23-5 Package
- Open Drain Reset Output
- Programmable Reset Timeout Period Using an External Capacitor
- Immune to Short V_{CC} Transients

Applications

- Critical μP and μC Power Monitoring
- Intelligent Instruments
- Computers
- Portable/Battery-Powered Equipments

Pin Configuration and Basic Operating Circuit



Ordering Information

Operating Temperature Range	Order Number	Nominal V_{RTH} (V)	Package Marking	Package Type	Supplied As
-20°C to +85°C	LP3470M5-2.63	2.63	D25B	SOT23-5	1000 Units on Tape and Reel
	LP3470M5X-2.63	2.63	D25B	SOT23-5	3000 Units on Tape and Reel
	LP3470M5-2.93	2.93	D26B	SOT23-5	1000 Units on Tape and Reel
	LP3470M5X-2.93	2.93	D26B	SOT23-5	3000 Units on Tape and Reel
	LP3470M5-3.08	3.08	D28B	SOT23-5	1000 Units on Tape and Reel
	LP3470M5X-3.08	3.08	D28B	SOT23-5	3000 Units on Tape and Reel
	LP3470M5-3.65	3.65	D37B	SOT23-5	1000 Units on Tape and Reel
	LP3470M5X-3.65	3.65	D37B	SOT23-5	3000 Units on Tape and Reel
	LP3470M5-4.00	4.00	D29B	SOT23-5	1000 Units on Tape and Reel
	LP3470M5X-4.00	4.00	D29B	SOT23-5	3000 Units on Tape and Reel
	LP3470M5-4.38	4.38	D30B	SOT23-5	1000 Units on Tape and Reel
	LP3470M5X-4.38	4.38	D30B	SOT23-5	3000 Units on Tape and Reel
	LP3470M5-4.63	4.63	D31B	SOT23-5	1000 Units on Tape and Reel
	LP3470M5X-4.63	4.63	D31B	SOT23-5	3000 Units on Tape and Reel
-40°C to +85°C	LP3470IM5-2.63	2.63	D25C	SOT23-5	1000 Units on Tape and Reel
	LP3470IM5X-2.63	2.63	D25C	SOT23-5	3000 Units on Tape and Reel
	LP3470IM5-2.93	2.93	D26C	SOT23-5	1000 Units on Tape and Reel
	LP3470IM5X-2.93	2.93	D26C	SOT23-5	3000 Units on Tape and Reel
	LP3470IM5-3.08	3.08	D28C	SOT23-5	1000 Units on Tape and Reel
	LP3470IM5X-3.08	3.08	D28C	SOT23-5	3000 Units on Tape and Reel
	LP3470IM5-3.65	3.65	D37C	SOT23-5	1000 Units on Tape and Reel
	LP3470IM5X-3.65	3.65	D37C	SOT23-5	3000 Units on Tape and Reel
	LP3470IM5-4.00	4.00	D29C	SOT23-5	1000 Units on Tape and Reel
	LP3470IM5X-4.00	4.00	D29C	SOT23-5	3000 Units on Tape and Reel
	LP3470IM5-4.38	4.38	D30C	SOT23-5	1000 Units on Tape and Reel
	LP3470IM5X-4.38	4.38	D30C	SOT23-5	3000 Units on Tape and Reel
	LP3470IM5-4.63	4.63	D31C	SOT23-5	1000 Units on Tape and Reel
	LP3470IM5X-4.63	4.63	D31C	SOT23-5	3000 Units on Tape and Reel

Absolute Maximum Ratings (Note 1)

If Military/Aerospace specified devices are required, please contact the National Semiconductor Sales Office/Distributors for availability and specifications.

V_{CC} Voltage	-0.3V to +6V
Reset Voltage	-0.3V to +6V
Output Current ($\overline{\text{Reset}}$)	10 mA
Operating Temperature Range LP3470	-20°C to +85°C

LP3470I	-40°C to +85°C
Junction Temperature (T_{Jmax})	125°C
Power Dissipation ($T_A = 25^\circ\text{C}$) (Note 2)	300 mW
θ_{JA} (Note 2)	280°C/W
Storage Temp. Range	-65°C to +150°C
Lead Temp. (Soldering, 5 sec)	260°C
ESD Rating (Note 3)	2 kV

Electrical Characteristics

Limits in standard typeface are for $T_J = 25^\circ\text{C}$, and limits in **boldface** type apply over the full operating temperature range, unless otherwise specified. $V_{CC} = +2.4\text{V}$ to $+5.0\text{V}$ unless otherwise noted.

Symbol	Parameter	Conditions	Typ (Note 4)	Min (Note 5)	Max (Note 5)	Units
V_{CC}	Operating Voltage Range			0.5	5.5	V
I_{CC}	V_{CC} Supply Current	$V_{CC} = 4.5\text{V}$	16		30	μA
V_{RTH}	Reset Threshold Voltage (Note 6)	LP3470	V_{RTH}	0.99 V_{RTH} 0.99 V_{RTH}	1.01 V_{RTH} 1.01 V_{RTH}	V
		LP3470I	V_{RTH}	0.99 V_{RTH} 0.985 V_{RTH}	1.01 V_{RTH} 1.015 V_{RTH}	
V_{HYST}	Hysteresis Voltage (Note 7)		35	15	65	mV
t_{PD}	V_{CC} to Reset Delay	V_{CC} falling at 1 mV/ μs	100		300	μs
t_{RP}	Reset Timeout Period (Note 8)	$C_1 = 1\text{ nF}$	2	1.0	3.5	ms
V_{OL}	Reset Output Voltage Low	$V_{CC} = 0.5\text{V}; I_{OL} = 30\text{ }\mu\text{A}$			0.1	V
		$V_{CC} = 1.0\text{V}; I_{OL} = 100\text{ }\mu\text{A}$			0.1	
		$V_{CC} = V_{RTH} - 100\text{ mV}; I_{OL} = 4\text{ mA}$			0.4	
R_1	External Pull-up Resistor		20	0.68	68	k Ω
I_{LEAK}	Reset Output Leakage Current		0.15		1 6	μA

Note 1: Absolute Maximum Ratings indicate limits beyond which damage to the device may occur. Electrical specifications do not apply when operating the device beyond its operating conditions.

Note 2: The maximum power dissipation must be derated at elevated temperatures and is dictated by T_{Jmax} (Maximum Junction Temperature), θ_{JA} (Junction to Ambient Thermal Resistance), and T_A (Ambient Temperature). The maximum allowable power dissipation at any temperature is $P_{Dmax} = (T_{Jmax} - T_A) / \theta_{JA}$ or the number given in the Absolute Maximum Ratings, whichever is lower.

Note 3: The Human Body Model is a 100 pF capacitor discharged through a 1.5 k Ω resistor into each pin.

Note 4: Typical numbers are at 25°C and represent the most likely parametric norm.

Note 5: Min. and Max. limits in standard typeface are 100% production tested at 25°C. Min. and Max. limits in boldface are guaranteed through correlation using Statistical Quality Control (SQC) methods. The limits are used to calculate National's Average Outgoing Quality Level (AOQL).

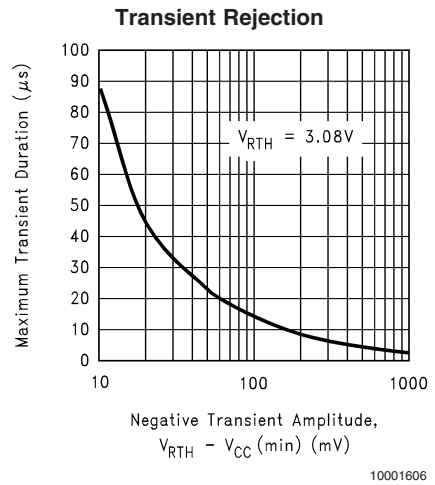
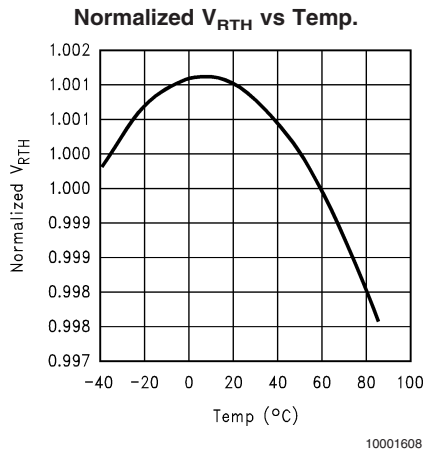
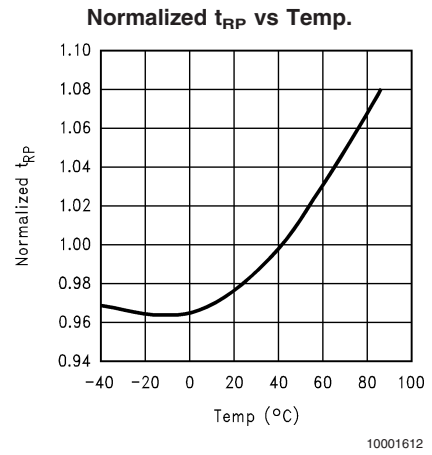
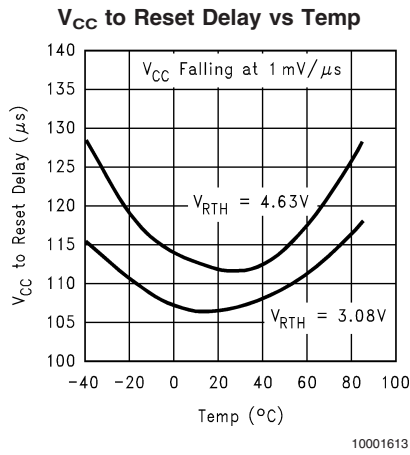
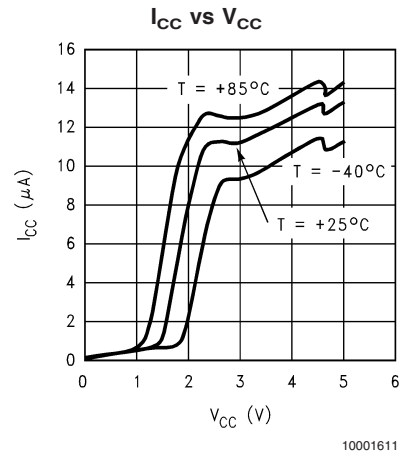
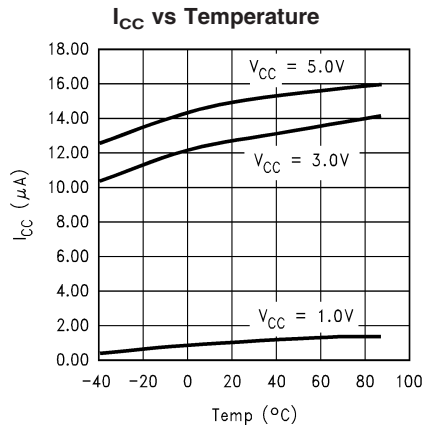
Note 6: Factory-trimmed reset thresholds are available in 50 mV increments from 2.4V to 5.0V. Contact your National Semiconductor representative.

Note 7: V_{HYST} affects the relation between V_{CC} and $\overline{\text{Reset}}$ as shown in the timing diagram.

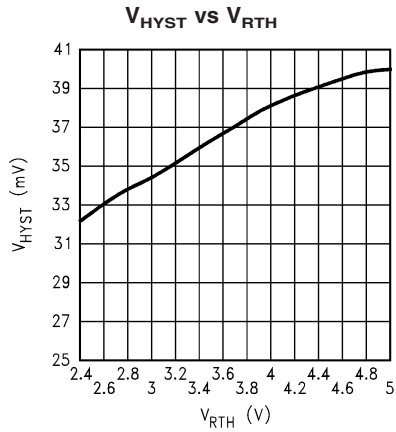
Note 8: t_{RP} is programmable by varying the value of the external capacitor (C_1) connected to pin SRT. The equation is: $t_{RP} = 2000 \times C_1$ (C_1 in μF and t_{RP} in ms).

Typical Operating Characteristics

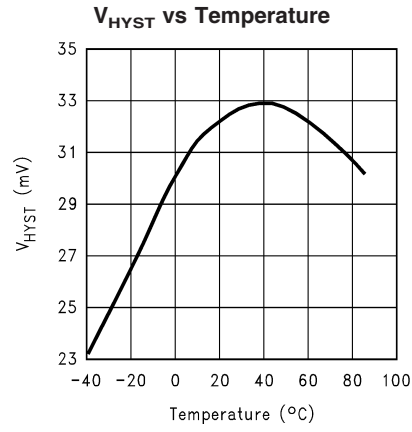
$T_A = +25^\circ\text{C}$, unless otherwise specified.



Typical Operating Characteristics $T_A = +25^\circ\text{C}$, unless otherwise specified. (Continued)



10001614

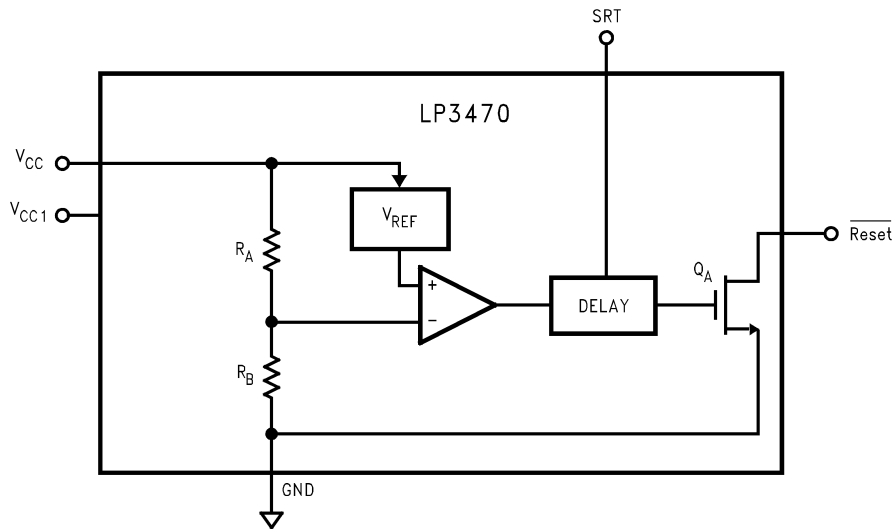


10001609

Pin Description

Pin	Name	Function
1	SRT	Set Reset Time-out Input. Connect a capacitor between this input and ground to select the Reset Time-out period (t_{RP}). $t_{RP} = 2000 \times C_1$ (C_1 in μF and t_{RP} in ms). If no capacitor is connected, leave this pin floating.
2	GND	Ground pin.
3	V _{CC1}	Always connect to pin V _{CC} (Pin 4).
4	V _{CC}	Supply voltage, and reset threshold monitor input.
5	Reset	Open-Drain, Active-Low reset output. Connect to an external pull-up resistor. $\overline{\text{Reset}}$ changes from high to low whenever the monitored voltage (V _{CC}) drops below the reset threshold voltage (V _{RTH}). Once V _{CC} exceeds V _{RTH} , $\overline{\text{Reset}}$ remains low for the reset timeout period (t_{RP}) and then goes high.

Functional Block Diagram



10001603

Application Information

RESET TIMEOUT PERIOD

The Reset Timeout Period (t_{RP}) is programmable using an external capacitor (C_1) connected to pin SRT of LP3470. A Ceramic chip capacitor rated at or above 10V is sufficient. The Reset Timeout Period (t_{RP}) can be calculated using the following formula:

$$t_{RP} \text{ (ms)} = 2000 \times C_1 \text{ (\mu F)}$$

For example a C_1 of 100 nF will achieve a t_{RP} of 200 ms. If no delay due to t_{RP} is needed in a certain application, the pin SRT should be left floating.

RESET OUTPUT

In applications like microprocessor (μP) systems, errors might occur in system operation during power-up, power-down, or brownout conditions. It is imperative to monitor the power supply voltage in order to prevent these errors from occurring.

The LP3470 asserts a reset signal whenever the V_{CC} supply voltage is below a threshold (V_{RTH}) voltage. Reset is guaranteed to be a logic low for $V_{CC} > 0.5V$. Once V_{CC} exceeds the reset threshold, the reset is kept asserted for a time period (t_{RP}) programmed by an external capacitor (C_1); after this interval Reset goes to logic high. If a brownout condition occurs (monitored voltage falls below the reset threshold minus a small hysteresis), $\overline{\text{Reset}}$ goes low. When V_{CC} re-

turns above the reset threshold, $\overline{\text{Reset}}$ remains low for a time period t_{RP} before going to logic high.

PULL-UP RESISTOR SELECTION

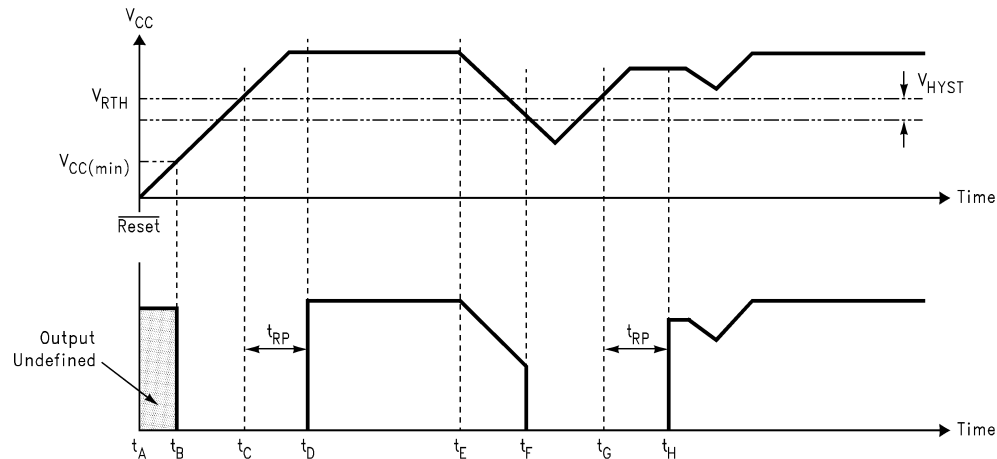
The LP3470's $\overline{\text{Reset}}$ output structure is a simple open-drain N-channel MOSFET switch. A pull-up resistor (R_1) should be connected to V_{CC} .

R_1 should be large enough to limit the current through the output MOSFET (Q_1) below 10 mA. A resistor value of more than 680Ω guarantees this. R_1 should also be small enough to ensure a logic high while supplying all the leakage current through the $\overline{\text{Reset}}$ pin. A resistor value of less than $68k\Omega$ satisfies this condition. A typical pull-up resistor value of $20k\Omega$ is sufficient in most applications.

NEGATIVE-GOING V_{CC} TRANSIENTS

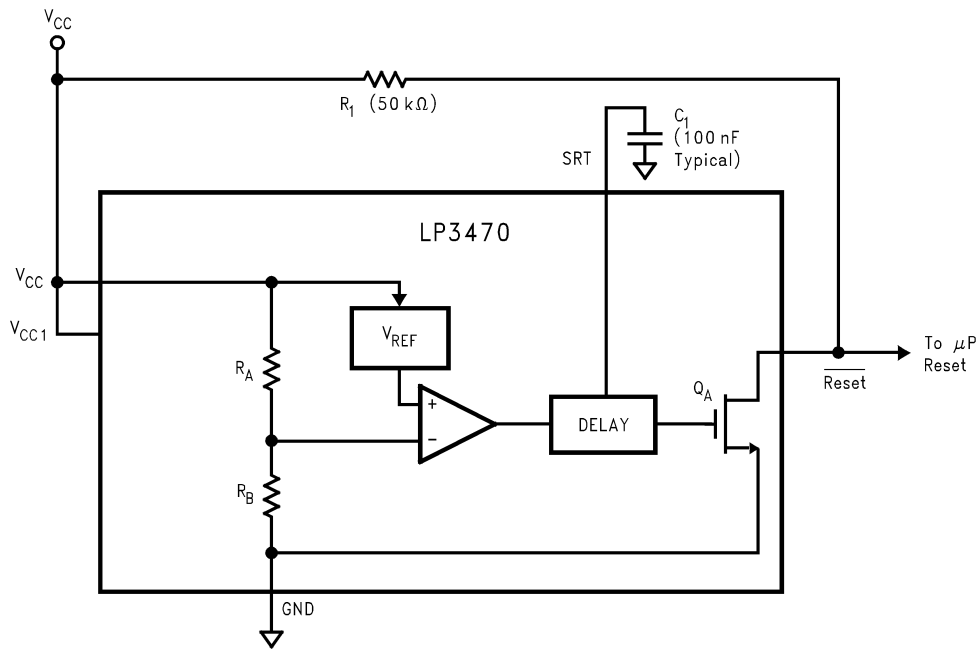
The LP3470 is relatively immune to short duration negative-going V_{CC} transients (glitches). The Typical Operating Characteristics show the Maximum Transient Duration vs. Negative Transient Amplitude (graph titled Transient Rejection), for which reset pulses are not generated. This graph shows the maximum pulse width a negative-going V_{CC} transient may typically have without causing a reset pulse to be issued. As the transient amplitude increases (i.e. goes farther below the reset threshold), the maximum allowable pulse width decreases. A $0.1\mu F$ bypass capacitor mounted close to V_{CC} provides additional transient immunity.

Timing Diagram



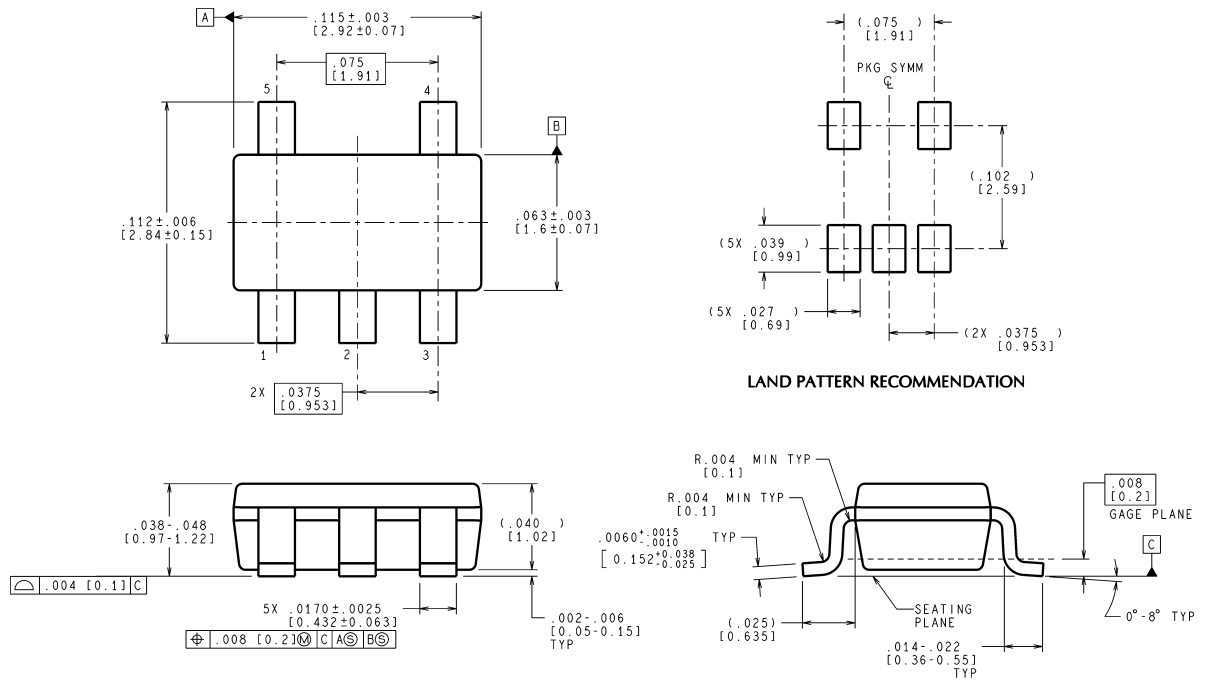
10001604

Typical Application Circuit



10001605

Physical Dimensions inches (millimeters) unless otherwise noted



CONTROLLING DIMENSION IS INCH
VALUES IN [] ARE MILLIMETERS

MF05A (Rev B)

5-Lead Small Outline Package (M5)
For Ordering Information See *Ordering Information* Table In This Data Sheet
NSPackage Number MF05A

National does not assume any responsibility for use of any circuitry described, no circuit patent licenses are implied and National reserves the right at any time without notice to change said circuitry and specifications.

For the most current product information visit us at www.national.com.

LIFE SUPPORT POLICY

NATIONAL'S PRODUCTS ARE NOT AUTHORIZED FOR USE AS CRITICAL COMPONENTS IN LIFE SUPPORT DEVICES OR SYSTEMS WITHOUT THE EXPRESS WRITTEN APPROVAL OF THE PRESIDENT AND GENERAL COUNSEL OF NATIONAL SEMICONDUCTOR CORPORATION. As used herein:

1. Life support devices or systems are devices or systems which, (a) are intended for surgical implant into the body, or (b) support or sustain life, and whose failure to perform when properly used in accordance with instructions for use provided in the labeling, can be reasonably expected to result in a significant injury to the user.
2. A critical component is any component of a life support device or system whose failure to perform can be reasonably expected to cause the failure of the life support device or system, or to affect its safety or effectiveness.

BANNED SUBSTANCE COMPLIANCE

National Semiconductor certifies that the products and packing materials meet the provisions of the Customer Products Stewardship Specification (CSP-9-111C2) and the Banned Substances and Materials of Interest Specification (CSP-9-111S2) and contain no "Banned Substances" as defined in CSP-9-111S2.

National Semiconductor
Americas Customer Support Center
 Email: new.feedback@nsc.com
 Tel: 1-800-272-9959

National Semiconductor
Europe Customer Support Center
 Fax: +49 (0) 180-530 85 86
 Email: europe.support@nsc.com
 Deutsch Tel: +49 (0) 69 9508 6208
 English Tel: +44 (0) 870 24 0 2171
 Français Tel: +33 (0) 1 41 91 8790

National Semiconductor
Asia Pacific Customer Support Center
 Email: ap.support@nsc.com

National Semiconductor
Japan Customer Support Center
 Fax: 81-3-5639-7507
 Email: jpn.feedback@nsc.com
 Tel: 81-3-5639-7560

This datasheet has been download from:

www.datasheetcatalog.com

Datasheets for electronics components.