

KPC514 • KPC524 • KPC544

These Photocouplers consist of two Gallium Arsenide Infrared Emitting Diodes and a Silicon NPN Photo Darlington transistor per channel.

The KPC514 has one channel in a 4-pin package.

The KPC524 has two channels in a 8-pin package.

The KPC544 has four channels in a 16-pin package.

FEATURES

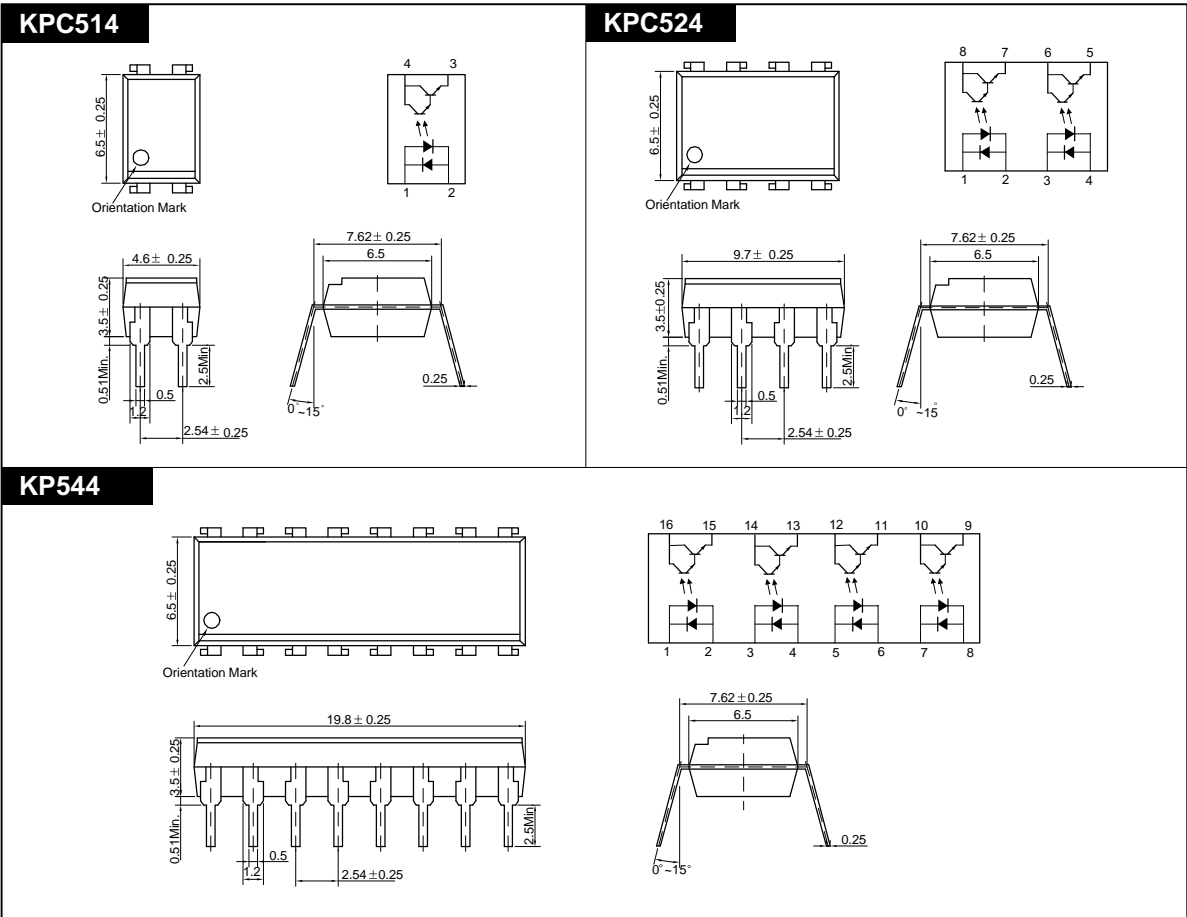
- Small Package Size
- Collector-Emitter Voltage : Min.30V
- Current Transfer Ratio : Type 1000% (at $I_F = \pm 1\text{mA}$, $V_{CE}=2\text{V}$)
- Electrical Isolation Voltage : AC2500V_{rms}
- UL Recognized File No. E107486

APPLICATIONS

- AC Signal Input
- Interface between two circuits of different potential
- Automatic Vending Machine
- Copiers, Industrial Robots

DIMENSION

(Unit : mm)



KPC514 • KPC524 • KPC544

MAXIMUM RATINGS

(Ta=25)

Parameter		Symbol	Rating	Unit
Input	Forward Current	IF	± 60	mA
	Peak Forward Current ^{*1}	IFP	± 1	A
	Power Dissipation	PD	150	mW
	Junction Temperature	TJ	125	
Output	Collector-Emitter Breakdown Voltage	BVCEO	30	V
	Emitter-Collector Breakdown Voltage	BVECO	5	V
	Collector Current	IC	50	mA
	Collector Power Dissipation	PC	150	mW
Input to Output Isolation Voltage ^{*2}		Viso	AC2500	V _{rms}
Storage Temperature		Tstg	-55~+125	
Operating Temperature		Topr	-30~+85	
Lead Soldering Temperature ^{*3}		Tsol	260	
Total Power Dissipation		Ptot	250	mW

*1. Input current with 100μs pulse width, 1% duty cycle

*2. Measured at RH=40~60% for 1min

*3. 1/16 inch form case for 10sec

ELECTRO-OPTICAL CHARACTERISTICS

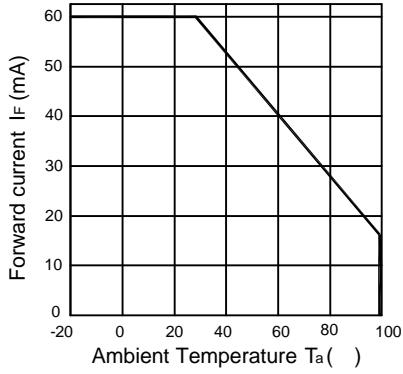
(Ta=25 , unless otherwise noted)

Parameter		Symbol	Condition	Min.	Typ.	Max.	Unit.
Input	Forward Voltage	VF	IF= ±10mA	-	1.15	1.30	V
	Capacitance	CT	V=0, f=1kHz	-	30	-	pF
Output	Collector-Emitter Breakdown Voltage	BVCEO	IC=0.5mA	30	-	-	V
	Emitter-Collector Breakdown Voltage	BVECO	IE=0.1mA	5	-	-	V
	Collector Dark Current	ICEO	IF=0, VCE=10V	-	-	100	nA
	Capacitance	CCE	VCE=0, f=1KHz	-	10	-	pF
Coupled	Current Transfer Ratio ^{*4}	CTR	IF= ± 1mA, VCE=2V	300	-	-	%
	Collector-Emitter Saturation Voltage	VCE(SAT)	IF= ± 1mA, IC=2mA	-	0.8	1.2	V
	Input-Output Capacitance	CIO	V=0, f=1kHz	-	5	-	pF
	Input-Output Isolation Resistance	RIO	RH=40~60%, V=500V	-	10 ¹¹	-	
	Rise Time	tr	VCE=10V, RL=100	-	90	-	μs
Fall Time	tf	IC=10mA	-	120	-	μs	

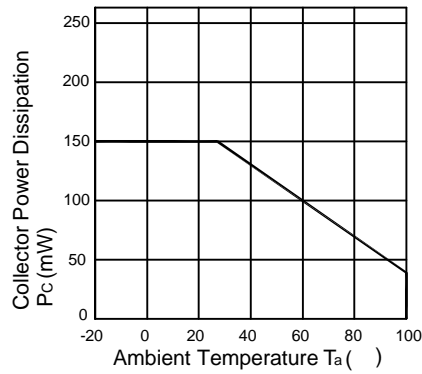
*4. CTR=(IC/IF) X 100 (%)

KPC514 • KPC524 • KPC544

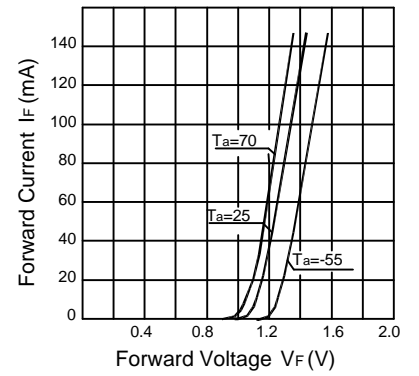
Forward Current vs. Ambient Temperature



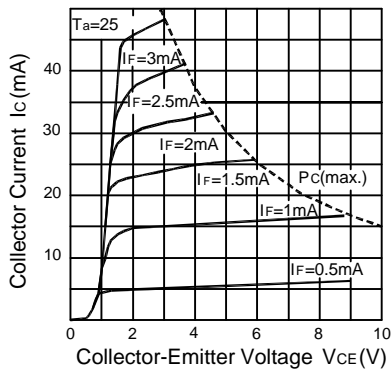
Collector Power Dissipation vs. Ambient Temperature



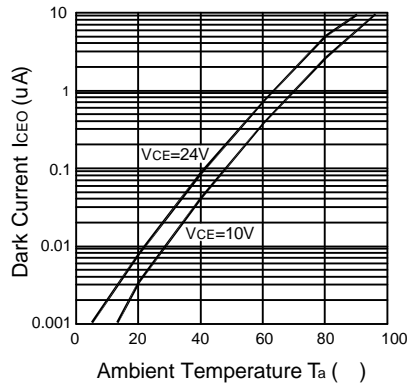
Forward Current vs. Forward Voltage



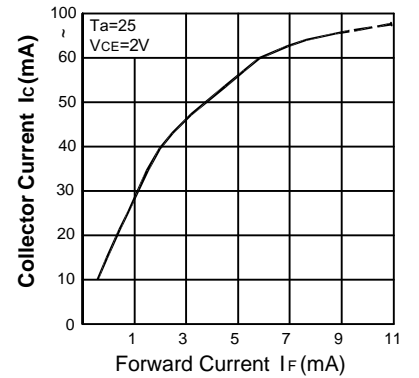
Collector Current vs. Collector-Emitter Voltage



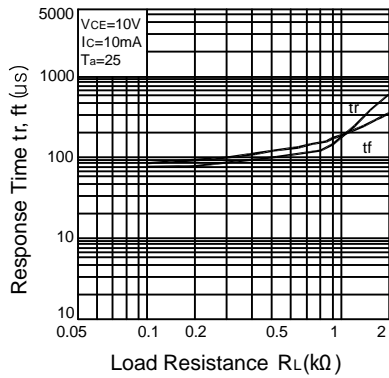
Dark Current vs. Ambient Temperature



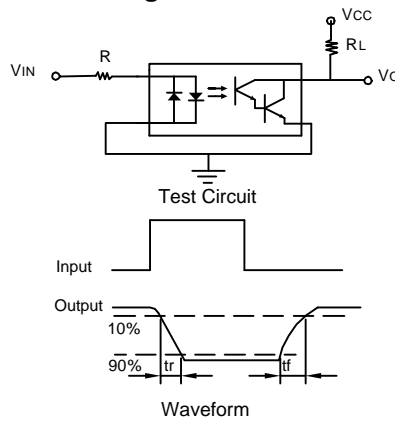
Collector Current vs. Forward Current



Response Time vs. Load Resistance



Switching Time Test Circuit



This datasheet has been download from:

www.datasheetcatalog.com

Datasheets for electronics components.