

DATA SHEET

For a complete data sheet, please also download:

- The IC04 LOCMOS HE4000B Logic Family Specifications HEF, HEC
- The IC04 LOCMOS HE4000B Logic Package Outlines/Information HEF, HEC

HEF40162B

MSI

4-bit synchronous decade counter
with synchronous reset

Product specification
File under Integrated Circuits, IC04

January 1995

4-bit synchronous decade counter with synchronous reset

HEF40162B MSI

DESCRIPTION

The HEF40162B is a fully synchronous edge-triggered 4-bit decade counter with a clock input (CP), four synchronous parallel data inputs (P₀ to P₃), four synchronous mode control inputs (parallel enable (\overline{PE}), count enable parallel (CEP), count enable trickle (CET) and synchronous reset (\overline{SR})), buffered outputs from all four bit positions (O₀ to O₃) and a terminal count output (TC).

Operation is synchronous and occurs on the LOW to HIGH transition of CP. When \overline{PE} is LOW, the next LOW to HIGH transition of CP loads data into the counter from P₀ to P₃. When \overline{PE} is HIGH, the next LOW to HIGH transition of CP

advances the counter to its next state only if both CEP and CET are HIGH; otherwise no change occurs in the state of the counter. TC is HIGH when the state of the counter is 9 (O₀ = O₃ = HIGH, O₁ = O₂ = LOW) and when CET is HIGH. A LOW on \overline{SR} sets all outputs (O₀ to O₃ and TC) LOW on the next LOW to HIGH transition of CP, independent of the state of all other synchronous mode control inputs (CEP, CET and \overline{PE}). Multistage synchronous counting is possible without additional components by using a carry look-ahead counting technique; in this case, TC is used to enable successive cascaded stages. CEP, CET, \overline{PE} and \overline{SR} must be stable only during the set-up time before the LOW to HIGH transition of CP.

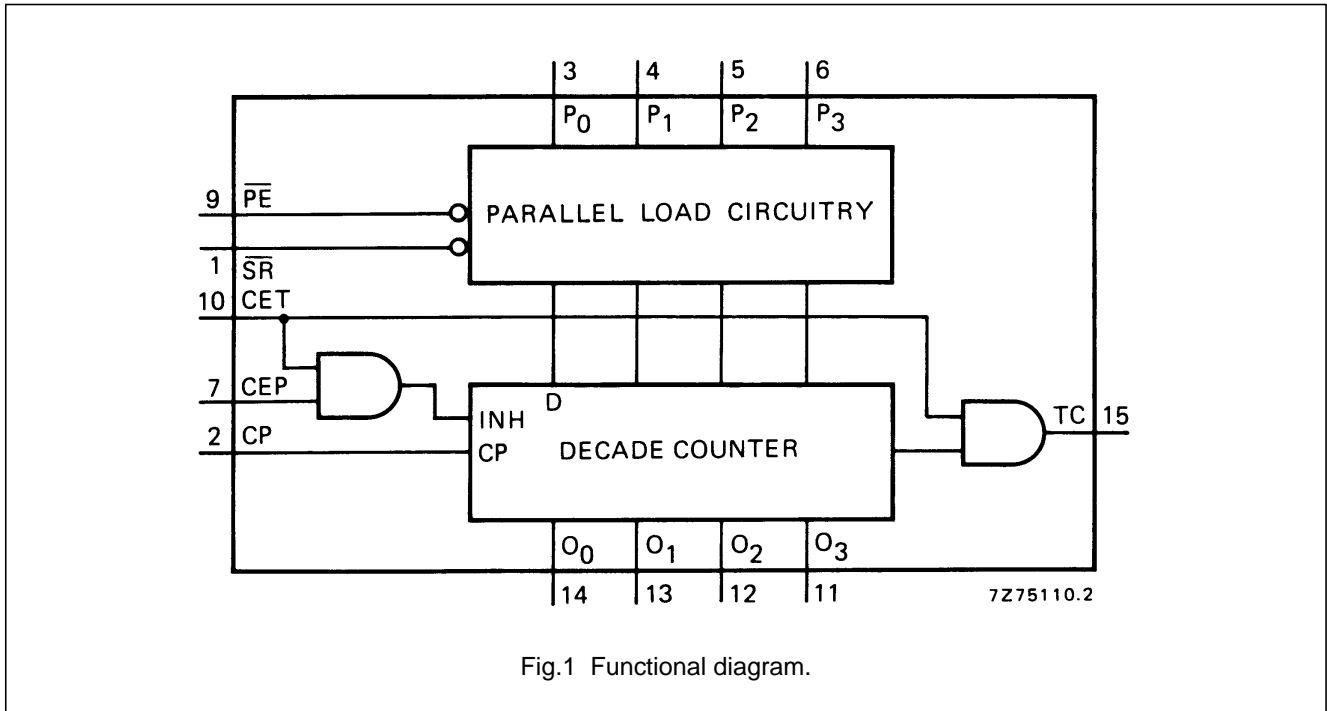


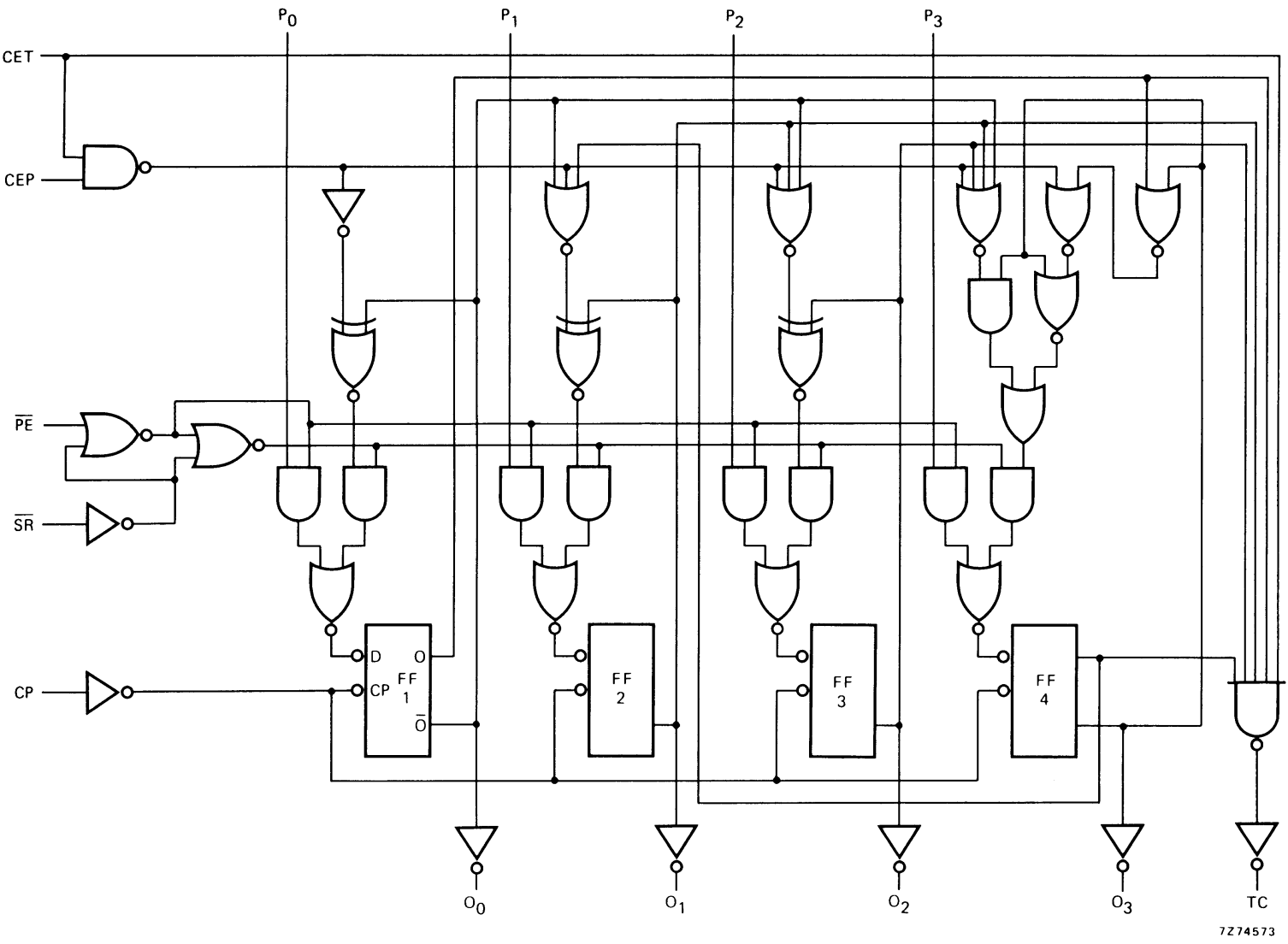
Fig.1 Functional diagram.

FAMILY DATA, I_{DD} LIMITS category MSI

See Family Specifications

4-bit synchronous decade counter with synchronous reset

HEF40162B
MSI

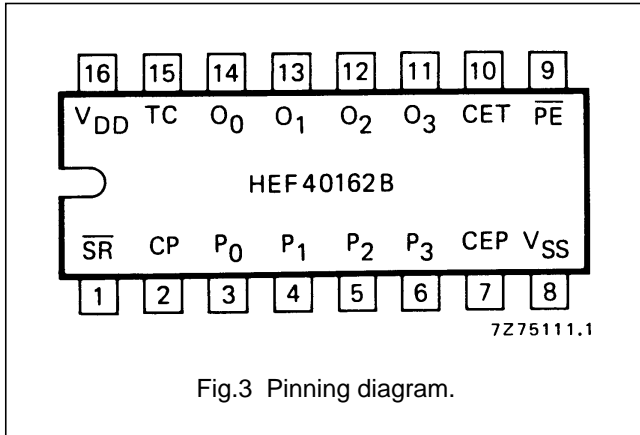


7274573

Fig.2 Logic diagram.

4-bit synchronous decade counter with synchronous reset

HEF40162B
MSI



PINNING

- \overline{PE} parallel enable input
- P_0 to P_3 parallel data inputs
- CEP count enable parallel input
- CET count enable trickle input
- CP clock input (LOW to HIGH, edge-triggered)
- \overline{SR} synchronous reset input (active LOW)
- O_0 to O_3 parallel outputs
- TC terminal count output

HEF40162BP(N): 16-lead DIL; plastic (SOT38-1)
 HEF40162BD(F): 16-lead DIL; ceramic (cerdip) (SOT74)
 HEF40162BT(D): 16-lead SO; plastic (SOT109-1)
 (): Package Designator North America

SYNCHRONOUS MODE SELECTION

\overline{SR}	\overline{PE}	CEP	CET	MODE
H	L	X	X	preset
H	H	L	X	no change
H	H	X	L	no change
H	H	H	H	count
L	X	X	X	reset

Notes

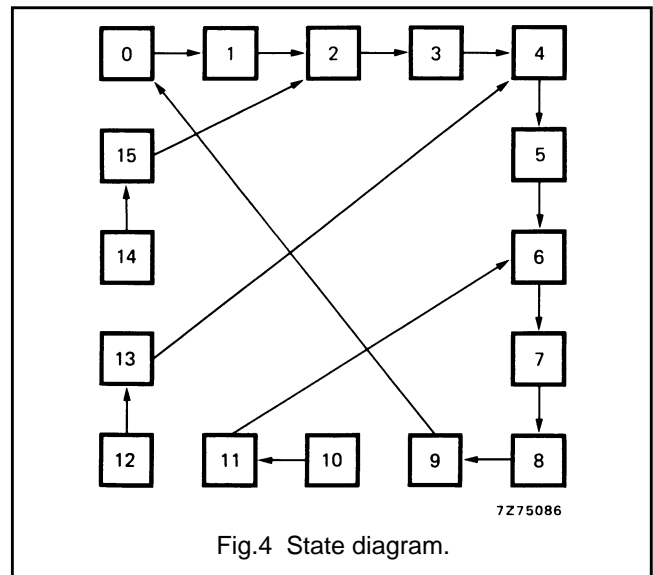
1. H = HIGH state (the more positive voltage)
2. L = LOW state (the less positive voltage)
3. X = state is immaterial

TERMINAL COUNT GENERATION

CET	$(O_0 \cdot \overline{O_1} \cdot \overline{O_2} \cdot O_3)$	TC
L	L	L
L	H	L
H	L	L
H	H	H

Note

1. $TC = CET \cdot O_0 \cdot \overline{O_1} \cdot \overline{O_2} \cdot O_3$



4-bit synchronous decade counter with synchronous reset

HEF40162B MSI

AC CHARACTERISTICS

$V_{SS} = 0$ V; $T_{amb} = 25$ °C; input transition times ≤ 20 ns

	V_{DD} V	TYPICAL FORMULA FOR P (μ W)	
Dynamic power dissipation per package (P)	5 10 15	$1\,200 f_i + \sum (f_o C_L) \times V_{DD}^2$ $5\,600 f_i + \sum (f_o C_L) \times V_{DD}^2$ $16\,000 f_i + \sum (f_o C_L) \times V_{DD}^2$	where f_i = input freq. (MHz) f_o = output freq. (MHz) C_L = load capacitance (pF) $\sum (f_o C_L)$ = sum of outputs V_{DD} = supply voltage (V)

AC CHARACTERISTICS

$V_{SS} = 0$ V; $T_{amb} = 25$ °C; $C_L = 50$ pF; input transition times ≤ 20 ns

	V_{DD} V	SYMBOL	MIN.	TYP.	MAX.	TYPICAL EXTRAPOLATION FORMULA	
Propagation delays CP \rightarrow O _n HIGH to LOW	5	t_{PHL}		110	220	ns	83 ns + (0,55 ns/pF) C_L
	10		45	90	ns	34 ns + (0,23 ns/pF) C_L	
	15		30	60	ns	22 ns + (0,16 ns/pF) C_L	
LOW to HIGH	5	t_{PLH}		115	230	ns	88 ns + (0,55 ns/pF) C_L
	10		45	95	ns	34 ns + (0,23 ns/pF) C_L	
	15		35	65	ns	27 ns + (0,16 ns/pF) C_L	
CP \rightarrow TC HIGH to LOW	5	t_{PHL}		130	260	ns	103 ns + (0,55 ns/pF) C_L
	10		55	105	ns	44 ns + (0,23 ns/pF) C_L	
	15		35	75	ns	27 ns + (0,16 ns/pF) C_L	
LOW to HIGH	5	t_{PLH}		140	280	ns	113 ns + (0,55 ns/pF) C_L
	10		55	115	ns	44 ns + (0,23 ns/pF) C_L	
	15		40	80	ns	32 ns + (0,16 ns/pF) C_L	
CET \rightarrow TC HIGH to LOW	5	t_{PHL}		105	210	ns	78 ns + (0,55 ns/pF) C_L
	10		50	100	ns	39 ns + (0,23 ns/pF) C_L	
	15		35	75	ns	27 ns + (0,16 ns/pF) C_L	
LOW to HIGH	5	t_{PLH}		90	185	ns	63 ns + (0,55 ns/pF) C_L
	10		35	70	ns	24 ns + (0,23 ns/pF) C_L	
	15		25	50	ns	17 ns + (0,16 ns/pF) C_L	
Output transition times HIGH to LOW	5	t_{THL}		60	120	ns	10 ns + (1,0 ns/pF) C_L
	10		30	60	ns	9 ns + (0,42 ns/pF) C_L	
	15		20	40	ns	6 ns + (0,28 ns/pF) C_L	
LOW to HIGH	5	t_{TLH}		60	120	ns	10 ns + (1,0 ns/pF) C_L
	10		30	60	ns	9 ns + (0,42 ns/pF) C_L	
	15		20	40	ns	6 ns + (0,28 ns/pF) C_L	

4-bit synchronous decade counter with
synchronous reset

HEF40162B
MSI

AC CHARACTERISTICS

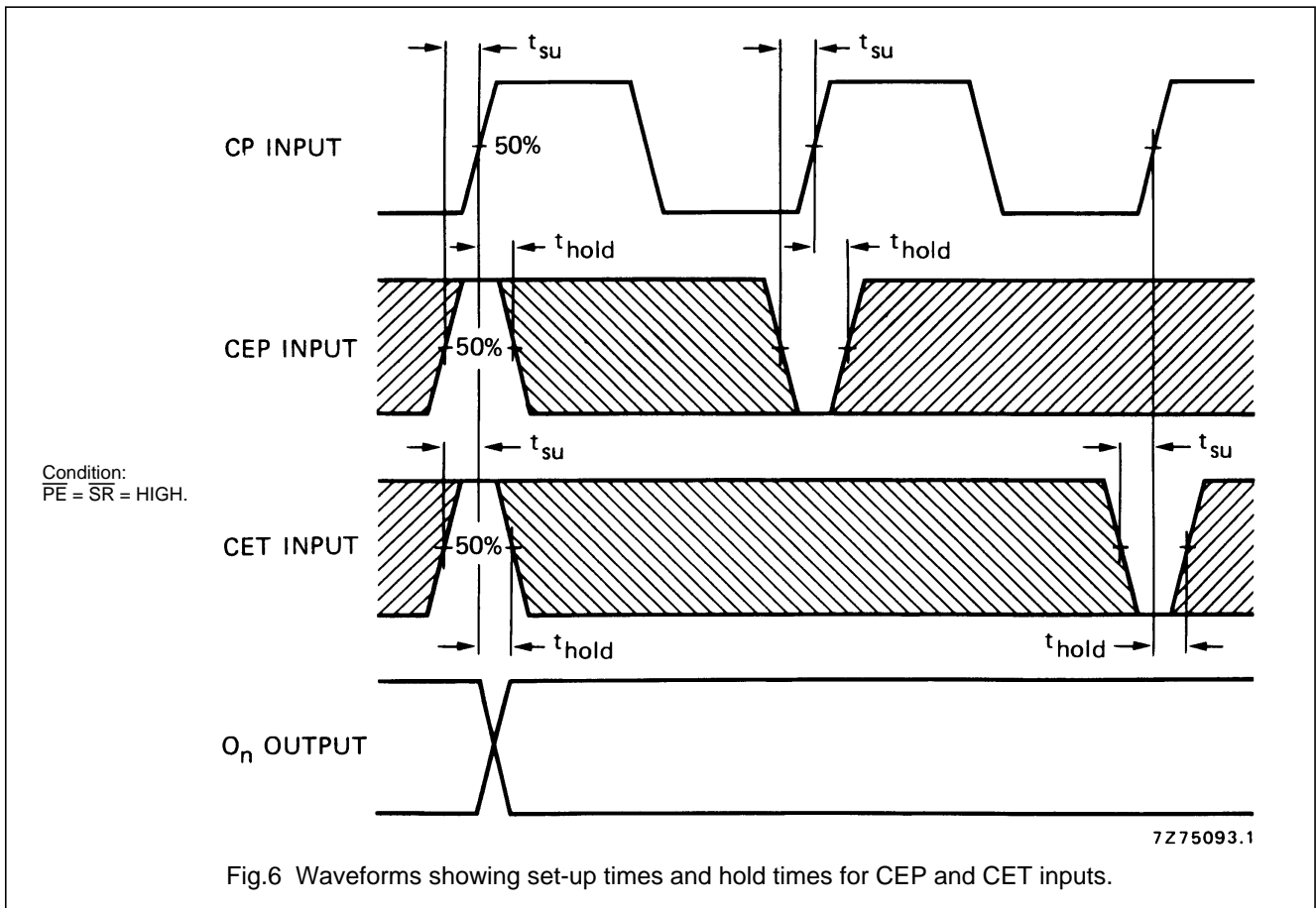
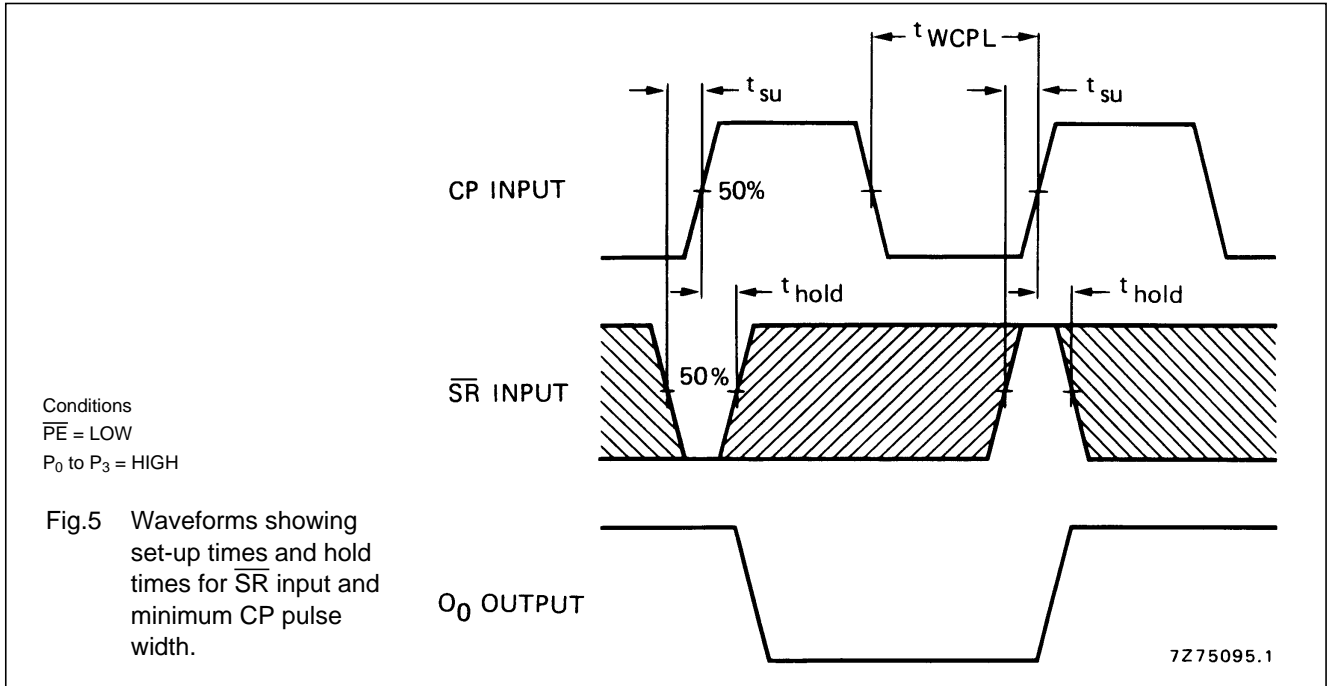
$V_{SS} = 0\text{ V}$; $T_{amb} = 25\text{ °C}$; $C_L = 50\text{ pF}$; input transition times $\leq 20\text{ ns}$

	V_{DD} V	SYMBOL	MIN.	TYP.	MAX.
Minimum clock pulse width; LOW	5	t_{WCPL}	100	50	ns
	10		40	20	ns
	15		30	15	ns
Set-up times $P_n \rightarrow CP$	5	t_{su}	110	55	ns
	10		40	20	ns
	15		30	15	ns
$\overline{PE} \rightarrow CP$	5	t_{su}	120	60	ns
	10		40	20	ns
	15		25	10	ns
CEP, CET \rightarrow CP	5	t_{su}	260	130	ns
	10		100	50	ns
	15		70	35	ns
$\overline{SR} \rightarrow CP$	5	t_{su}	50	25	ns
	10		20	10	ns
	15		15	10	ns
Hold times $P_n \rightarrow CP$	5	t_{hold}	20	-35	ns
	10		10	-10	ns
	15		5	-10	ns
$\overline{PE} \rightarrow CP$	5	t_{hold}	15	-45	ns
	10		5	-15	ns
	15		5	-10	ns
CEP, CET \rightarrow CP	5	t_{hold}	25	-105	ns
	10		15	-35	ns
	15		10	-25	ns
$\overline{SR} \rightarrow CP$	5	t_{hold}	15	-10	ns
	10		5	-5	ns
	15		5	0	ns
Maximum clock pulse frequency	5	f_{max}	2,5	5	MHz
	10		7	14	MHz
	15		9	18	MHz

see also waveforms
Figs 5, 6, 7 and 8

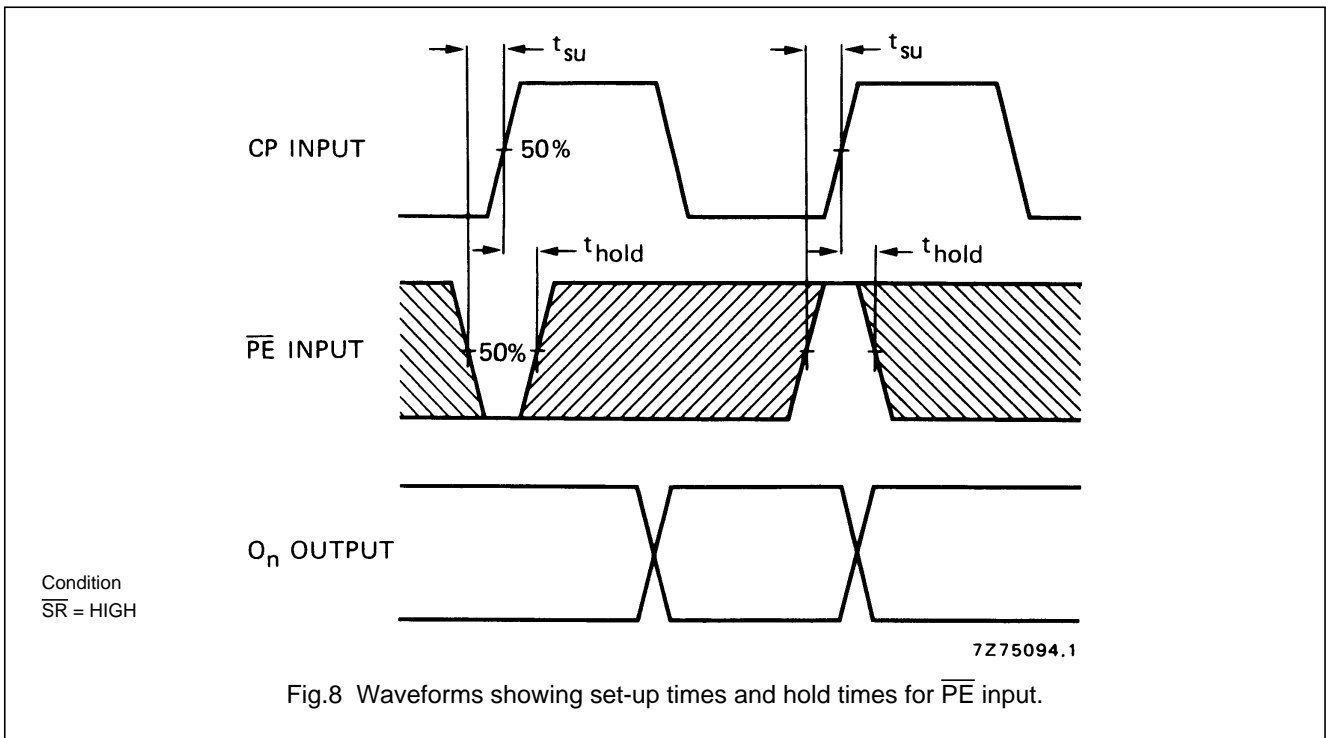
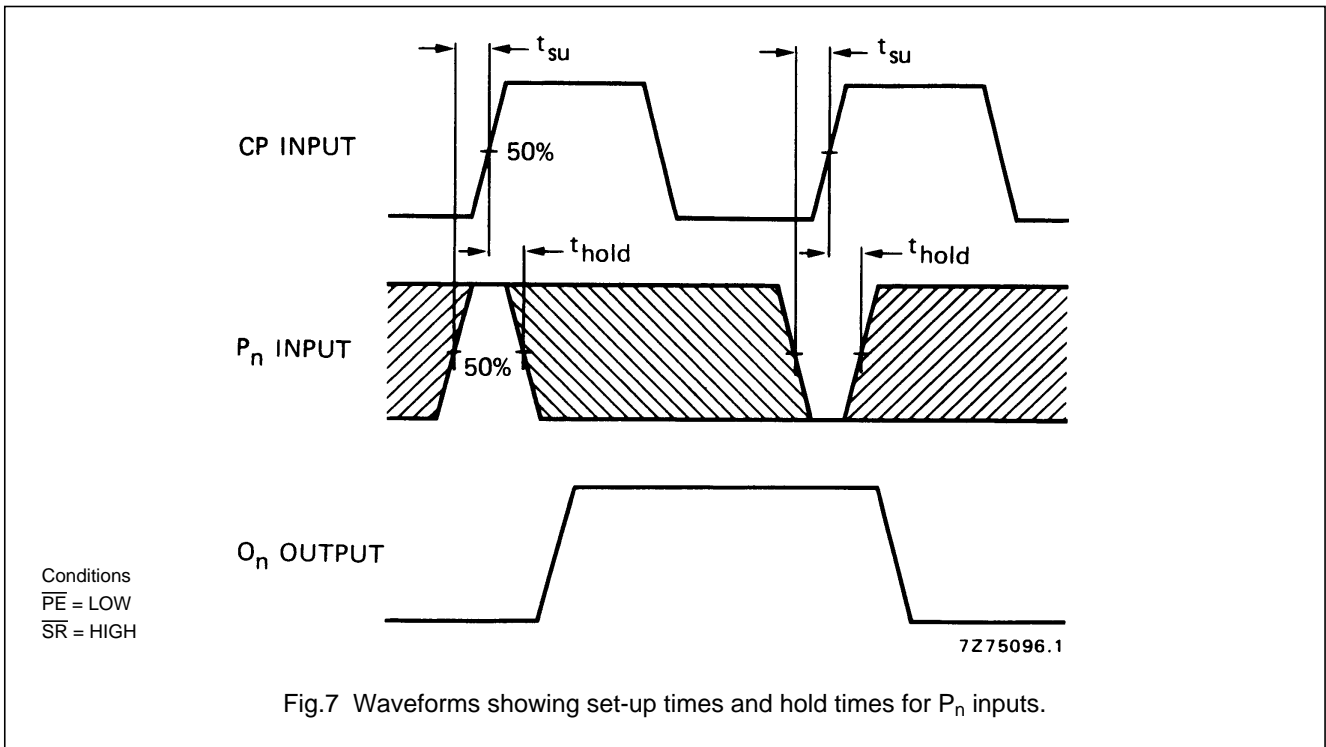
4-bit synchronous decade counter with synchronous reset

HEF40162B
MSI



4-bit synchronous decade counter with
synchronous reset

HEF40162B
MSI



Note

Set-up and hold times are shown as positive values but may be specified as negative values.

4-bit synchronous decade counter with
synchronous reset

HEF40162B
MSI

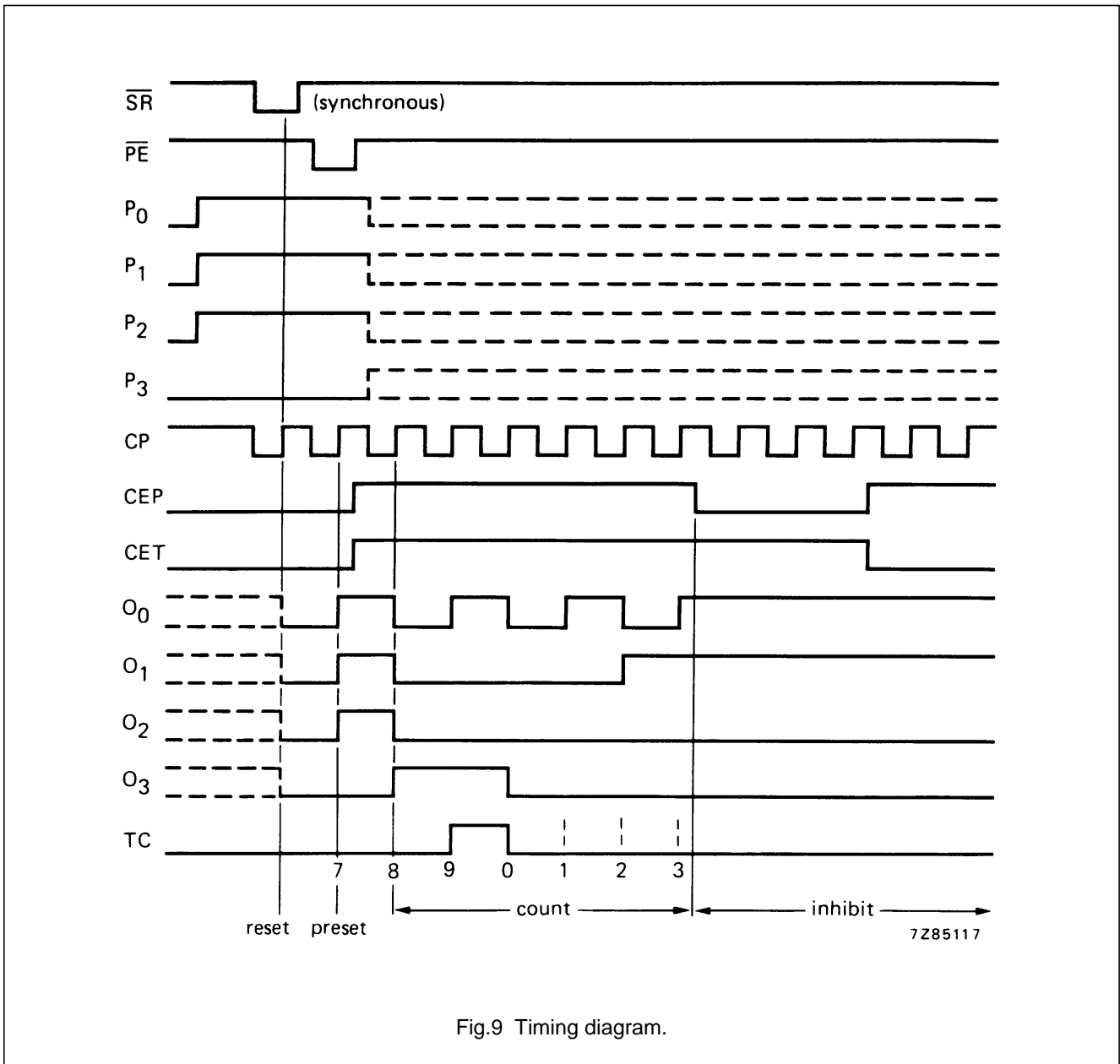


Fig.9 Timing diagram.

APPLICATION INFORMATION

An example of an application for the HEF40162B is:

- Programmable decade counter.

4-bit synchronous decade counter with synchronous reset

HEF40162B
MSI

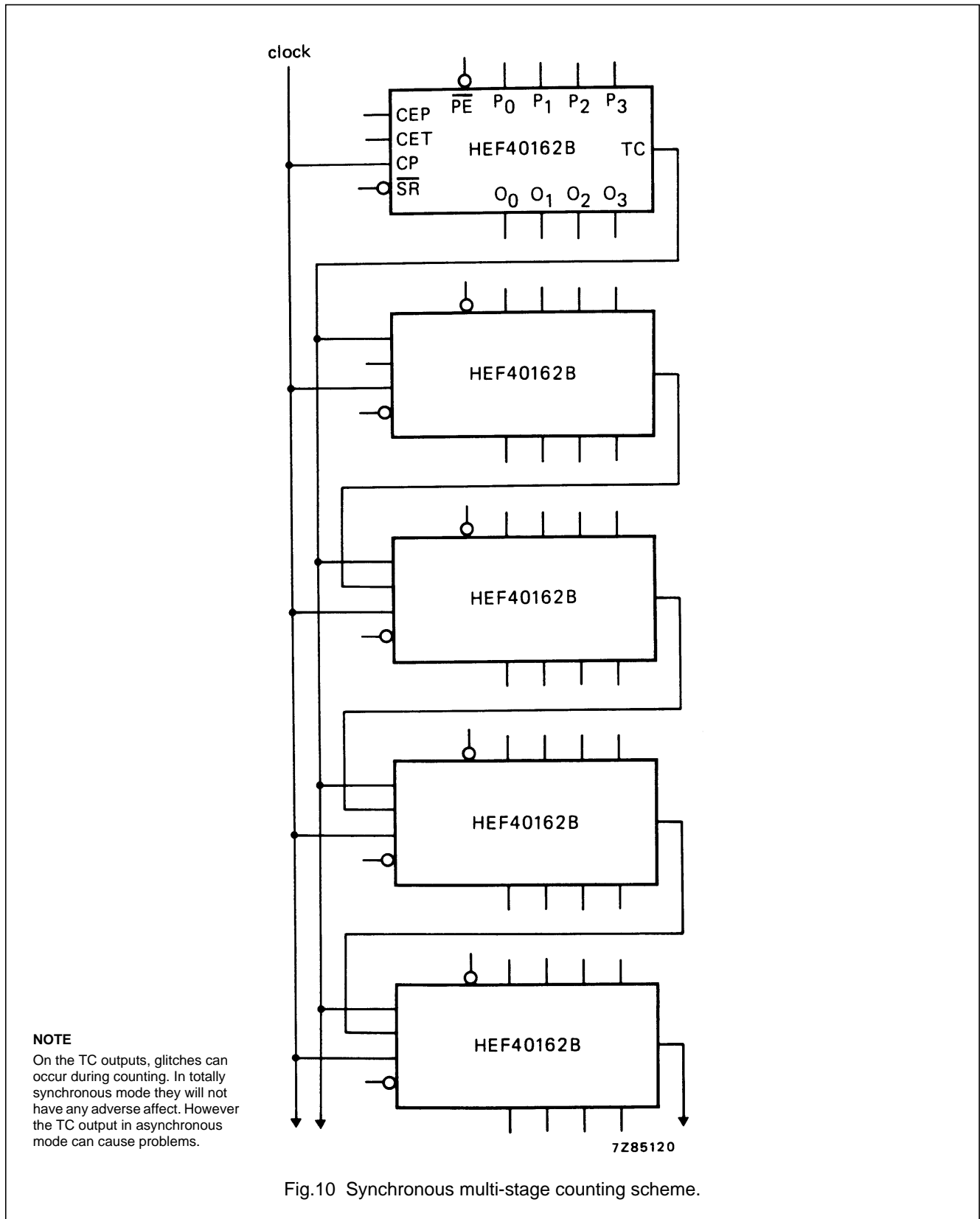


Fig.10 Synchronous multi-stage counting scheme.

This datasheet has been download from:

www.datasheetcatalog.com

Datasheets for electronics components.