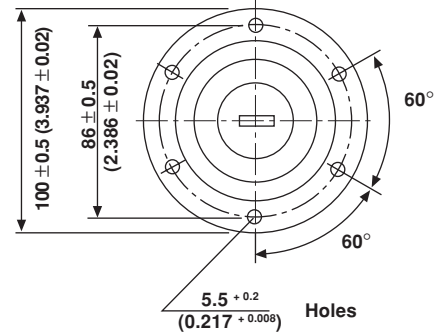
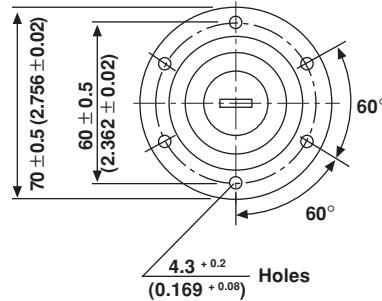
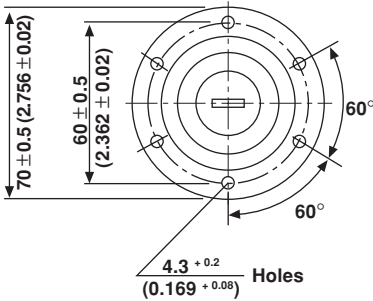
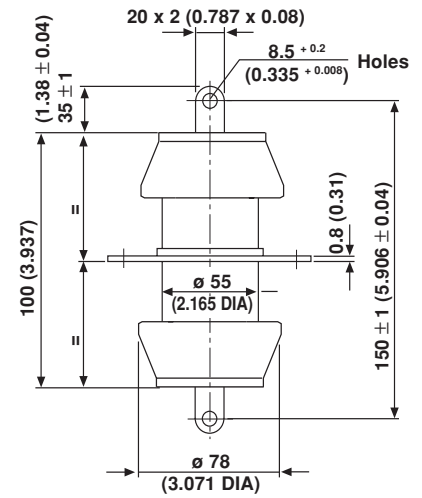
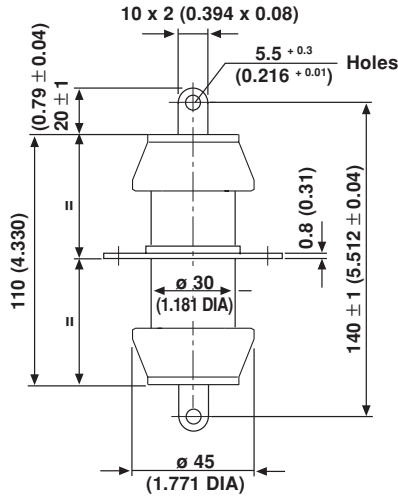
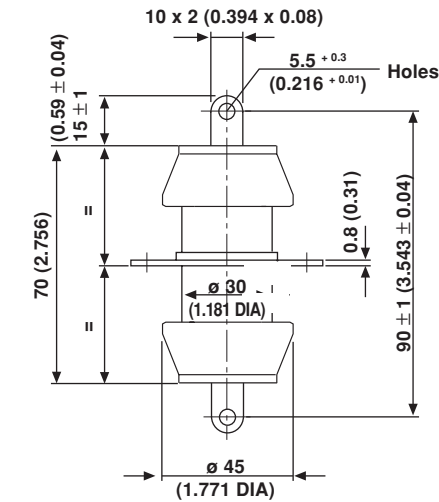


Feed-Through Capacitors with Band Conductor

DS 030070 8KV_p

DS 030110 12KV_p

DS 055100 12KV_p



• Dimensions in millimeters (inches)

MATERIAL:

Capacitor elements made from Class 1 ceramic dielectric with noble metal electrodes.
Connection Terminals: Copper/brass, silver plated.

FINISH:

Noble metal electrodes completely lacquered. Contoured rims glazed.

MARKING:

Type designator, Capacitance value and tolerance, Rated voltage (peak value), Production date code, Ceramic material code, DRALORIC Logo.

ORDERING INFORMATION

DF 030070	8KV _p	600pF	± 5%	R 85
MODEL	RATED VOLTAGE	CAPACITANCE VALUE	TOLERANCE	CERAMIC



DS 030070				
CERAMIC	CAPACITANCE VALUE [pF]	RATED VOLTAGE [KV _P]	RATED POWER [KVA _r]	RATED CURRENT [A _{RMS}]
R 85	500	8	16	10
	600			
	800			

Feed-through current DC or low frequency RMS current (< 20KHz): 20 A

DS 030110				
CERAMIC	CAPACITANCE VALUE [pF]	RATED VOLTAGE [KV _P]	RATED POWER [KVA _r]	RATED CURRENT [A _{RMS}]
R 85	800	12	30	10
R 230	1800	12	30	10

Feed-through current DC or low frequency RMS current (< 20KHz): 20 A

DS 055100				
CERAMIC	CAPACITANCE VALUE [pF]	RATED VOLTAGE [KV _P]	RATED POWER [KVA _r]	RATED CURRENT [A _{RMS}]
R 85	1000	12	60	30

Feed-through current DC or low frequency RMS current (< 20KHz): 30 A

CAPACITANCE TOLERANCES:

± 20%, ± 10%, ± 5%

This datasheet has been download from:

www.datasheetcatalog.com

Datasheets for electronics components.