

FEATURES

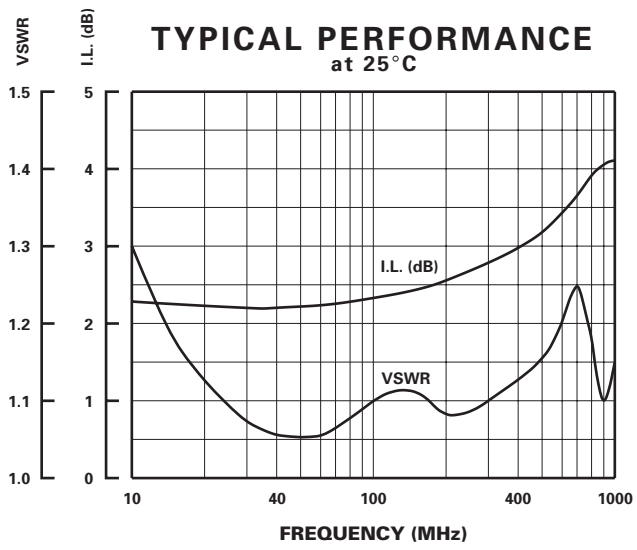
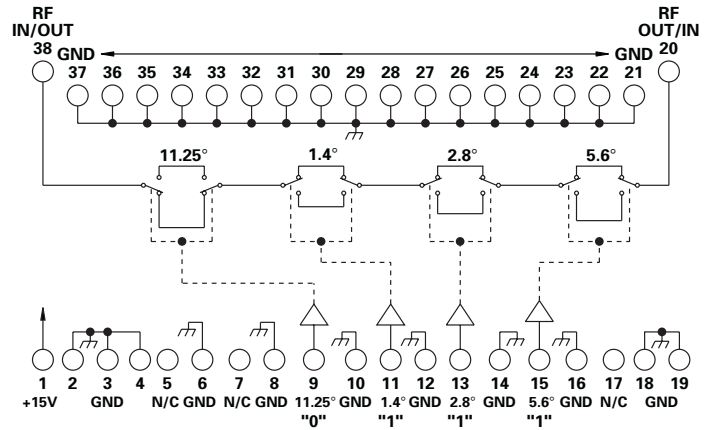
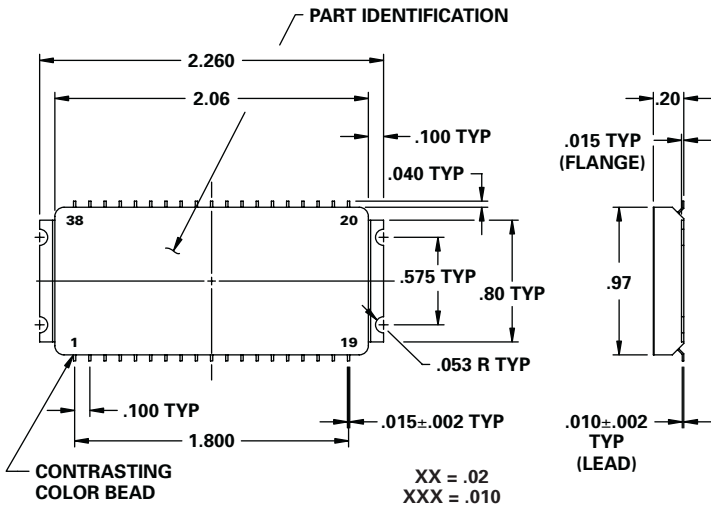
- 70 MHz
- 1.4° LSB
- Surface Mount
- 2.4 dB Insertion Loss



**MODEL NO.
DPS45081**

Phase Shifter 4 Section

4 BIT



GUARANTEED PERFORMANCE

Parameter	Min	Typ	Max	Units	Conditions
Operating Frequency		70		MHz	
DC Current		14	50	mA	At +15 VDC Supply
Control Type		TTL			4 Line Logic "0" = Thru Logic "1" = Phase
Control Current	High	0.03	±10	µA	VIH = +2.7 V
	Low	0.03	±10	µA	VIL = +0.5 V
Insertion Loss		2.4	3.5	dB	
Phase	LSB	1.4		DEG	
	Range	0	21.0	DEG	1.4, 2.8, 5.6, 11.25 DEG
	Accuracy		±1	DEG	
VSWR		1.1/1	1.5/1		
Impedance		50		OHMS	
Switching Speed		8.0	20	µSec	50% TTL to 90% / 10% RF
Transition (Rise/Fall) Time		1.0		µSec	10% / 90% or 90% / 10% RF
Switching (Video) Transients		26		mV	Peak Value
Intercept Points	2nd	+53		dBm	
	3rd	+25		dBm	
RF Power	Operate	+22	+10	dBm	0.1 dB Compression
	No Damage		+30	dBm	
Operating Temperature	+14	+25	+36	°C	TA

This datasheet has been download from:

www.datasheetcatalog.com

Datasheets for electronics components.