

Type	$V_{\text{DRM}}$ $V_{\text{RRM}}$ V	$I_{\text{TIRM}}$ A	$I_{\text{TSM}}$ 25°C, 10 ms A	$\int i^2 dt$ 25°C, 10 ms A <sup>2</sup> s	$(dv/dt)_{\text{cr}}$ V/ $\mu$ s	$(di/dt)_{\text{cr}}$ A/ $\mu$ s	$t_{\text{q,max}}$ $\mu$ s	$T_{\text{j,max}}$ °C	$R_{\text{th,jc}}$ K/W	Fig.
BStN 44 C 60	900	710	5 200	135 000	500	200	k: 25 f: 30	125	0,055	1
BStN 44 C 80	1 200									
BStN 44 C 86	1 300									
BStN 47 C 60	900	710	5 200	135 000	500	200	f: 15 g: 18	125	0,055	1
BStN 47 C 66	1 000									
BStN 49 B 53	800	700	3 800	72 200	500	800	d: 10 f: 15	125	0,055	1
BStN 49 B 60	900									
BStN 6113	200	950	8 950	400 000	200 S9: 500	150	f: 15 g: 18	140	0,05	2
BStN 6120	300									
BStN 6126	400									
BStN 6133	500									
BStP 4460	900	1 300	10 750	580 000	500	200	k: 25 f: 30	125	0,03	4
BStP 4480	1 200									
BStP 4488	1 300									
BStP 4940	600	1 200	7 620	290 000	500	200	d: 10 e: 12	125	0,035	3
BStP 4960	900									

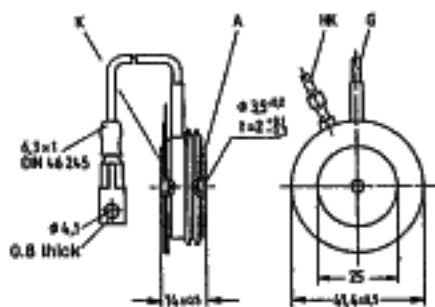


Fig. 1

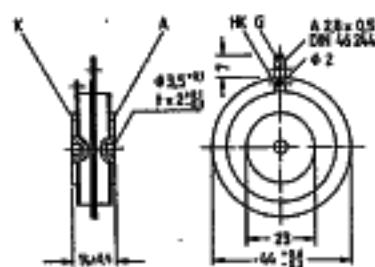


Fig. 2

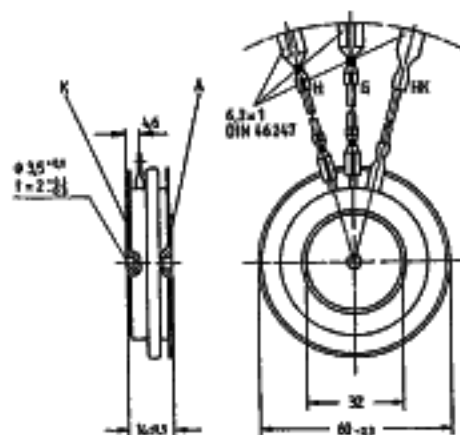


Fig. 3

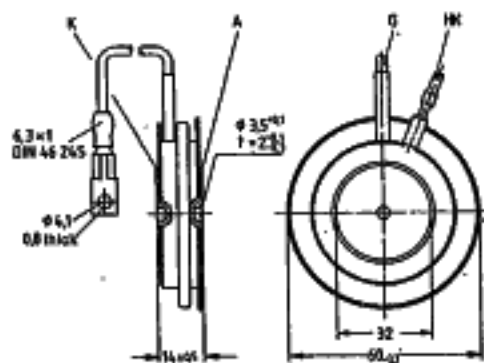


Fig. 4

Dimensions in mm

This datasheet has been downloaded from:

[www.DatasheetCatalog.com](http://www.DatasheetCatalog.com)

Datasheets for electronic components.