

# UTC M3366

# LINEAR INTEGRATED CIRCUIT

## 3-INPUT VIDEO SWITCH WITH 75Ω DRIVER

### DESCRIPTION

The UTC M3366 is a three input integrated video switch selects one video or audio signal from three input signals.

It contains driver circuit for 75Ω load and is able to connect to TV monitor.

Its operating supply voltage range is 5 to 12V and bandwidth is 10MHz. Crosstalk is 70dB (at 4.43MHz).

The UTC M3366 contains clamp function and it can be operated while setting DC level fixed in position of the video signal.

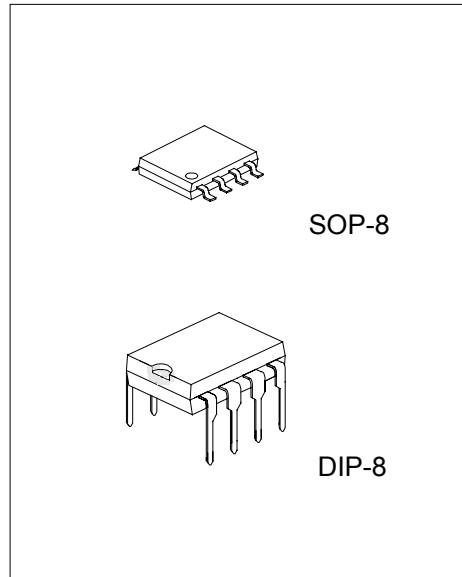
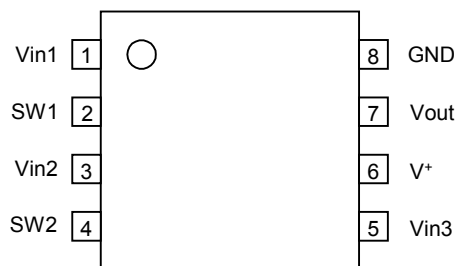
### FEATURES

- \*Operating Voltage 4.75 to 13V
- \*3 Input- 1 Output
- \*Internal Driver Circuit for 75Ω Impedance
- \*Muting Function available
- \*Internal Clamp Function
- \*Low power Dissipation 16.5mA
- \*Cross-talk 70dB (at 4.43MHz)
- \*Wide Frequency Range 10MHz (2Vp-p Input)

### APPLICATION

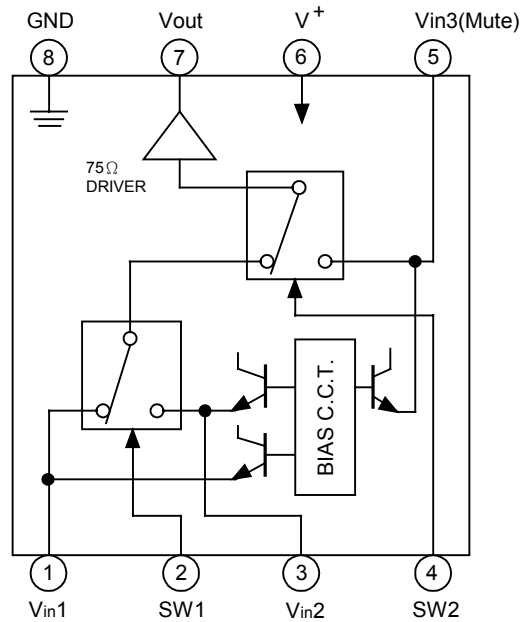
\*VCR, Video Camera, AV ,TV, Video Disc Player

### PIN CONFIGURATION



# UTC M3366 LINEAR INTEGRATED CIRCUIT

## BLOCK DIAGRAM



## INPUT CONTROL SIGNAL-OUTPUT SIGNAL

SW1	SW2	OUTPUT SIGNAL
L	L	Vin 1
H	L	Vin 2
L/H	H	Vin 3

Note: Input clamp voltage is about 2/5 of supply voltage

## ABSOLUTE MAXIMUM RATINGS (Ta=25°C)

PARAMETER	SYMBOL	RATINGS	UNIT
Supply Voltage	V <sup>+</sup>	15	V
Power Dissipation	P <sub>d</sub>	500	mW
		300	
Operating Temperature Range	Topr	-20~+75	°C
Storage Temperature Range	Tstg	-40~+125	°C

ELECTRICAL CHARACTERISTICS ( $V^+=5V, T_a=25^\circ C$ )

PARAMETER	SYMBOL	TEST CONDITION	MIN	TYP	MAX	UNIT
Recommended Supply Voltage	$V^+$		4.75		13.0	V
Operating Current	$I_{CC}$	$S1=S2=S3=S4=S5=2$	11.5	16.5	22.0	mA
Voltage Gain	$G_v$	$V_{in}=2.0V_{p-p}, 100kHz, V_o/V_i, R_L=150\ \Omega$	-0.8	-0.3	+0.2	dB
Frequency Characteristic	$G_f$	$V_{in}=2.0V_{p-p}, V_o(10MHz)/V_o(100kHz), R_L=150\ \Omega$	-1.0		+1.0	dB
Differential Gain	DG	$V_{in}=2.0V_{p-p}, staircase, R_L=150\ \Omega$		0.3		%
Differential Phase	DP	$V_{in}=2.0V_{p-p}, staircase, R_L=150\ \Omega$		0.3		deg.
Output Offset Voltage	$V_{off}$	$S1=S2=S3=2, S5=1 \rightarrow 2$ $V_o$ :voltage change		0	$\pm 30$	mV
Crosstalk	CT	$V_{in}=2.0V_{p-p}, 4.43MHz, V_o/V_i$		-70		dB
Switch Change Voltage	$V_{CH}$	All inside SW: ON	2.4			V
	$V_{CL}$	All inside SW: OFF			0.8	

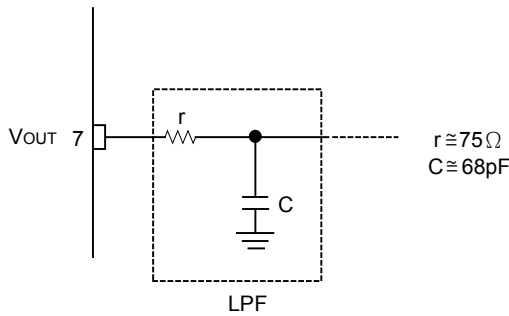
Note: Unless specified, tested with three mode below.

- (a)  $S1=1, S2=S3=S4=S5=2$  (b)  $S2=S4=1, S1=S3=S5=2$  (c)  $S1=S2=2, S3=S5=1, S4=1$  or  $2$

APPLICATION

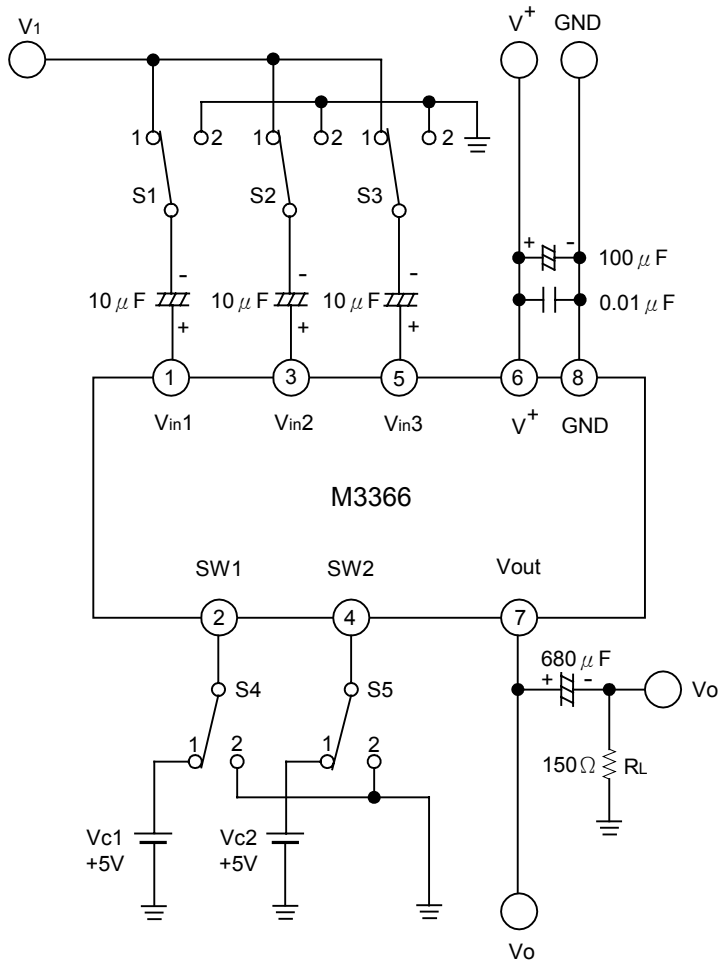
Oscillation Prevention on light loading conditions Recommended under circuit

This IC requires  $1M\ \Omega$  resistance between INPUT and GND pin for clamp type input since the minute current causes an unstable pin voltage.



# UTC M3366 LINEAR INTEGRATED CIRCUIT

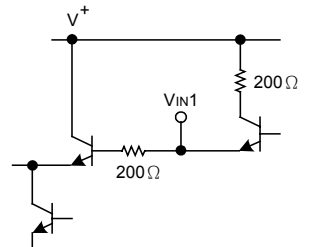
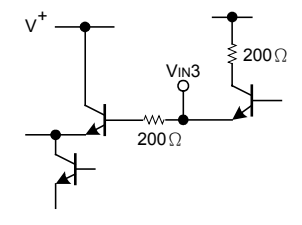
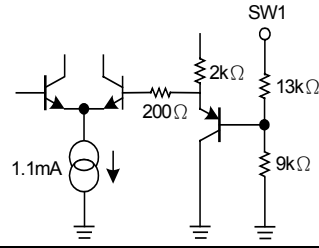
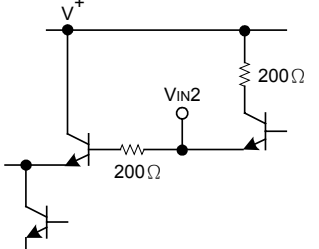
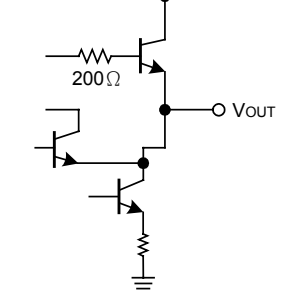
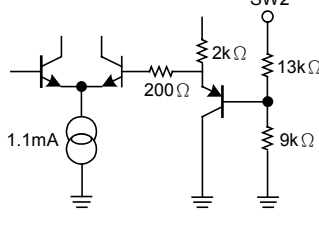
## TEST CIRCUIT



DC Voltage Each Terminal ( Typ.on Test Circuit Ta=25°C)

Terminal Name	VIN1	SW1	VIN2	SW2	VIN3	V <sup>+</sup>	VOUT	GND
DC Voltage	$\frac{2}{5}V^+$	—	$\frac{2}{5}V^+$	—	$\frac{2}{5}V^+$	—	$\frac{2}{5}V^+-0.7$	—

EQUIVALENT CIRCUIT

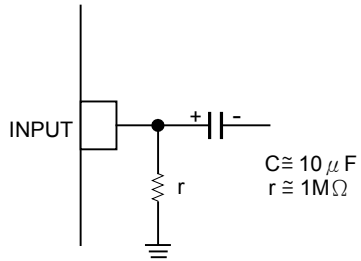
PIN NO.	FUNCTION	INSIDE EQUIVALENT CIRCUIT	PIN NO.	FUNCTION	INSIDE EQUIVALENT CIRCUIT
1	VIN1		5	VIN3 (Mute)	
2	SW1		6	V+	_____
3	VIN2		7	VOUT	
4	SW2		8	GND	_____

# UTC M3366 LINEAR INTEGRATED CIRCUIT

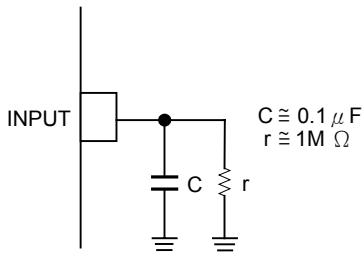
---

## APPLICATION

This IC requires  $1M\Omega$  resistance between INPUT and GND pin for clamp type input since the minute current causes an unstable pin voltage.



This IC requires  $0.1\mu F$  capacitor between INPUT and GND,  $1M\Omega$  resistance between INPUT and GND for clamp type input at mute mode.



This datasheet has been downloaded from:

[www.DatasheetCatalog.com](http://www.DatasheetCatalog.com)

Datasheets for electronic components.