

0.8" Single Digit Alpha Numeric Display

FEATURES

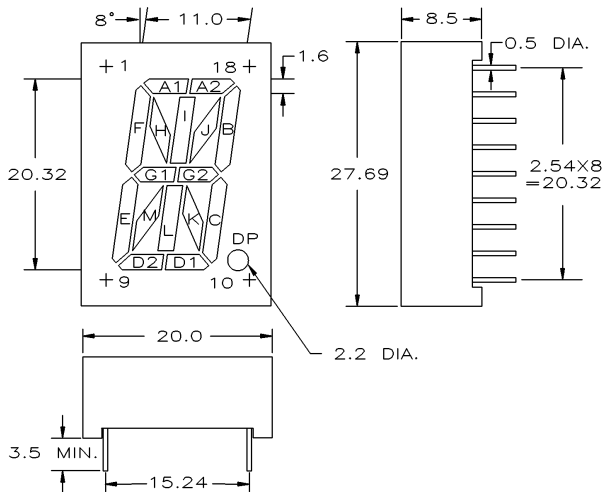
- 0.8" digit height
- Right hand decimal point
- Additional colors/materials available

OPTO-ELECTRICAL CHARACTERISTICS (Ta = 25°C)

PART NO.	PEAK WAVE LENGTH (nm)	EMITTED COLOR	FACE COLORS		MAXIMUM RATINGS			OPTO-ELECTRICAL CHARACTERISTICS						PIN-OUT	
			SURFACE COLOR	EPOXY COLOR	IF (mA)	VR (V)	PD (mW)	VF(V)			IR(μA)		IV(μcd)		
								typ.	max.	@mA	max.	@VR	typ. per seg.		@mA
MTAN2180-AG	567	Green	Grey	White	30	5	85	2.1	3.0	20	100	5	3300	10	1
MTAN4180-AO	635	Orange	Grey	White	30	5	85	2.1	3.0	20	100	5	3800	10	1
MTAN4180-AHR	635	Hi-Eff Red	Red	Red	30	5	85	2.1	3.0	20	100	5	3800	10	1
MTAN7180M-11A	660	Ultra Red	Grey	White	30	4	70	1.7	2.2	20	100	4	20000	20	1
MTAN2180-CG	567	Green	Grey	White	30	5	85	2.1	3.0	20	100	5	3300	10	2
MTAN4180-CO	635	Orange	Grey	White	30	5	85	2.1	3.0	20	100	5	3800	10	2
MTAN4180-CHR	635	Hi-Eff Red	Red	Red	30	5	85	2.1	3.0	20	100	5	3800	10	2
MTAN7180M-11C	660	Ultra Red	Grey	White	30	4	70	1.7	2.2	20	100	4	20000	20	2

Operating Temperature: -25~+85, Storage Temperature: -25~+100. Other face/epoxy colors are available.

PACKAGE DIMENSIONS AND PIN FUNCTIONS



PINOUT 1

COMMON ANODE
PIN NO. FUNCTION

1. CATHODE A2
2. CATHODE A1
3. CATHODE F
4. CATHODE H
5. CATHODE E
6. CATHODE I
7. CATHODE L
8. CATHODE M
9. CATHODE K
10. CATHODE D1
11. CATHODE D2
12. COMMON ANODE
13. CATHODE C
14. CATHODE G1
15. CATHODE B
16. CATHODE G2
17. COMMON ANODE
18. CATHODE J

PINOUT 2

COMMON CATHODE
PIN NO. FUNCTION

1. ANODE A2
2. ANODE A1
3. ANODE F
4. ANODE H
5. ANODE E
6. ANODE I
7. ANODE L
8. ANODE M
9. ANODE K
10. ANODE D1
11. ANODE D2
12. COMMON CATHODE
13. ANODE C
14. ANODE G1
15. ANODE B
16. ANODE G2
17. COMMON CATHODE
18. ANODE J

1. ALL DIMENSIONS ARE IN mm. TOLERANCE IS ± 0.25 mm UNLESS OTHERWISE SPECIFIED.
2. THE SLOPE ANGLE OF ANY PIN MAY BE $\pm 5.0^\circ$ MAX.



120 Broadway • Menands, New York 12204

Toll Free: (800) 98-4LEDS • Fax: (518) 432-7454

For up-to-date product info visit our web site at www.marktechopto.com

All specifications subject to change.

This datasheet has been download from:

www.datasheetcatalog.com

Datasheets for electronics components.