

W83782D
Winbond H/W
Monitoring IC

W83782D Data Sheet Revision History

| | Pages | Dates | Version | Version on Web | Main Contents |
|----|-------|-------|---------|----------------|--|
| 1 | n.a. | | | n.a. | All the version before 0.50 are for internal use. |
| 2 | n.a. | 98/7 | 0.5 | n.a. | First publication. |
| 3 | P.40 | 99/4 | 0.55 | A1 | Add the content of Diode Selection Register Index 59h(Bank0) |
| 4 | P.42 | 99/4 | 0.55 | A1 | Add the content of VBAT Monitor Control Register Index 5Dh (Bank0) |
| 5 | | | | | |
| 6 | | | | | |
| 7 | | | | | |
| 8 | | | | | |
| 9 | | | | | |
| 10 | | | | | |

Please note that all data and specifications are subject to change without notice. All the trade marks of products and companies mentioned in this data sheet belong to their respective owners.

LIFE SUPPORT APPLICATIONS

These products are not designed for use in life support appliances, devices, or systems where malfunction of these products can reasonably be expected to result in personal injury. Winbond customers using or selling these products for use in such applications do so at their own risk and agree to fully indemnify Winbond for any damages resulting from such improper use or sales.

TABLE OF CONTENTS

| | |
|--|----------|
| 1. GENERAL DESCRIPTION | 1 |
| 2. FEATURES..... | 2 |
| 2.1 MONITORING ITEMS | 2 |
| 2.2 ACTIONS ENABLING | 2 |
| 2.3 GENERAL | 2 |
| 2.4 PACKAGE | 2 |
| 3. KEY SPECIFICATIONS | 3 |
| 4. PIN CONFIGURATION | 3 |
| 5. PIN DESCRIPTION..... | 4 |
| 6. FUNCTIONAL DESCRIPTION..... | 7 |
| 6.1 GENERAL DESCRIPTION | 7 |
| 6.2 ACCESS INTERFACE..... | 7 |
| 6.2.1 ISA interface | 7 |
| 6.2.2 I2C interface..... | 9 |
| 6.2.3 The first serial bus access timing are shown as follow:..... | 9 |
| 6.2.4 The serial bus timing of the temperature 2 and 3 is shown as follow: | 11 |
| 6.3 ANALOG INPUTS | 14 |
| 6.3.1 Monitor over 4.096V voltage: | 15 |
| 6.3.2 Monitor negative voltage: | 15 |
| 6.3.3 Monitor temperature from thermistor:..... | 16 |
| 6.3.4 Monitor temperature from Pentium IITM thermal diode or bipolar transistor 2N3904 | 16 |
| 6.4 FAN SPEED COUNT AND FAN SPEED CONTROL..... | 17 |
| 6.4.1 Fan speed count | 17 |
| 6.4.2 Fan speed control..... | 19 |



| | |
|---|-----------|
| 6.5 TEMPERATURE MEASUREMENT MACHINE | 20 |
| 6.5.1 The W83782D temperature sensor 1 SMI# interrupt has two modes: | 21 |
| 6.5.2 The W83782D temperature sensor 2 and sensor 3 SMI# interrupt has two modes and it is programmed at CR[4Ch] bit 6. | 22 |
| 6.5.3 The W83782D temperature sensor 2 and 3 Over-Temperature (OVT) has two modes, and they are programmed at Bank1 and Bank2 CR[52h] bit1 . These two bits needs to be programmed the same value. | 23 |
| 7. REGISTERS AND RAM | 24 |
| 7.1 ADDRESS REGISTER (PORT X5H) | 24 |
| 7.2 DATA REGISTER (PORT X6H) | 25 |
| 7.3 CONFIGURATION REGISTER $\frac{3}{4}$ INDEX 40H..... | 26 |
| 7.4 INTERRUPT STATUS REGISTER 1 $\frac{3}{4}$ INDEX 41H..... | 26 |
| 7.5 INTERRUPT STATUS REGISTER 2 $\frac{3}{4}$ INDEX 42H..... | 27 |
| 7.6 SMI# MASK REGISTER 1 $\frac{3}{4}$ INDEX 43H..... | 28 |
| 7.7 SMI# MASK REGISTER 2 $\frac{3}{4}$ INDEX 44H..... | 28 |
| 7.8 RESERVED REGISTER $\frac{3}{4}$ INDEX 45H..... | 29 |
| 7.9 CHASSIS CLEAR REGISTER -- INDEX 46H | 29 |
| 7.10 VID/FAN DIVISOR REGISTER $\frac{3}{4}$ INDEX 47H..... | 29 |
| 7.11 SERIAL BUS ADDRESS REGISTER $\frac{3}{4}$ INDEX 48H..... | 30 |
| 7.12 VALUE RAM $\frac{3}{4}$ INDEX 20H- 3FH OR 60H - 7FH (AUTO-INCREMENT)..... | 31 |
| 7.13 VOLTAGE ID (VID4) & DEVICE ID - 49H | 33 |
| 7.14 TEMPERATURE 2 AND TEMPERATURE 3 SERIAL BUS ADDRESS REGISTER--INDEX 4AH.33 | |
| 7.15 PIN CONTROL REGISTER - INDEX 4BH | 34 |
| 7.16 IRQ#/OVT# PROPERTY SELECT - INDEX 4CH..... | 35 |
| 7.17 FAN IN/OUT AND BEEP/GPO# CONTROL REGISTER - INDEX 4DH..... | 36 |
| 7.18 REGISTER 50H ~ 5FH BANK SELECT - INDEX 4EH (NO AUTO INCREASE) | 37 |

| | |
|---|------|
| 7.19 WINBOND VENDOR ID - INDEX 4FH (NO AUTO INCREASE)..... | 37 |
| 7.20 WINBOND TEST REGISTER -- INDEX 50H - 55H (BANK 0)..... | 38 |
| 7.21 BEEP CONTROL REGISTER 1-- INDEX 56H (BANK 0)..... | 38 |
| 7.22 BEEP CONTROL REGISTER 2-- INDEX 57H (BANK 0)..... | 39 |
| 7.23 CHIP ID -- INDEX 58H (BANK 0)..... | 40 |
| 7.24 DIODE SELECTION REGISTER -- INDEX 59H (BANK 0)..... | 40 |
| 7.25 PWMOUT2 CONTROL -- INDEX 5AH (BANK 0)..... | 40-A |
| 7.26 PWMOUT1 CONTROL -- INDEX 5BH (BANK 0)..... | 41 |
| 7.27 PWMOUT1/2 CLOCK SELECT -- INDEX 5CH (BANK 0)..... | 41 |
| 7.28 VBAT MONITOR CONTROL REGISTER -- INDEX 5DH (BANK 0)..... | 42 |
| 7.29 PWMOUT3 CONTROL -- INDEX 5EH (BANK 0)..... | 43 |
| 7.30 PWMOUT4 CONTROL -- INDEX 5FH (BANK 0)..... | 43 |
| 7.31 TEMPERATURE SENSOR 2 TEMPERATURE (HIGH BYTE) REGISTER - INDEX 50H (BANK1)44 | |
| 7.32 TEMPERATURE SENSOR 2 TEMPERATURE (LOW BYTE) REGISTER - INDEX 51H (BANK1)44 | |
| 7.33 TEMPERATURE SENSOR 2 CONFIGURATION REGISTER - INDEX 52H (BANK1)..... | 45 |
| 7.34 TEMPERATURE SENSOR 2 HYSTERESIS (HIGH BYTE) REGISTER - INDEX 53H (BANK 1) .. | 46 |
| 7.35 TEMPERATURE SENSOR 2 HYSTERESIS (LOW BYTE) REGISTER - INDEX 54H (BANK 1) ... | 46 |
| 7.36 TEMPERATURE SENSOR 2 OVER-TEMPERATURE (HIGH BYTE) REGISTER - INDEX 55H (BANK 1) | 47 |
| 7.37 TEMPERATURE SENSOR 2 OVER-TEMPERATURE (LOW BYTE) REGISTER - INDEX 56H (BANK 1) | 47 |
| 7.38 TEMPERATURE SENSOR 3 TEMPERATURE (HIGH BYTE) REGISTER - INDEX 50H (BANK2)48 | |
| 7.39 TEMPERATURE SENSOR 3 TEMPERATURE (LOW BYTE) REGISTER - INDEX 51H (BANK2)48 | |
| 7.40 TEMPERATURE SENSOR 3 CONFIGURATION REGISTER - INDEX 52H (BANK 2)..... | 48 |
| 7.41 TEMPERATURE SENSOR 3 HYSTERESIS (HIGH BYTE) REGISTER - INDEX 53H (BANK 2) .. | 49 |
| 7.42 TEMPERATURE SENSOR 3 HYSTERESIS (LOW BYTE) REGISTER - INDEX 54H (BANK 2) ... | 49 |
| 7.43 TEMPERATURE SENSOR 3 OVER-TEMPERATURE (HIGH BYTE) REGISTER - INDEX 55H (BANK 2) | 50 |
| 7.44 TEMPERATURE SENSOR 3 OVER-TEMPERATURE (LOW BYTE) REGISTER - INDEX 56H (BANK 2) | 50 |
| 7.45 INTERRUPT STATUS REGISTER 3¾ INDEX 50H (BANK4)..... | 51 |
| 7.46 SMI# MASK REGISTER 3¾ INDEX 51H (BANK 4)..... | 51 |
| 7.47 BEEP CONTROL REGISTER 3-- INDEX 53H (BANK 4)..... | 52 |
| 7.48 RESERVED REGISTER - INDEX 54H--58H (BANK 4)..... | 52 |



| | |
|--|-----------|
| 7.49 REAL TIME HARDWARE STATUS REGISTER I -- INDEX 59H (BANK 4)..... | 53 |
| 7.50 REAL TIME HARDWARE STATUS REGISTER II -- INDEX 5AH (BANK 4)..... | 54 |
| 7.51 REAL TIME HARDWARE STATUS REGISTER III -- INDEX 5BH (BANK 4)..... | 54 |
| 7.52 PWMOUT3/4 CLOCK SELECT -- INDEX 5CH (BANK 4) | 55 |
| 7.53 VALUE RAM 2 ^{3/4} INDEX 50H - INDEX 5AH (AUTO-INCREMENT) (BANK 5)..... | 56 |
| 7.54 WINBOND TEST REGISTER - INDEX 50H (BANK 6) | 56 |
| 8. SPECIFICATIONS | 57 |
| 8.1 ABSOLUTE MAXIMUM RATINGS..... | 57 |
| 8.2 DC CHARACTERISTICS | 57 |
| 8.3 AC Characteristics..... | 59 |
| 8.3.1 ISA Read/Write Interface Timing | 59 |
| 8.3.2 Serial Bus Timing Diagram..... | 60 |
| 9. HOW TO READ THE TOP MARKING | 61 |
| 10. PACKAGE DIMENTIONS..... | 62 |
| 11. APPLICATION CIRCUIT OF WINBOND W83782D / 781D | 63 |



WINBOND H/W MONITORING IC

1. GENERAL DESCRIPTION

W83782D is an evolving version of W83782D --- Winbond's most popular hardware status monitoring IC. The W83782D can be used to monitor several critical hardware parameters of the system, including power supply voltages, fan speeds, and temperatures, which are very important for a high-end computer system to work stable and properly. W83782D provides both ISA and I²C™ serial bus interface.

An 8-bit analog-to-digital converter (ADC) was built inside W83782D. The W83782D can simultaneously monitor 9 analog voltage inputs, 2 fan tachometer inputs, 3 remote temperature, one case-open detection signal. The remote temperature sensing can be performed by thermistors, or 2N3904 NPN-type transistors, or directly from Intel™ Deschutes CPU thermal diode output. Also the W83782D provides: 4 PWM (pulse width modulation) outputs for the fan speed control; beep tone output for warning; SMI#, OVT#, GPO# signals for system protection events.

Through the application software or BIOS, the users can read all the monitored parameters of system from time to time. And a pop-up warning can be also activated when the monitored item was out of the proper/preset range. The application software could be Winbond's Hardware Doctor™, or Intel™ LDCM (LanDesk Client Management), or other management application software. Also the users can set up the upper and lower limits (alarm thresholds) of these monitored parameters and to activate one programmable and maskable interrupts. An optional beep tone could be used as warning signal when the monitored parameters is out of the preset range.

Additionally, 5 VID inputs are provided to read the VID of CPU (i.e. Pentium™ II) if applicable. This is to provide the Vcore voltage correction automatically. Also W83782D uniquely provides an optional feature: early stage (before BIOS was loaded) beep warning. This is to detect if the fatal elements present --- Vcore or +3.3V voltage fail, and the system can not be boomed up. Also there are 3 specific pins to provide selectable address setting for application of multiple devices (up to 8 devices) wired through I²C™ interface.



2. FEATURES

2.1 Monitoring Items

- 3 thermal inputs from remote thermistors or 2N3904 NPN-type transistors or Pentium™ II (Deschutes) thermal diode output
- 9 voltage inputs
 - typical for Vcore, +3.3V, +12V, -12V, +5V, -5V, +5V Vsb, Vbat, and one reserved
- 3 fan speed monitoring inputs
- Case open detection input
- WATCHDOG comparison of all monitored values
- Programmable hysteresis and setting points (alarm thresholds) for all monitored items

2.2 Actions Enabling

- Beep tone warning
- 4 PWM (pulse width modulation) outputs for fan speed control (3 are MUX optional)
 - Total up to 3 sets of fan speed monitoring and controlling
- Issue SMI#, OVT#, GPO# signals to activate system protection
- Warning signal pop-up in application software

2.3 General

- ISA and I²C™ serial bus interface
- 5 VID input pins for CUP Vcore identification (for Pentium™ II)
- Initial power fault beep (for +3.3V, Vcore)
- Master reset input to W83782D
- Independent power plane of digital Vcc and analog Vcc (inputs to IC)
- 3 pins (IA0, IA1, IA2) to provide selectable address setting for application of multiple devices (up to 8 devices) wired through I²C™ interface
- Intel™ LDCM (DMI driver 2.0) support
- Acer™ ADM (DMI driver 2.0) support
- Winbond hardware monitoring application software (Hardware Doctor™) support, for both Windows 95/98 and Windows NT 4.0/5.0
- Input clock rate optional for 24, 48, 14.318 Mhz
- 5V Vcc operation

2.4 Package

- 48-pin LQFP

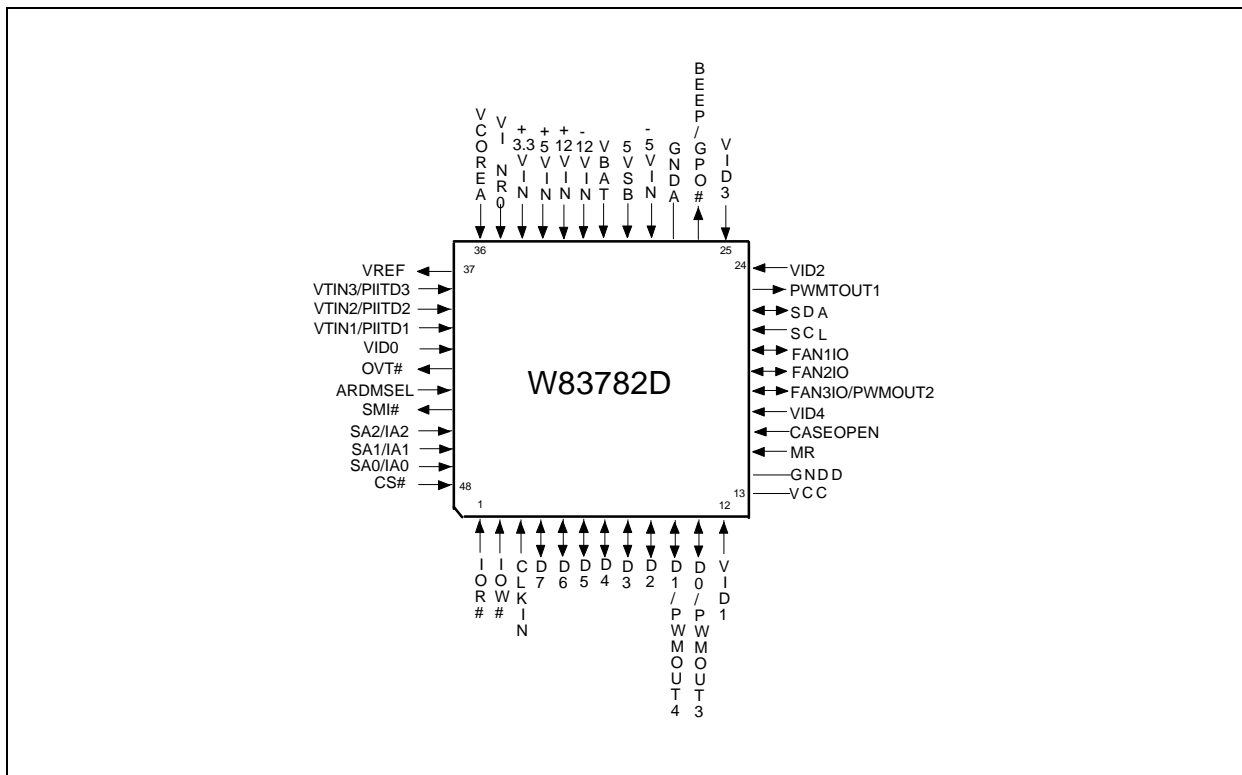
Preliminary W83782D



3. KEY SPECIFICATIONS

- Voltage monitoring accuracy ±1% (Max)
- Monitoring Temperature Range and Accuracy ± 3°C(Max)
- 40°C to +120°C
- Supply Voltage 5V
- Operating Supply Current 5 mA typ.
- ADC Resolution 8 Bits

4. PIN CONFIGURATION



5. PIN DESCRIPTION

- I/O_{12t} - TTL level bi-directional pin with 12 mA source-sink capability
- I/O_{12ts} - TTL level and schmitt trigger
- OUT₁₂ - Output pin with 12 mA source-sink capability
- AOUT - Output pin(Analog)
- OD₁₂ - Open-drain output pin with 12 mA sink capability
- IN_t - TTL level input pin
- IN_{ts} - TTL level input pin and schmitt trigger
- AIN - Input pin(Analog)

| PIN NAME | PIN NO. | TYPE | DESCRIPTION |
|-----------------------|---------|---|---|
| IOR# | 1 | IN _{ts} | An active low standard ISA bus I/O Read Control. |
| IOW# | 2 | IN _{ts} | An active low standard ISA bus I/O Write Control. |
| CLKIN | 3 | IN _t | System clock input. Can select 48MHz or 24MHz or 14.318MHz. The default is 24MHz. |
| D7~D2 | 4-9 | I/O _{12t} | Bi-directional ISA bus Data lines. D0 corresponds to the low order bit, with D7 the high order bit. These pins are activated if pin ADRMSEL=0. |
| D1 / PWMOUT4 | 10 | I/O _{12t} OUT ₁₂ | Bi-directional ISA bus Data lines. This pin is activated if pin ADRMSEL=0. / Fan speed control PWM output. This pin is activated if pin ADRMSEL=1. |
| D0 / PWMOUT3 | 11 | I/O _{12t} OUT ₁₂ | Bi-directional ISA bus Data lines. This pin is activated if pin ADRMSEL=0. / Fan speed control PWM output. This pin is activated if pin ADRMSEL=1. |
| VID1 | 12 | IN _t | Voltage Supply readouts from P6. This value is read in the VID/Fan Divisor Register. |
| V _{CC} (+5V) | 13 | POWER | +5V V _{CC} power. Bypass with the parallel combination of 10μF (electrolytic or tantalum) and 0.1μF (ceramic) bypass capacitors. |
| GNDD | 14 | DGROUND | Internally connected to all digital circuitry. |
| MR | 15 | IN _{ts} | Master reset input. |
| CASEOPEN# | 16 | IN _t | CASE OPEN detection . An active low input from an external device when case is opened. This signal can be latched if pin VBAT is connect to battery, even W83782D is power off. |
| VID4 | 17 | IN _t | Voltage Supply readouts from P6. This value is read in the bit <0> of Device ID Register. |

Preliminary W83782D



Pin Discription, continued

| PIN NAME | PIN NO. | TYPE | DESCRIPTION |
|--------------------|---------|--------------------|--|
| FAN3IO/ PWMOUT2 | 18 | I/O _{12t} | 0V to +5V amplitude fan tachometer input. / Fan speed control PWM output. |
| FAN2IO- FAN1IO | 19-20 | I/O _{12t} | 0V to +5V amplitude fan tachometer input / Fan on-off control output. These multi-functional pins can be programmable input or output. |
| SCL | 21 | IN _{ts} | Serial Bus Clock. |
| SDA | 22 | OD ₁₂ | Serial Bus bi-directional Data. |
| PWMOUT1 | 23 | OUT ₁₂ | Fan speed control PWM output. |
| VID2 | 24 | IN _t | Voltage Supply readouts from P6. This value is read in the VID/Fan Divisor Register. |
| VID3 | 25 | IN _t | Voltage Supply readouts from P6. This value is read in the VID/Fan Divisor Register. |
| BEEP/GPO# | 26 | OD ₁₂ | Beep (Default) / General purpose output This multi-functional pin is programmable. |
| GND A | 27 | AGROUND | Internally connected to all analog circuitry. The ground reference for all analog inputs. |
| -5VIN | 28 | AIN | 0V to 4.096V FSR Analog Inputs. |
| 5VSB | 29 | AIN | 0V to 4.096V FSR Analog Inputs. |
| VBAT | 30 | AIN | 0V to 4.096V FSR Analog Inputs. (This pin should be connected to 3V BATTERY.) |
| -12VIN | 31 | AIN | 0V to 4.096V FSR Analog Inputs. |
| +12VIN | 32 | AIN | 0V to 4.096V FSR Analog Inputs. |
| +5VIN | 33 | AIN | This pin is Analog Vcc and connects internal monitor channel IN3 with fixed scale. |
| +3.3VIN | 34 | AIN | 0V to 4.096V FSR Analog Inputs. |
| VINR0 | 35 | AIN | 0V to 4.096V FSR Analog Inputs. |
| VCOREA | 36 | AIN | 0V to 4.096V FSR Analog Inputs. |
| VREF | 37 | AOUT | Reference Voltage. |
| VTIN3 / PIITD3 | 38 | AIN | Thermistor 3 terminal input.(Default) / Pentium™ II diode 3 input. This multi-functional pin is programmable. |

Preliminary W83782D



Pin Discription, continued

| PIN NAME | PIN NO. | TYPE | DESCRIPTION |
|-------------------|---------|------------------|--|
| VTIN2 / PIITD2 | 39 | AIN | Thermistor 2 terminal input. (Default)/ Pentium™ II diode 2 input. This multi-functional pin is programmable. |
| VTIN1 / PIITD1 | 40 | AIN | Thermistor 1 terminal input. (Default)/ Pentium™ II diode 1 input. This multi-functional pin is programmable. |
| VID0 | 41 | IN _t | Voltage Supply readouts from P6. This value is read in the VID/Fan Divisor Register. |
| OVT# | 42 | OD ₁₂ | Over temperature Shutdown Output. |
| ADRMSEL | 43 | IN _t | Pin 45--47 mode selection. 0 = The 3 lowest order bits of ISA Address Bus.(Default, internal pull-down 47K ohm) 1 = 7 bit I ² C™ address setting pin.(bit2 - bit0) |
| SMI# | 44 | OD ₁₂ | System Management Interrupt (open drain). This output is enabled when Bit 1 in the Configuration Register is set to 1. The default state is disabled. |
| SA2-SA0 | 45-47 | IN _t | The three lowest order bits of the 16-bit ISA Address Bus. A0 corresponds to the lowest order bit. (Default, when ARDMSEL =0 or left open) |
| IA2,IA1,IA0 | | IN _t | The hardware setting pin of 7 bit I ² C™ serial address bit2, bit1 and bit0 at CR[48h]. (When ARDMSEL =1) |
| CS# | 48 | IN _t | Chip Select input from an external decoder which decodes high order address bits on the ISA Address Bus. This is an active low input. |

6. FUNCTIONAL DESCRIPTION

6.1 General Description

The W83782D provides 7 analog positive inputs, 3 fan speed monitors, at most 4 sets for fan PWM (Pulse Width Modulation) control, 3 thermal inputs from remote thermistors or 2N3904 transistors or Pentium™ II (Deschutes) thermal diode outputs, case open detection and beep function output when the monitor value exceed the set limit value including voltage, temperature, or fan counter. When start the monitor function on the chip, the watch dog machine monitor every function and store the value to registers. If the monitor value exceeds the limit value, the interrupt status will be set to 1.

6.2 Access Interface

The W83782D provides two interface for microprocessor to read/write internal registers.

6.2.1 ISA interface

The first interface uses ISA Bus to access which the ports of low byte (bit2~bit0) are defined in the port 5h and 6h. The high byte (from ISA address bus bit15~bit3) of these ports is decoded by Chip Select (CS#), the general decoded address is set to port 295h and port 296h. These two ports are described as following:

Port 295h: W83782D Index register port.

Port 296h: Data port.

The register structure is showed as the Figure 1.

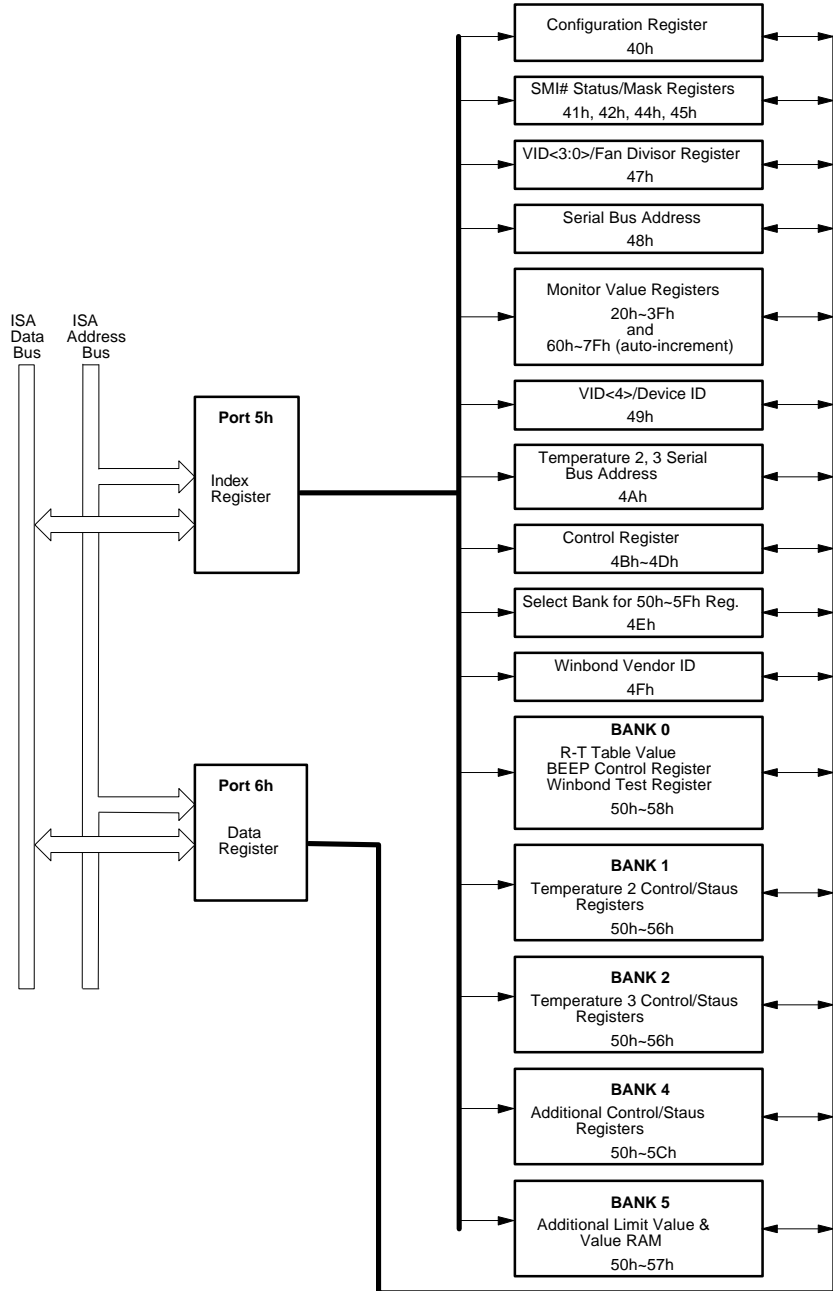


Figure 1. ISA interface access diagram

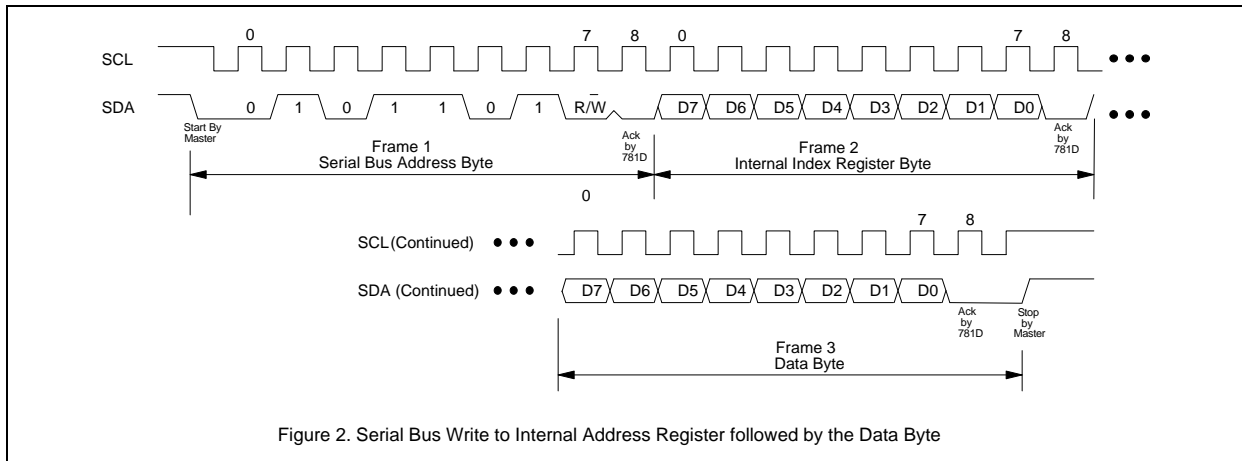
6.2.2 I²C interface

The second interface uses I²C Serial Bus. In the W83782D has three serial bus address. That is, the first address defined at CR[48h] can read/write all registers excluding Bank 1 and Bank 2 temperature sensor 2/3 registers. The second address defined at CR[4Ah] bit2-0 only read/write temperature sensor 2 registers, and the third address defined at CR[4Ah] bit6-4 only can access (read/write) temperature sensor 3 registers.

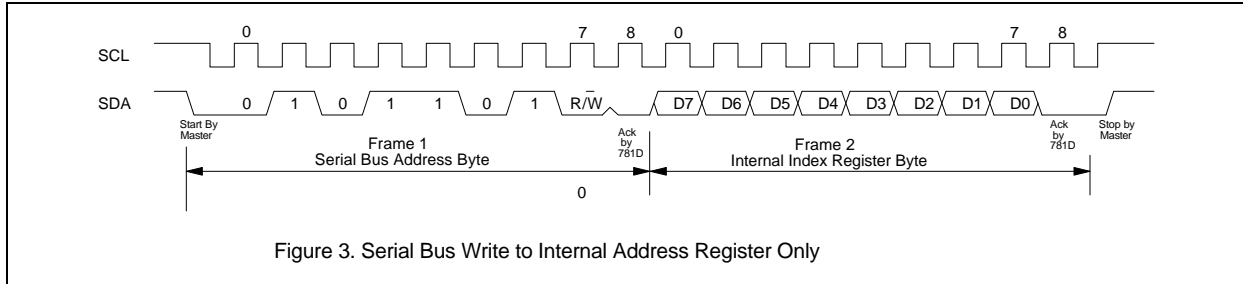
The first serial bus address of W83782D has 3 hardware setting bits set by pin47-45 when pin 43 is set to high. The address is 00101[pin45][pin46][pin47]. If pin45=1, pin46=1, pin47=0, for example, the content of CR[48h] is 00101110. If CR[4Ah] bit 2-0 is XXX, the temperature sensor 2 serial address is 1001XXXG, in which G is the read/write bit. If CR[4Ah] bit 6-4 is YYY, the temperature sensor 3 serial address is 1001YYYG, in which G is the read/write bit.

6.2.3 The first serial bus access timing are shown as follow:

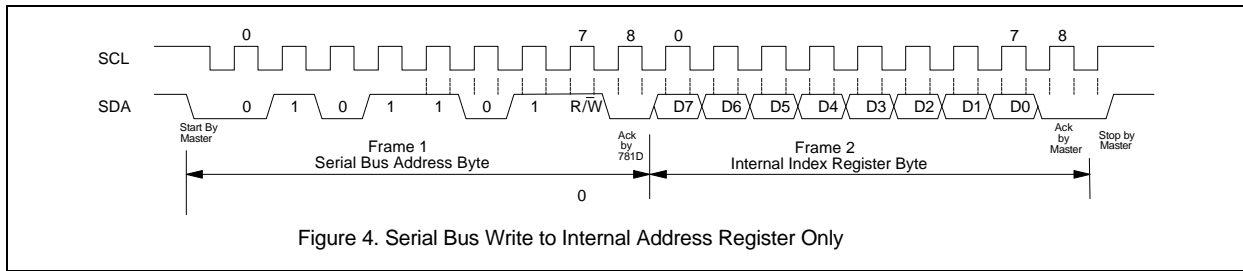
(a) Serial bus write to internal address register followed by the data byte



(b) Serial bus write to internal address register only

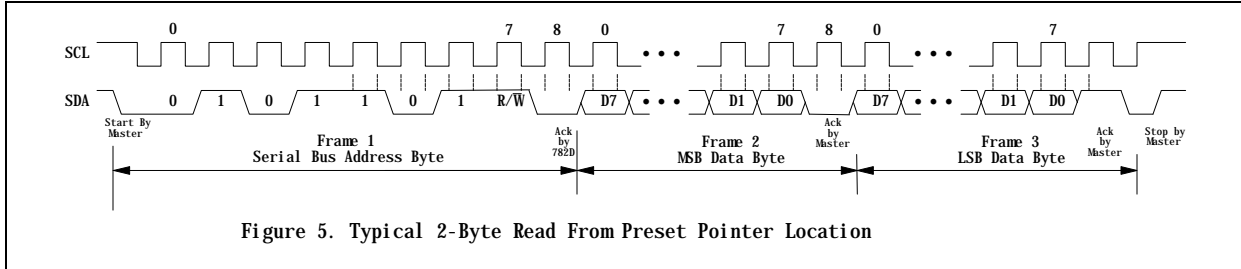


(c) Serial bus read from a register with the internal address register prefer to desired location

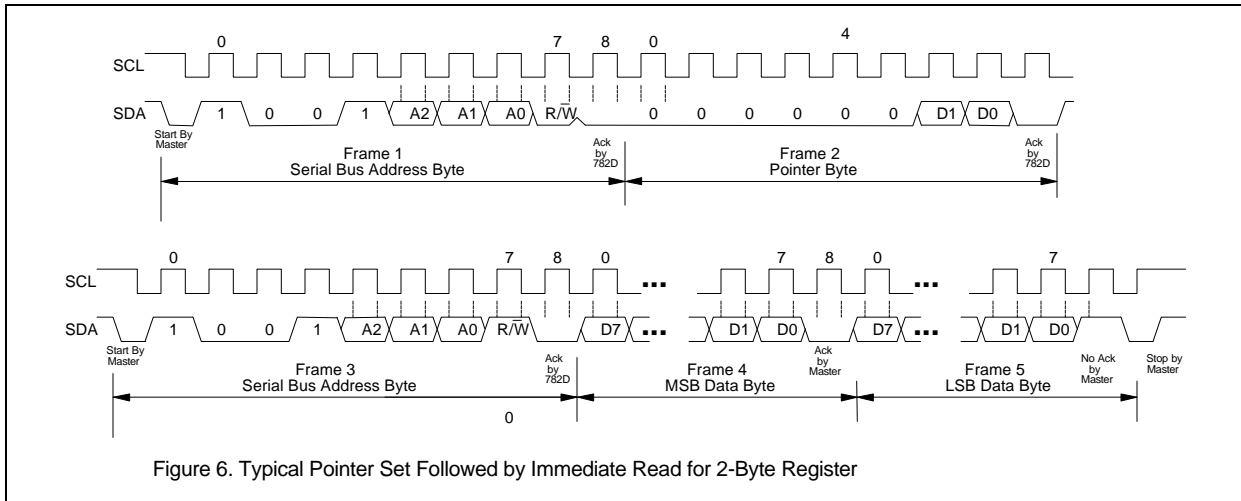


6.2.4 The serial bus timing of the temperature 2 and 3 is shown as follow:

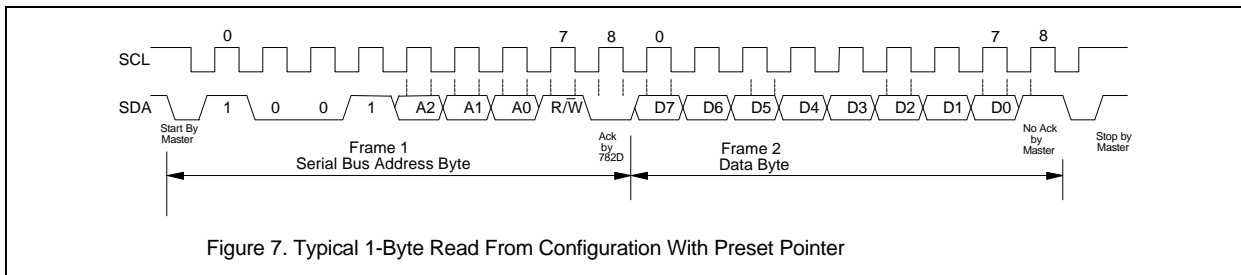
(a) Typical 2-byte read from preset pointer location (Temp, T_{OS} , T_{HYST})



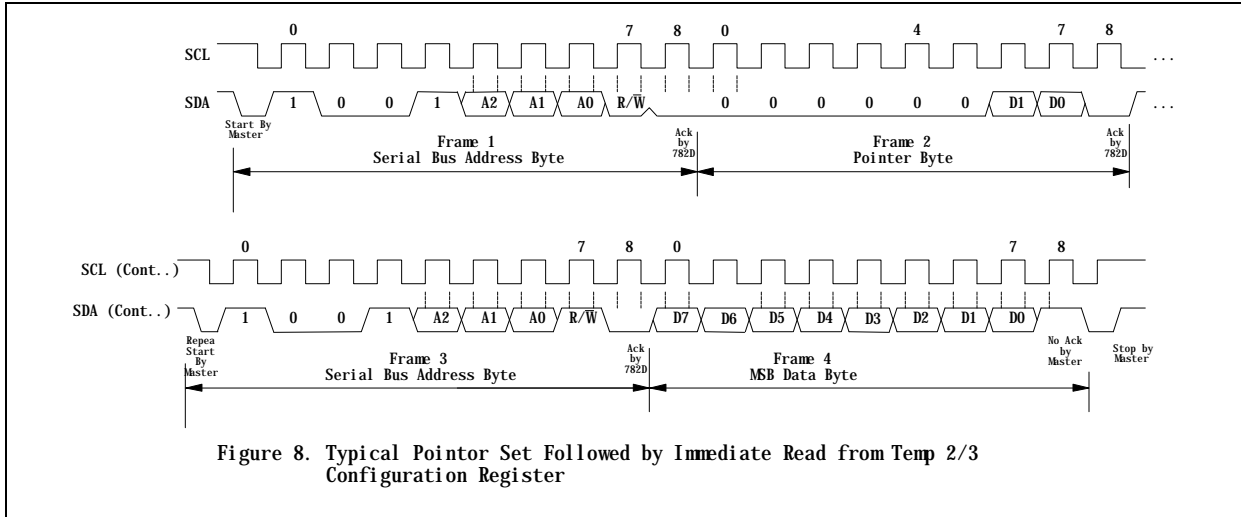
(b) Typical pointer set followed by immediate read for 2-byte register (Temp, T_{OS} , T_{HYST})



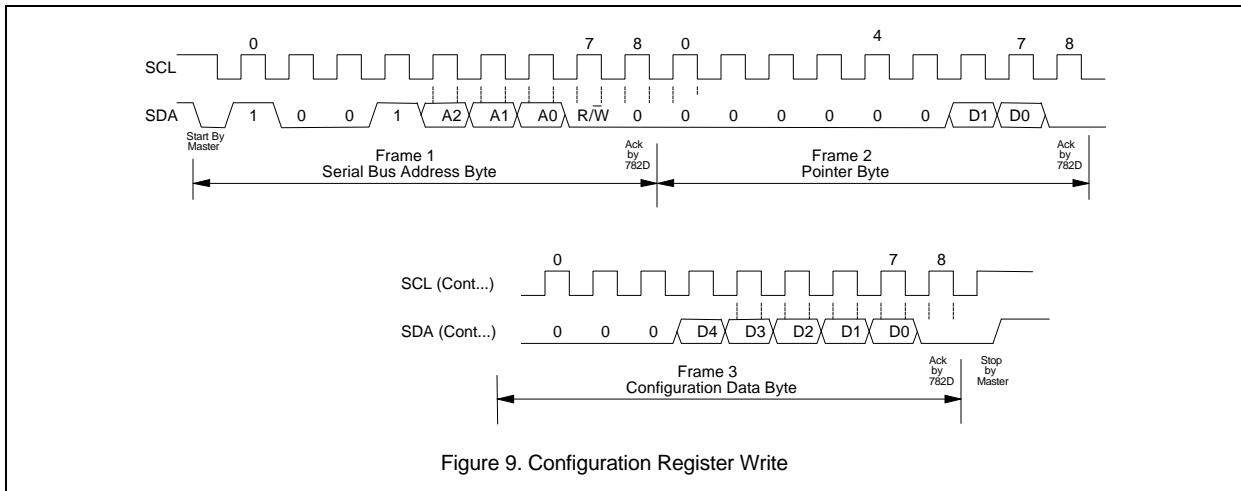
(c) Typical read 1-byte from configuration register with preset pointer



(d) Typical pointer set followed by immediate read from configuration register



(e) Temperature 2/3 configuration register Write



(f) *Temperature 2/3 T_{OS} and T_{HYST} write*

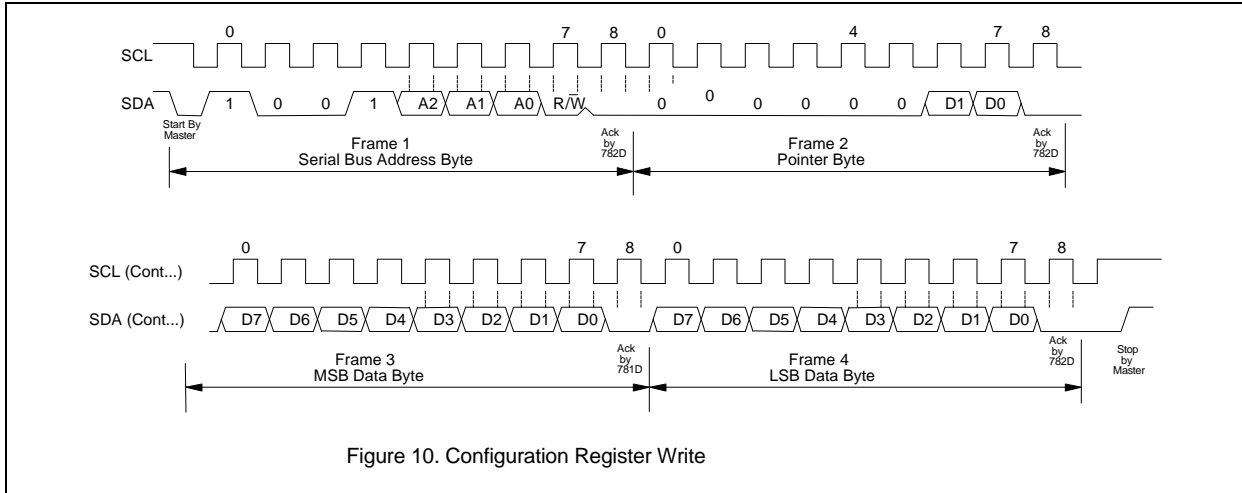


Figure 10. Configuration Register Write

6.3 Analog Inputs

The maximum input voltage of the analog pin is 4.096V because the 8-bit ADC has a 16mV LSB. Really, the application of the PC monitoring would most often be connected to power suppliers. The CPU V-core voltage ,+3.3V and battery voltage can directly connected to these analog inputs. The 5VSB and +12V inputs should be reduced a factor with external resistors so as to obtain the input range. As Figure 11 shows.

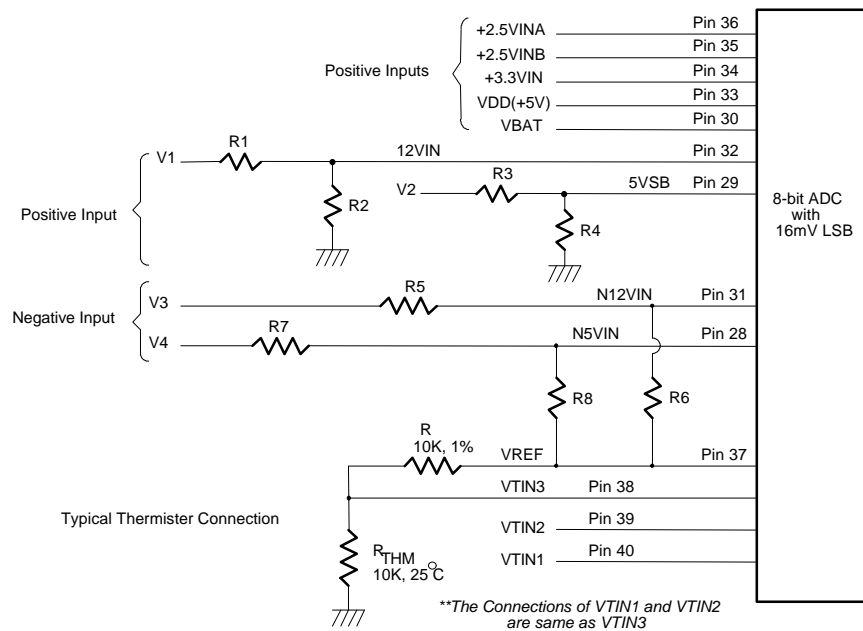


Figure 11.

6.3.1 Monitor over 4.096V voltage:

The input voltage +12VIN can be expressed as following equation.

$$12VIN = V_1 \times \frac{R_2}{R_1 + R_2}$$

The value of R1 and R2 can be selected to 28K Ohms and 10K Ohms, respectively, when the input voltage V1 is 12V. The node voltage of +12VIN can be subject to less than 4.096V for the maximum input range of the 8-bit ADC. Similarly, the node voltage of 5VSB (measure standby power VSB for ATX power supply) also can be evaluated by using two series resistors R3 and R4 which real value can be 5.1K ohms and 7.5K ohms so as to obtain the 5VSB is limited to less than 4.096V. The Pin 33 is connected to the power supply VCC with +5V. There are two functions in this pin with 5V. The first function is to supply internal analog power in the W83782D and the second function is that this voltage with 5V is connected to internal serial resistors to monitor the +5V voltage. The value of two serial resistors are 34K ohms and 50K ohms so that input voltage to ADC is 2.98V which is less than 4.096V of ADC maximum input voltage. The express equation can represent as follows.

$$V_{in} = VCC \times \frac{50K\Omega}{50K\Omega + 34K\Omega} \cong 2.98V$$

where VCC is set to 5V.

6.3.2 Monitor negative voltage:

The negative voltage should be connected two series resistors and a positive voltage VREF (is equal to 3.6V). In the Figure 11, the voltage V3 and V4 are two negative voltage which they are -12V and -5V respectively. The voltage V3 is connected to two serial resistors then is connected to another terminal VREF which is positive voltage. So as that the voltage node N12VIN can be obtain a posedge voltage if the scales of the two serial resistors are carefully selected. It is recommended from Winbond that the scale of two serial resistors are R5=232K ohms and R6=56K ohm. The input voltage of node -12VIN can be calculated by following equation.

$$N12VIN = (VREF + |V_5|) \times \left(\frac{232K\Omega}{232K\Omega + 56K\Omega} \right) + V_5$$

where VREF is equal 3.6V.

If the V5 is equal to -12V then the voltage is equal to 0.567V and the converted hexadecimal data is set to 35h by the 8-bit ADC with 16mV-LSB. This monitored value should be converted to the real negative voltage and the express equation is shown as follows.

$$V_5 = \frac{N12VIN - VREF \times b}{1 - b}$$



Where b is $232K/(232K+56K)$. If the $N2VIN$ is 0.567 then the $V5$ is approximately equal to -12V.

The another negative voltage input $V6$ (approximate -5V) also can be evaluated by the similar method and the serial resistors can be selected with $R7=120K$ ohms and $R8=56K$ ohms by the Winbond recommended. The expression equation of $V6$ With -5V voltage is shown as follows.

$$V_6 = \frac{N5VIN - VREF \times g}{1 - g}$$

Where the b is set to $120K/(120K+56K)$. If the monitored ADC value in the $N5VIN$ channel is 0.8635, $VREF=3.6V$ and the parameter b is 0.6818 then the negative voltage of $V6$ can be evaluated to be -5V.

6.3.3 Monitor temperature from thermistor:

The W83782D can connect three thermistors to measure three different environment temperature. The specification of thermistor should be considered to (1) β value is 3435K, (2) resistor value is 10K ohms at 25°C. In the Figure 11, the thermistor is connected by a serial resistor with 10K Ohms, then connect to $VREF$ (Pin 37).

6.3.4 Monitor temperature from Pentium II™ thermal diode or bipolar transistor 2N3904

The W83782D can alternate the thermistor to Pentium II™ (Deschutes) thermal diode interface or transistor 2N3904 and the circuit connection is shown as Figure 12. The pin of Pentium II™ D- is connected to power supply ground (GND) and the pin D+ is connected to pin PIITDx in the W83782D. The resistor $R=30K$ ohms should be connected to $VREF$ to supply the diode bias current and the bypass capacitor $C=3300pF$ should be added to filter the high frequency noise. The transistor 2N3904 should be connected to a form with a diode, that is, the Base (B) and Collector (C) in the 2N3904 should be tied together to act as a thermal diode.

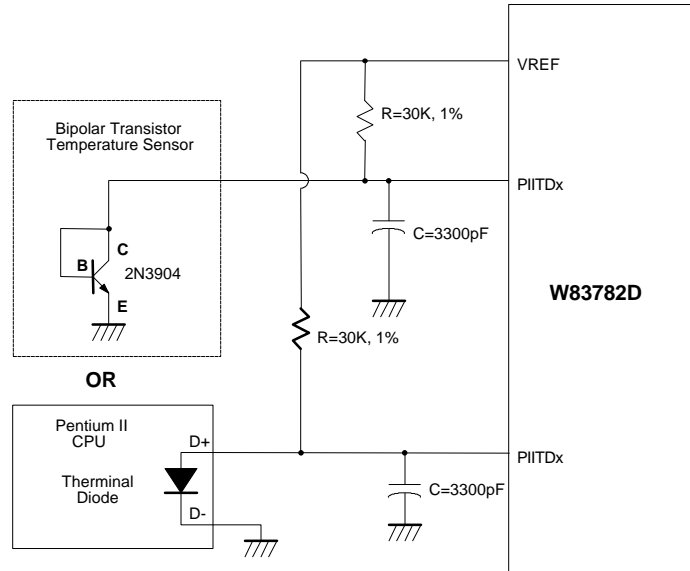


Figure 12.

6.4 FAN Speed Count and FAN Speed Control

6.4.1 Fan speed count

Inputs are provided for signals from fans equipped with tachometer outputs. The level of these signals should be set to TTL level, and maximum input voltage can not be over +5.5V. If the input signals from the tachometer outputs are over the VCC, the external trimming circuit should be added to reduce the voltage to obtain the input specification. The normal circuit and trimming circuits are shown as Figure 13.

Determine the fan counter according to:

$$\text{Count} = \frac{1.35 \times 10^6}{\text{RPM} \times \text{Divisor}}$$

In other words, the fan speed counter has been read from register CR28 or CR29 or CR2A, the fan speed can be evaluated by the following equation.

$$\text{RPM} = \frac{1.35 \times 10^6}{\text{Count} \times \text{Divisor}}$$

Preliminary W83782D



The default divisor is 2 and defined at CR47.bit7~4, CR4B.bit7~6, and Bank0 CR5D.bit5~7 which are three bits for divisor. That provides very low speed fan counter such as power supply fan. The followed table is an example for the relation of divisor, PRM, and count.

| Divisor | Nominal PRM | Time per Revolution | Counts | 70% RPM | Time for 70% |
|--------------------|--------------------|----------------------------|---------------|----------------|---------------------|
| 1 | 8800 | 6.82 ms | 153 | 6160 | 9.74 ms |
| 2 (default) | 4400 | 13.64 ms | 153 | 3080 | 19.48 ms |
| 4 | 2200 | 27.27 ms | 153 | 1540 | 38.96 ms |
| 8 | 1100 | 54.54 ms | 153 | 770 | 77.92 ms |
| 16 | 550 | 109.08 ms | 153 | 385 | 155.84 ms |
| 32 | 275 | 218.16 ms | 153 | 192 | 311.68 ms |
| 64 | 137 | 436.32 ms | 153 | 96 | 623.36 ms |
| 128 | 68 | 872.64 ms | 153 | 48 | 1246.72 ms |

Table 1.

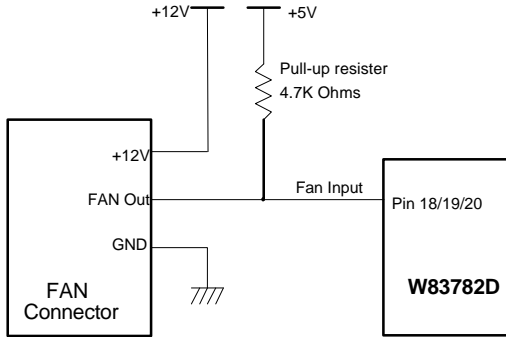


Figure 13-1. Fan with Tach Pull-Up to +5V

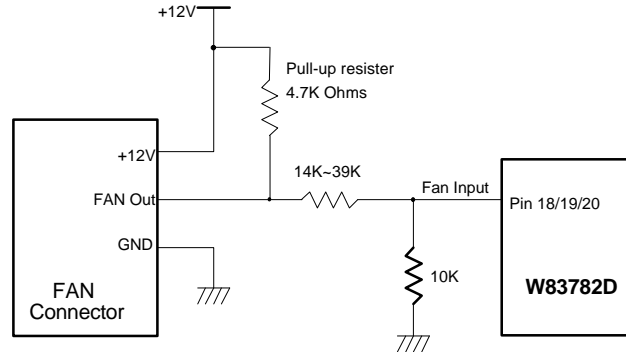


Figure 13-2. Fan with Tach Pull-Up to +12V, or Totem-Pole Output and Register Attenuator

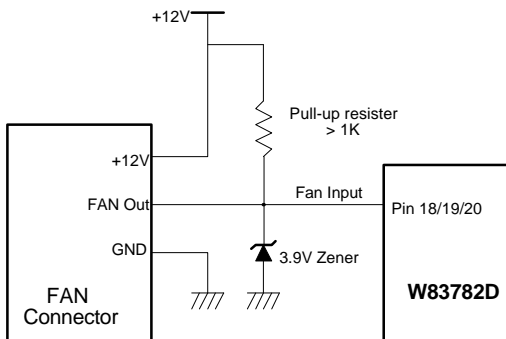


Figure 13-3. Fan with Tach Pull-Up to +12V and Zener Clamp

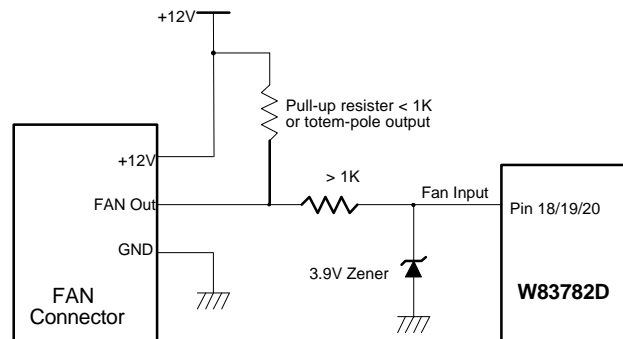


Figure 13-4. Fan with Tach Pull-Up to +12V, or Totem-Pole Output and Zener Clamp

6.4.2 Fan speed control

The W83782D provides four sets for fan PWM speed control. The duty cycle of PWM can be programmed by a 8-bit registers which are defined in the Bank0 CR5A, CR5B, CR5E, and CR5F. The default duty cycle is set to 100%, that is, the default 8-bit registers is set to FFh. The expression of duty can be represented as follows.

$$\text{Duty - cycle(\%)} = \frac{\text{Programmed 8 - bit Register Value}}{255} \times 100\%$$

The PWM clock frequency also can be program and defined in the Bank0.CR5C and Bank4.CR5C. The application circuit is shown as follows.

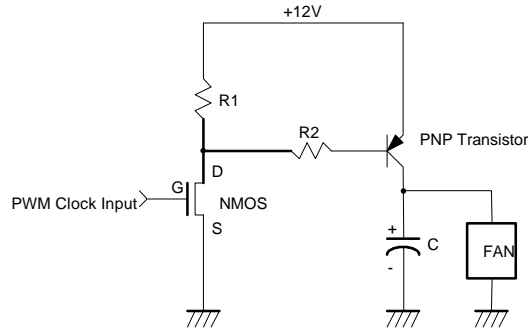


Figure 14.

6.5 Temperature Measurement Machine

The temperature data format is 8-bit two's-complement for sensor 1 and 9-bit two's-complement for sensor 2/3. The 8-bit temperature data can be obtained by reading the CR[27h]. The 9-bit temperature data can be obtained by reading the 8 MSBs from the Bank1/2 CR[50h] and the LSB from the Bank1/2 CR[51h] bit 7. The format of the temperature data is show in Table 1.

| Temperature | 8-Bit Digital Output | | 9-Bit Digital Output | |
|-------------|----------------------|-----------|----------------------|-----------|
| | 8-Bit Binary | 8-Bit Hex | 9-Bit Binary | 9-Bit Hex |
| +125°C | 0111,1101 | 7Dh | 0,1111,1010 | 0FAh |
| +25°C | 0001,1001 | 19h | 0,0011,0010 | 032h |
| +1°C | 0000,0001 | 01h | 0,0000,0010 | 002h |
| +0.5°C | - | - | 0,0000,0001 | 001h |
| +0°C | 0000,0000 | 00h | 0,0000,0000 | 000h |
| -0.5°C | - | - | 1,1111,1111 | 1FFh |
| -1°C | 1111,1111 | FFh | 1,1111,1110 | 1FFh |
| -25°C | 1110,0111 | E7h | 1,1100,1110 | 1CEh |
| -55°C | 1100,1001 | C9h | 1,1001,0010 | 192h |

Table 2.

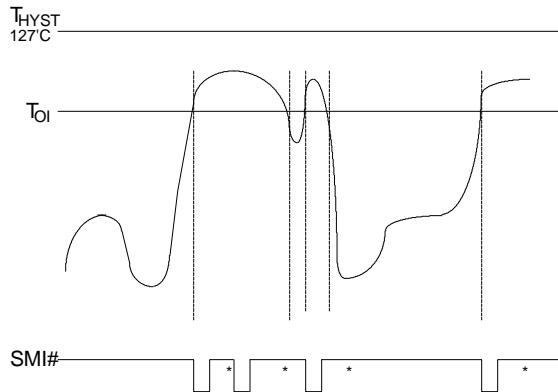
6.5.1 The W83782D temperature sensor 1 SMI# interrupt has two modes:

(1) Comparator Interrupt Mode

Setting the T_{HYST} (Temperature Hysteresis) limit to 127°C will set temperature sensor 1 SMI# to the Comparator Interrupt Mode. Temperature exceeds T_O (Over Temperature) Limit causes an interrupt and this interrupt will be reset by reading all the Interrupt Status Register. Once an interrupt event has occurred by exceeding T_O , then reset, if the temperature remains above the T_O , the interrupt will occur again when the next conversion has completed. If an interrupt event has occurred by exceeding T_O and not reset, the interrupts will not occur again. The interrupts will continue to occur in this manner until the temperature goes below T_O . (Figure 16-1)

(2) Two-Times Interrupt Mode

Setting the T_{HYST} lower than T_O will set temperature sensor 1 SMI# to the Two-Times Interrupt Mode. Temperature exceeding T_O causes an interrupt and then temperature going below T_{HYST} will also cause an interrupt if the previous interrupt has been reset by reading all the interrupt Status Register. Once an interrupt event has occurred by exceeding T_O , then reset, if the temperature remains above the T_{HYST} , the interrupt will not occur. (Figure 15-2)



*Interrupt Reset when Interrupt Status Registers are read

Figure 15-1. Comparator Interrupt Mode

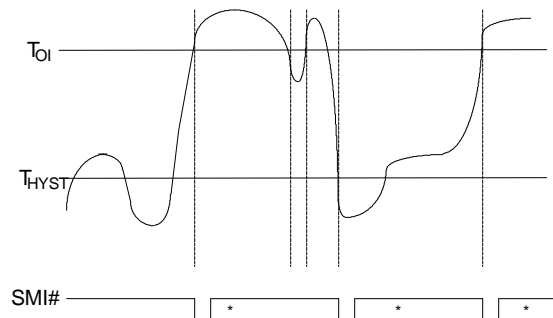


Figure 15-2. Two-Times Interrupt Mode



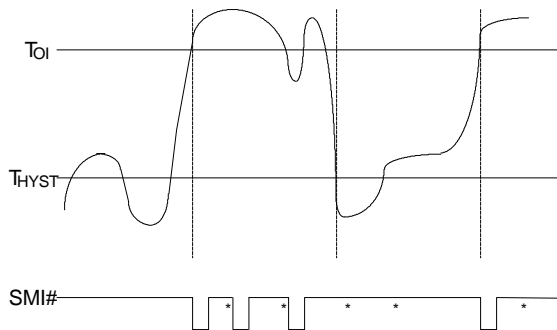
6.5.2 The W83782D temperature sensor 2 and sensor 3 SMI# interrupt has two modes and it is programmed at CR[4Ch] bit 6.

(1) Comparator Interrupt Mode

Temperature exceeding T_O causes an interrupt and this interrupt will be reset by reading all the Interrupt Status Register. Once an interrupt event has occurred by exceeding T_O , then reset, if the temperature remains above the T_{HYST} , the interrupt will occur again when the next conversion has completed. If an interrupt event has occurred by exceeding T_O and not reset, the interrupts will not occur again. The interrupts will continue to occur in this manner until the temperature goes below T_{HYST} . (Figure 16-1)

(2) Two-Times Interrupt Mode

Temperature exceeding T_O causes an interrupt and then temperature going below T_{HYST} will also cause an interrupt if the previous interrupt has been reset by reading all the interrupt Status Register. Once an interrupt event has occurred by exceeding T_O , then reset, if the temperature remains above the T_{HYST} , the interrupt will not occur. (Figure 16-2)



*Interrupt Reset when Interrupt Status Registers are read

Figure 16-1. Comparator Interrupt Mode

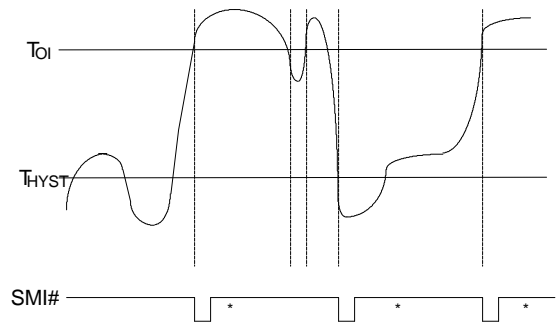


Figure 16-2. Two-Times Interrupt Mode

6.5.3 The W83782D temperature sensor 2 and 3 Over-Temperature (OVT#) has two modes, and they are programmed at Bank1 and Bank2 CR[52h] bit1 . These two bits needs to be programmed the same value.

(1) Comparator Mode :

Temperature exceeding T_O causes the OVT# output activated until the temperature is less than T_{HYST} . (Figure 17)

(2) Interrupt Mode:

Temperature exceeding T_O causes the OVT# output activated indefinitely until reset by reading temperature sensor 2 or sensor 3 registers. Temperature exceeding T_O , then OVT# reset, and then temperature going below T_{HYST} will also cause the OVT# activated indefinitely until reset by reading temperature sensor2 or sensor 3 registers. Once the OVT# is activated by exceeding T_O , then reset, if the temperature remains above T_{HYST} , the OVT# will not be activated again.(Figure 17)

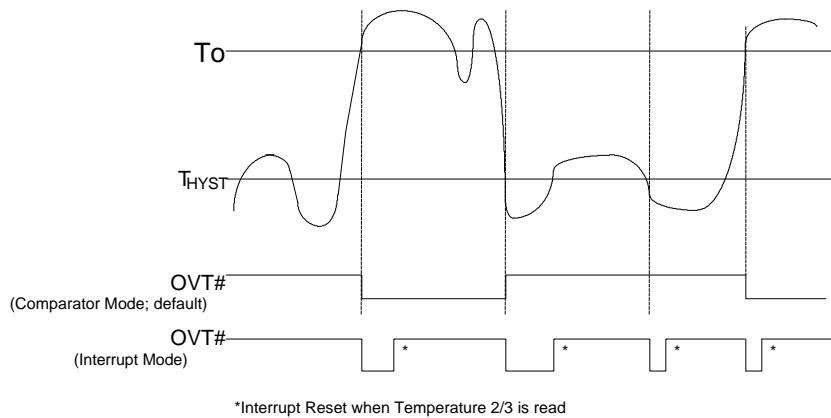


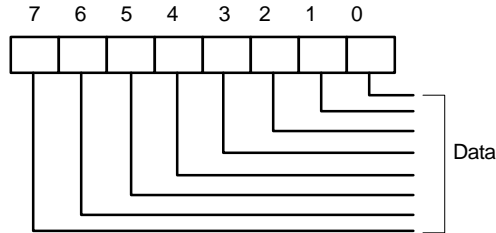
Figure 17. Over-Temperature Response Diagram



7. REGISTERS AND RAM

7.1 Address Register (Port x5h)

Data Port: Port x5h
 Power on Default Value 00h
 Attribute: Bit 6:0 Read/write , Bit 7: Read Only
 Size: 8 bits



Bit7: Read Only

The logical 1 indicates the device is busy because of a Serial Bus transaction or another ISA bus transaction. With checking this bit, multiple ISA drivers can use W83782D without interfering with each other or a Serial Bus driver.

It is the user's responsibility not to have a Serial Bus and ISA bus operations at the same time.

This bit is:

Set: with a write to Port x5h or when a Serial Bus transaction is in progress.

Reset: with a write or read from Port x6h if it is set by a write to Port x5h, or when the Serial Bus transaction is finished.

Bit 6-0: Read/Write

| Bit 7 | Bit 6 | Bit 5 | Bit 4 | Bit 3 | Bit 2 | Bit 1 | Bit 0 |
|------------------------------|--|-------|-------|-------|-------|-------|-------|
| Busy (Power On default 0) | Address Pointer (Power On default 00h) | | | | | | |
| | A6 | A5 | A4 | A3 | A2 | A1 | A0 |

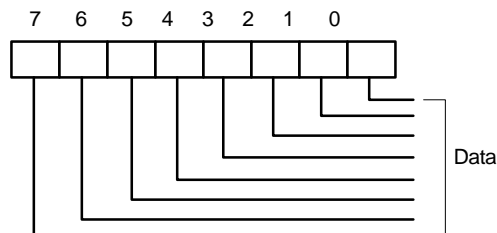


Address Pointer Index (A6-A0)

| Registers and RAM | A6-A0 in Hex | Power On Value of Registers: <k7:0>in Binary | Notes |
|--------------------------------|--------------|---|--|
| Configuration Register | 40h | 00001000 | |
| Interrupt Status Register 1 | 41h | 00000000 | Auto-increment to the address of Interrupt Status Register 2 after a read or write to Port x6h. |
| Interrupt Status Register 2 | 42h | 00000000 | |
| SMI# \bar{Y} Mask Register 1 | 43h | 00000000 | Auto-increment to the address of SMI# \bar{Y} Mask Register 2 after a read or write to Port x6h. |
| SMI# \bar{Y} Mask Register 2 | 44h | 00000000 | |
| NMI Mask Register 1 | 45h | 00000000 | Auto-increment to the address of NMI Mask Register 2 after a read or write to Port x6h |
| NMI Mask Register 2 | 46h | 01000000 | |
| VID/Fan Divisor Register | 47h | <7:4> = 0101; <3:0> = VID3-ID0 | |
| Serial Bus Address Register | 48h | <6:0> = 0101101; <7> = 0 | |
| POST RAM | 00-1Fh | | Auto-increment to the next location after a read or write to Port x6h and stop at 1Fh. |
| Value RAM | 20-3Fh | | |
| Value RAM | 60-7Fh | | Auto-increment to the next location after a read or write to Port x6h and stop at 7Fh. |

7.2 Data Register (Port x6h)

Data Port: Port x6h
 Power on Default Value 00h
 Attribute: Read/write
 Size: 8 bits

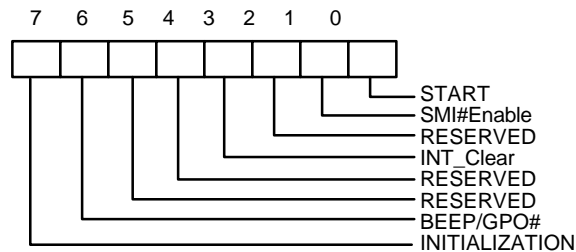


Bit 7-0: Data to be read from or to be written to RAM and Register.



7.3 Configuration Register $\frac{3}{4}$ Index 40h

Register Location: 40h
 Power on Default Value 00000001 binary
 Attribute: Read/write
 Size: 8 bits



Bit 7: A one restores power on default value to all registers except the Serial Bus Address register. This bit clears itself since the power on default is zero.

Bit 6: The logical 1 in this bit drives a zero on BEEP/GPO# pin.

Bit 5: Reserved

Bit 4: Reserved

Bit 3: A one disables the SMI# output without affecting the contents of Interrupt Status Registers. The device will stop monitoring. It will resume upon clearing of this bit.

Bit 2: Reserved

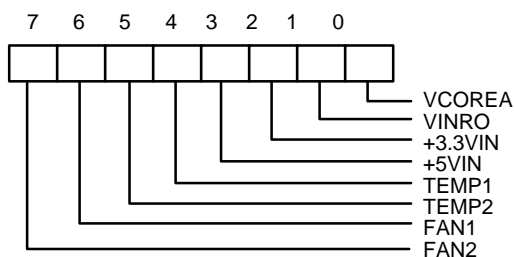
Bit 1: A one enables the SMI# Interrupt output.

Bit 0: A one enables startup of monitoring operations, a zero puts the part in standby mode.

Note: The outputs of Interrupt pins will not be cleared if the user writes a zero to this location after an interrupt has occurred unlike "INT_Clear" bit.

7.4 Interrupt Status Register $1\frac{3}{4}$ Index 41h

Register Location: 41h
 Power on Default Value 00h
 Attribute: Read Only
 Size: 8 bits



Bit 7: A one indicates the fan count limit of FAN2 has been exceeded.

Bit 6: A one indicates the fan count limit of FAN1 has been exceeded.

Bit 5: A one indicates a High limit of VTIN2 has been exceeded from temperature sensor 2.

Bit 4: A one indicates a High limit of VTIN1 has been exceeded from temperature sensor 1.

Bit 3: A one indicates a High or Low limit of +5VIN has been exceeded.

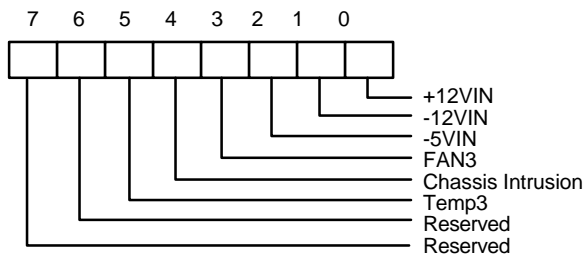
Bit 2: A one indicates a High or Low limit of +3.3VIN has been exceeded.

Bit 1: A one indicates a High or Low limit of VINR0 has been exceeded.

Bit 0: A one indicates a High or Low limit of VCOREA has been exceeded.

7.5 Interrupt Status Register 2 ³/₄ Index 42h

Register Location: 42h
 Power on Default Value 00h
 Attribute: Read Only
 Size: 8 bits



Bit 7-6:Reserved.This bit should be set to 0.

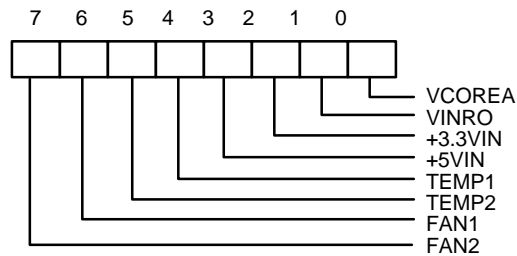
Bit 5: A one indicates a High limit of VTIN3 has been exceeded from temperature sensor 3.



- Bit 4: A one indicates Chassis Intrusion has gone high.
- Bit 3: A one indicates the fan count limit of FAN3 has been exceeded.
- Bit 2: A one indicates a High or Low limit of -5VIN has been exceeded.
- Bit1: A one indicates a High or Low limit of -12VIN has been exceeded.
- Bit0: A one indicates a High or Low limit of +12VIN has been exceeded.

7.6 SMI# Mask Register 1 ³/₄ Index 43h

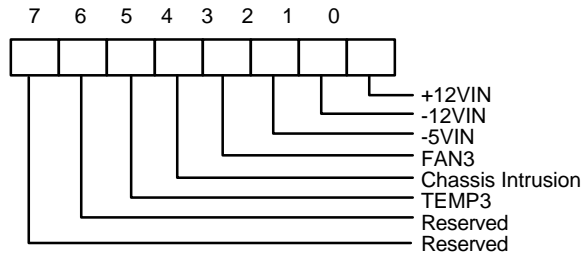
Register Location: 43h
Power on Default Value 00h
Attribute: Read/Write
Size: 8 bits



Bit 7-0: A one disables the corresponding interrupt status bit for SMI interrupt.

7.7 SMI# Mask Register 2 ³/₄ Index 44h

Register Location: 44h
Power on Default Value 00h
Attribute: Read/Write
Size: 8 bits



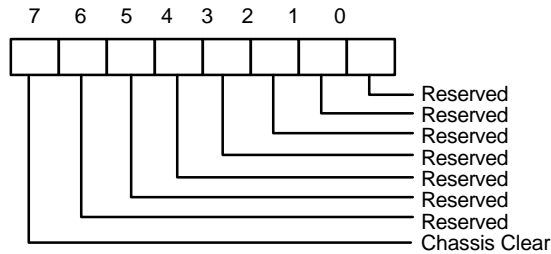
Bit 7-6: Reserved. This bit should be set to 0.

Bit 5-0: A one disables the corresponding interrupt status bit for $\overline{\text{SMI}}$ interrupt.

7.8 Reserved Register $\frac{3}{4}$ Index 45h

7.9 Chassis Clear Register -- Index 46h

Register Location: 46h
 Power on Default Value <7:0> = 00000000 binary
 Attribute: Read/Write
 Size: 8 bits

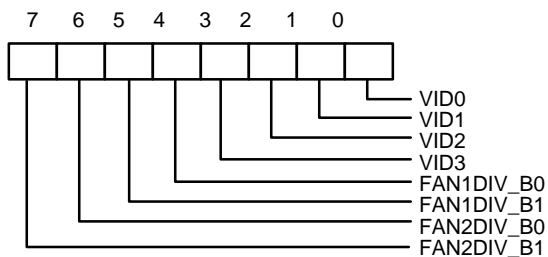


Bit 7: Set 1 , clear Chassis Intrusion event. This bit self clears after clearing Chassis Intrusion event.

Bit 6-0:Reserved. This bit should be set to 0.

7.10 VID/Fan Divisor Register $\frac{3}{4}$ Index 47h

Register Location: 47h
 Power on Default Value <7:4> is 0101, <3:0> is mapped to VID<3:0>
 Attribute: Read/Write
 Size: 8 bits



Bit 7-6: FAN2 Speed Control.

Bit 5-4: FAN1 Speed Control.

Bit 3-0: The VID <3:0> inputs

Note : Please refer to Bank0 CR[5Dh] , Fan divisor table.

7.11 Serial Bus Address Register $\frac{3}{4}$ Index 48h

Register Location:

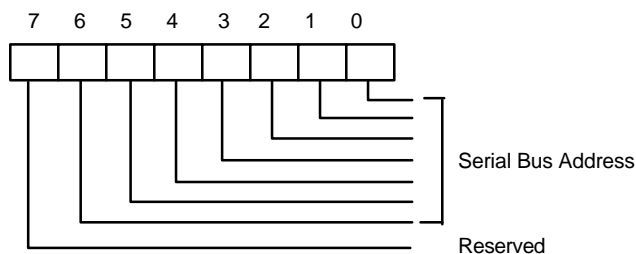
48h

Power on Default Value Serial Bus address

<6:0> = 0101101 and <7> = 0 binary

Size:

8 bits



Bit 7: Read Only - Reserved.

Bit 6-0: Read/Write - Serial Bus address <6:0>.



7.12 Value RAM $\frac{3}{4}$ Index 20h- 3Fh or 60h - 7Fh (auto-increment)

| Address A6-A0 | Address A6-A0 with Auto-Increment | Description |
|---------------|-----------------------------------|--|
| 20h | 60h | VCOREA reading |
| 21h | 61h | VINR0 reading |
| 22h | 62h | +3.3VIN reading |
| 23h | 63h | +5VIN reading |
| 24h | 64h | +12VIN reading |
| 25h | 65h | -12VIN reading |
| 26h | 66h | -5VIN reading |
| 27h | 67h | Temperature reading |
| 28h | 68h | FAN1 reading Note: This location stores the number of counts of the internal clock per revolution. |
| 29h | 69h | FAN2 reading Note: This location stores the number of counts of the internal clock per revolution. |
| 2Ah | 6Ah | FAN3 reading Note: This location stores the number of counts of the internal clock per revolution. |
| 2Bh | 6Bh | VCOREA High Limit, default value is defined by Vcore Voltage +0.2v. |
| 2Ch | 6Ch | VCOREA Low Limit, default value is defined by Vcore Voltage -0.2v. |
| 2Dh | 6Dh | VINR0 High Limit. |
| 2Eh | 6Eh | VINR0 Low Limit. |
| 2Fh | 6Fh | +3.3VIN High Limit |
| 30h | 70h | +3.3VIN Low Limit |
| 31h | 71h | +5VIN High Limit |
| 32h | 72h | +5VIN Low Limit |



7.12 Value RAM — Index 20h- 3Fh or 60h - 7Fh (auto-increment), continued

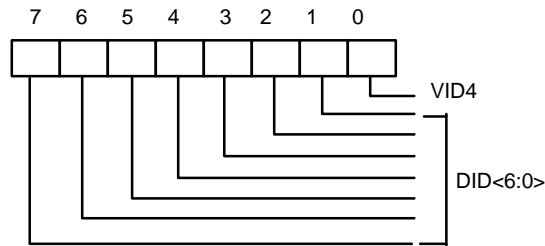
| Address A6-A0 | Address A6-A0 with Auto-Increment | Description |
|---------------|-----------------------------------|---|
| 33h | 73h | +12VIN High Limit |
| 34h | 74h | +12VIN Low Limit |
| 35h | 75h | -12VIN High Limit |
| 36h | 76h | -12VIN Low Limit |
| 37h | 77h | -5VIN High Limit |
| 38h | 78h | -5VIN Low Limit |
| 39h | 79h | Temperature sensor 1 (VTIN1) High Limit |
| 3Ah | 7Ah | Temperature sensor 1 (VTIN1) Hysteresis Limit |
| 3Bh | 7Bh | FAN1 Fan Count Limit Note: It is the number of counts of the internal clock for the Low Limit of the fan speed. |
| 3Ch | 7Ch | FAN2 Fan Count Limit Note: It is the number of counts of the internal clock for the Low Limit of the fan speed. |
| 3Dh | 7Dh | FAN3 Fan Count Limit Note: It is the number of counts of the internal clock for the Low Limit of the fan speed. |
| 3E- 3Fh | 7E- 7Fh | Reserved |

Setting all ones to the high limits for voltages and fans (0111 1111 binary for temperature) means interrupts will never be generated except the case when voltages go below the low limits.



7.13 Voltage ID (VID4) & Device ID -- Index 49h

Register Location: 49h
 Power on Default Value <7:1> is 000,0001b
 <0> is mapped to VID <4>
 Size: 8 bits

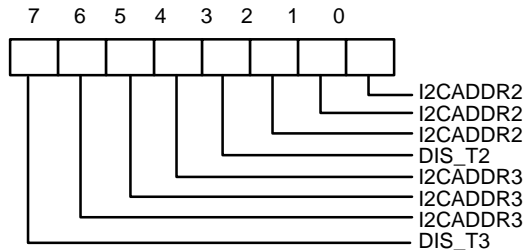


Bit 7-1: Read Only - Device ID<6:0>

Bit 0 : Read/Write - The VID4 inputs.

7.14 Temperature 2 and Temperature 3 Serial Bus Address Register--Index 4Ah

Register Location: 4Ah
 Power on Default Value <7:0> = 0000,0001 binary. Reset by MR
 Attribute: Read/Write
 Size: 8 bits



Bit 7: Set to 1, disable temperature sensor 3 and can not access any data from Temperature Sensor 3.

Bit 6-4: Temperature 3 Serial Bus Address. The serial bus address is 1001xxx. Where xxx are defined in these bits.

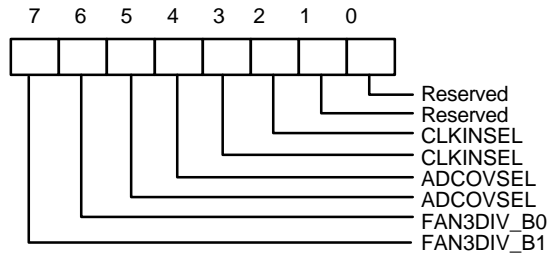


Bit 3: Set to 1, disable temperature Sensor 2 and can not access any data from Temperature Sensor 2.

Bit 2-0: Temperature 2 Serial Bus Address. The serial bus address is 1001xxx. Where xxx are defined in these bits.

7.15 Pin Control Register -- Index4Bh

Register Location: 4Bh
 Power on Default Value <7:0> 44h. Reset by MR.
 Attribute: Read/Write
 Size: 8 bits



Bit 7-6: Fan3 speed divisor.

Please refer to Bank0 CR[5Dh] , Fan divisor table.

Bit 5-4: Select A/D Converter Clock Input.

<5:4> = 00 - default. ADC clock select 22.5 KHz.

<5:4> = 01 - ADC clock select 5.6 KHz. (22.5K/4)

<5:4> = 10 - ADC clock select 1.4KHz. (22.5K/16)

<5:4> = 11 - ADC clock select 0.35 KHz. (22.5K/64)

Bit 3-2: Clock Input Select.

<3:2> = 00 - Pin 3 (CLKIN) select 14.318M Hz clock.

<3:2> = 01 - Default. Pin 3 (CLKIN) select 24M Hz clock.

<3:2> = 10 - Pin 3 (CLKIN) select 48M Hz clock .

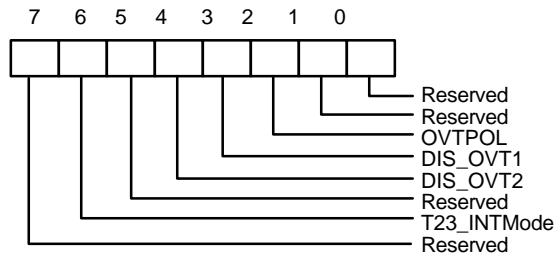
<3:2> = 11 - Reserved. Pin3 no clock input.

Bit 1-0: Reserved. User defined.



7.16 IRQ#/OVT# Property Select -- Index 4Ch

Register Location: 4Ch
Power on Default Value <7:0> --0000,0001. Reset by MR.
Attribute: Read/Write
Size: 8 bits



Bit 7: Reserved. User Defined.

Bit6: Set to 1, the SMI# output type of Temperature 2 and 3 is set to Comparator Interrupt mode. Set to 0, the SMI# output type is set to Two-Times Interrupt mode. (default 0)

Bit5: Reserved. User Defined.

Bit 4: Disable temperature sensor 3 over-temperature (OVT) output if set to 1. Default 0, enable OVT2 output through pin OVT#.

Bit 3: Disable temperature sensor 2 over-temperature (OVT) output if set to 1. Default 0, enable OVT1 output through pin OVT#.

Bit 2: Over-temperature polarity. Write 1, OVT# active high. Write 0, OVT# active low. Default 0.

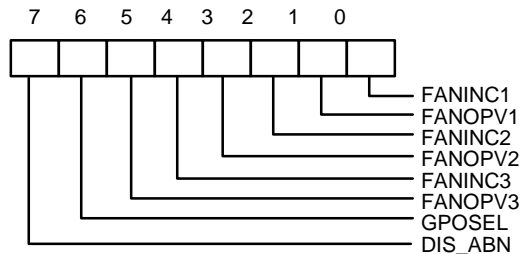
Bit 1: Reserved. User Defined.

Bit 0: Reserved. User Defined.



7.17 FAN IN/OUT and BEEP/GPO# Control Register -- Index 4Dh

Register Location: 4Dh
 Power on Default Value <7:0> 0001,0101. Reset by MR.
 Attribute: Read/Write
 Size: 8 bits



Bit 7: Disable power-on abnormal the monitor voltage including V-Core A and +3.3V. If these voltage exceed the limit value, the pin (Open Drain) of BEEP will drives 300Hz and 600Hz frequency signal. Write 1, the frequency will be disable. Default 0. After power on, the system should set 1 to this bit to 1 in order to disable BEEP.

Bit 6: BEEP/GPO# Pin Function Select. Write 1 Select GPO# function. Set 0, select BEEP function. This bit default 0.

Bit 5: FAN 3 output value if FANINC3 sets to 0. Write 1, then pin 18 always generate logic high signal. Write 0, pin 18 always generates logic low signal. This bit default 0.

Bit 4: FAN 3 Input Control. Set to 1, pin 18 acts as FAN clock input, which is default value. Set to 0, this pin 18 acts as FAN control signal and the output value of FAN control is set by this register bit 5. This output pin can connect to power PMOS gate to control FAN ON/OFF.

Bit 3: FAN 2 output value if FANINC2 sets to 0. Write 1, then pin 19 always generate logic high signal. Write 0, pin 19 always generates logic low signal. This bit default 0.

Bit 2: FAN 2 Input Control. Set to 1, pin 19 acts as FAN clock input, which is default value. Set to 0, this pin 19 acts as FAN control signal and the output value of FAN control is set by this register bit 3. This output pin can connect to power NMOS gate to control FAN ON/OFF.

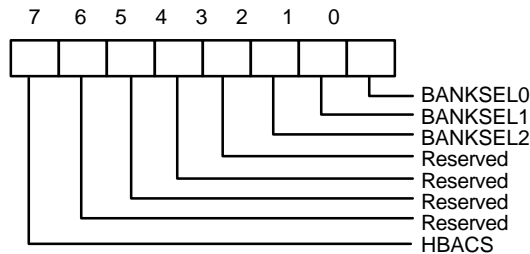
Bit 1: FAN 1 output value if FANINC1 sets to 0. Write 1, then pin 20 always generate logic high signal. Write 0, pin 20 always generates logic low signal. This bit default 0.

Bit 0: FAN 1 Input Control. Set to 1, pin 20 acts as FAN clock input, which is default value. Set to 0, this pin 20 acts as FAN control signal and the output value of FAN control is set by this register bit 1. This output pin can connect to power PMOS gate to control FAN ON/OFF.



7.18 Register 50h ~ 5Fh Bank Select -- Index 4Eh

Register Location: 4Eh
 Power on Default Value <6:3> = Reserved, <7> = 1, <2:0> = 0. Reset by MR
 Attribute: Read/Write
 Size: 8 bits



Bit 7: HBACS- High byte access. Set to 1, access Register 4Fh high byte register.

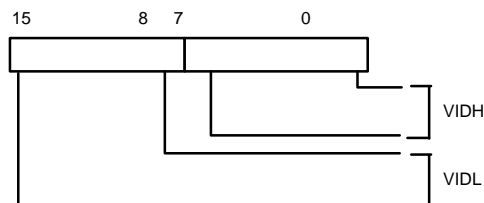
Set to 0, access Register 4Fh low byte register. Default 1.

Bit 6-3: Reserved. This bit should be set to 0.

Bit 2-0: Index ports 0x50~0x5F Bank select.

7.19 Winbond Vendor ID -- Index 4Fh

Register Location: 4Fh
 Power on Default Value <15:0> = 5CA3h
 Attribute: Read Only
 Size: 16 bits



Bit 15-8: Vendor ID High Byte if CR4E.bit7=1.Default 5Ch.

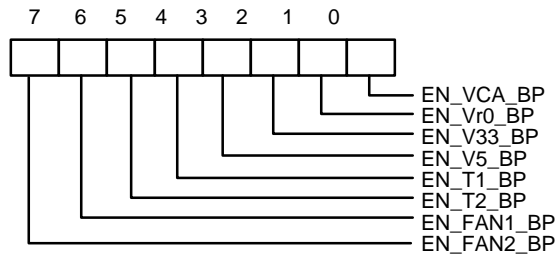
Bit 7-0: Vendor ID Low Byte if CR4E.bit7=0. Default A3h.



7.20 Winbond Test Register -- Index 50h - 55h (Bank 0)

7.21 BEEP Control Register 1-- Index 56h (Bank 0)

Register Location: 56h
Power on Default Value <7:0> 0000,0000. Reset by MR.
Attribute: Read/Write
Size: 8 bits



Bit 7: Enable BEEP Output from FAN 2 if the monitor value exceed the limit value. Write 1, enable BEEP output, which is default value.

Bit 6: Enable BEEP Output from FAN 1 if the monitor value exceed the limit value. Write 1, enable BEEP output, which is default value.

Bit 5: Enable BEEP Output from Temperature Sensor 2 if the monitor value exceed the limit value. Write 1, enable BEEP output. Default 0

Bit 4: Enable BEEP output for Temperature Sensor 1 if the monitor value exceed the limit value. Write 1, enable BEEP output. Default 0

Bit 3: Enable BEEP output from VDD (+5V), Write 1, enable BEEP output if the monitor value exceed the limits value. Default 0, that is disable BEEP output.

Bit 2: Enable BEEP output from +3.3V. Write 1, enable BEEP output, which is default value.

Bit 1: Enable BEEP output from VINR0. Write 1, enable BEEP output, which is default value.

Bit 0: Enable BEEP Output from VCOREA if the monitor value exceed the limits value. Write 1, enable BEEP output, which is default value



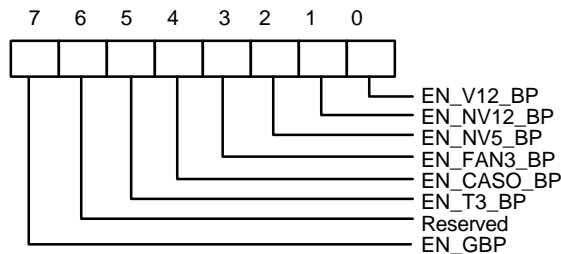
7.22 BEEP Control Register 2-- Index 57h (Bank 0)

Register Location: 57h

Power on Default Value <7:0> 1000-0000. Reset by MR.

Attribute: Read/Write

Size: 8 bits



Bit 7: Enable Global BEEP. Write 1, enable global BEEP output. Default 1. Write 0, disable all BEEP output.

Bit 6: Reserved. This bit should be set to 0.

Bit 5: Enable BEEP Output from Temperature Sensor 3 if the monitor value exceed the limit value. Write 1, enable BEEP output. Default 0

Bit 4: Enable BEEP output for case open if the monitor value exceed the limit value. Write 1, enable BEEP output. Default 0.

Bit 3: Enable BEEP Output from FAN 3 if the monitor value exceed the limit value. Write 1, enable BEEP output. Default 0.

Bit 2: Enable BEEP output from -5V, Write 1, enable BEEP output if the monitor value exceed the limits value. Default 0, that is disable BEEP output.

Bit 1: Enable BEEP output from -12V, Write 1, enable BEEP output if the monitor value exceed the limits value. Default 0, that is disable BEEP output.

Bit 0: Enable BEEP output from +12V, Write 1, enable BEEP output if the monitor value exceed the limits value. Default 0, that is disable BEEP output.

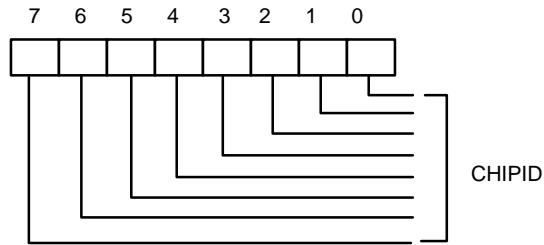
7.23 Chip ID -- Index 58h (Bank 0)

Register Location: 58h

Power on Default Value <7:0> 0011-0000. Reset by MR.

Attribute: Read Only

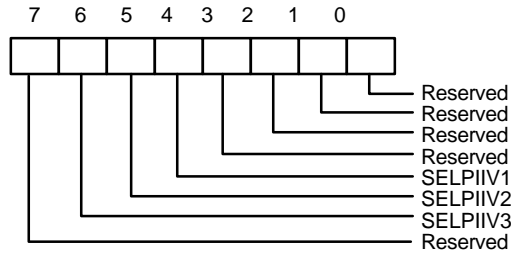
Size: 8 bits



Bit 7: Winbond Chip ID number. Read this register will return 30h.

7.24 Diode Selection Register -- Index 59h (Bank 0)

Register Location: 59h
 Power on Default Value <7>=0 and <6:4> = 111 and <3:0> = 0000
 Attribute: Read/Write
 Size: 8 bits



Bit 7: Reserved

Bit 6: Temperature sensor diode 3. Set to 1, select Pentium II compatible Diode. Set to 0 to select 2N3904 Bipolar mode.

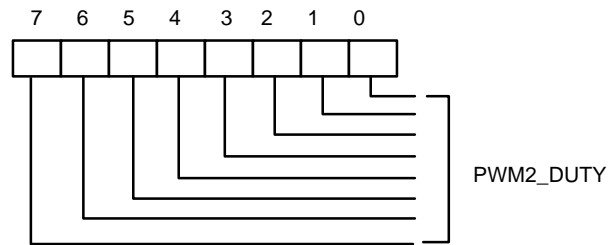
Bit 5: Temperature sensor diode 2. Set to 1, select Pentium II compatible Diode. Set to 0 to select 2N3904 Bipolar mode.

Bit 4: Temperature sensor diode 1. Set to 1, select Pentium II compatible Diode. Set to 0 to select 2N3904 Bipolar mode.

Bit 3-0: Reserved

7.25 PWMOUT2 Control -- Index 5Ah (*Bank 0*)

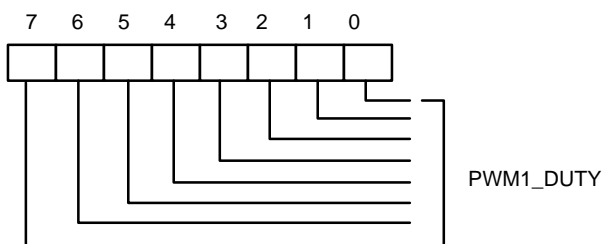
Register Location: 5Ah
Power on default value: <7:0> 1111-1111. Reset by MR.
Attribute: Read/Write
Size: 8 bits



Bit 7: PWMOUT2 duty cycle control
Write FF, Duty cycle is 100%, Write 00, Duty cycle is 0%.

7.26 PWMOUT1 Control -- Index 5Bh (*Bank 0*)

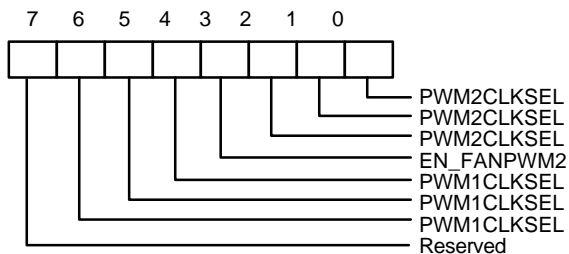
Register Location: 5Bh
 Power on default value: <7:0> 1111-1111. Reset by MR.
 Attribute: Read/Write
 Size: 8 bits



Bit 7: PWMOUT1 duty cycle control
 Write FF, Duty cycle is 100%,
 Write 00, Duty cycle is 0%.

7.27 PWMOUT1/2 Clock Select -- Index 5Ch (*Bank 0*)

Register Location: 5Ch
 Power on Default Value <7:0> 0001-0001. Reset by MR.
 Attribute: Read/Write
 Size: 8 bits



Bit 7: Reserved

Bit 6-4: PWMOUT1 clock selection.

The clock defined frequency is same as PWMOUT2 clock selection.



Bit 3: Set to 1. Enable PWMOUT2 PWM Control

Bit 2-0: PWMOUT2 clock Selection.

<2:0> = 000: 46.87K Hz

<2:0> = 001: 23.43K Hz (Default)

<2:0> = 010: 11.72K Hz

<2:0> = 011: 5.85K Hz

<2:0> = 100: 2.93K Hz

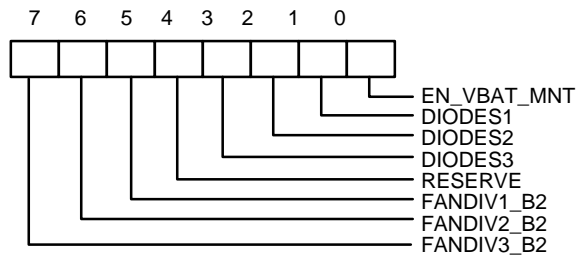
7.28 VBAT Monitor Control Register -- Index 5Dh (*Bank 0*)

Register Location: 5Dh

Power on Default Value <7:0> 0000-0000. Reset by MR.

Attribute: Read/Write

Size: 8 bits



Bit 7: Fan3 divisor Bit 2.

Bit 6: Fan2 divisor Bit 2.

Bit 5: Fan1 divisor Bit 2.

Bit 4: Reserve.

Bit 3: Temperature sensor 3 select into thermal diode such as Pentium II CPU supported. Set to 1, select bipolar sensor. Set to 0, select thermistor sensor.

Bit 2: Sensor 2 type selection. Defined as DIODES3 described in the bit 3.

Bit 1: Sensor 1 type selection. Defined as DIODES2 described in the bit 3.

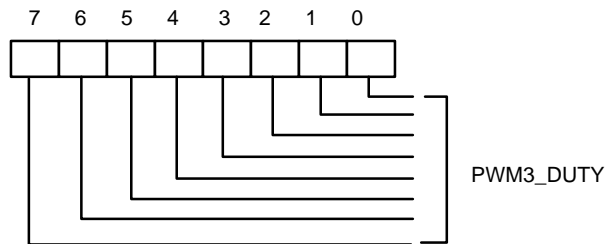
Bit 0: Set to 1, enable battery voltage monitor. Set to 0, disable battery voltage monitor. If enable this bit, the monitor value is value after one monitor cycle. Note that the monitor cycle time is at least 300ms for W83782D.

Fan divisor table :

| Bit 2 | Bit 1 | Bit 0 | Fan Divisor | Bit 2 | Bit 1 | Bit 0 | Fan Divisor |
|-------|-------|-------|-------------|-------|-------|-------|-------------|
| 0 | 0 | 0 | 1 | 1 | 0 | 0 | 16 |
| 0 | 0 | 1 | 2 | 1 | 0 | 1 | 32 |
| 0 | 1 | 0 | 4 | 1 | 1 | 0 | 64 |
| 0 | 1 | 1 | 8 | 1 | 1 | 1 | 128 |

7.29 PWMOUT3 Control -- Index 5Eh (*Bank 0*)

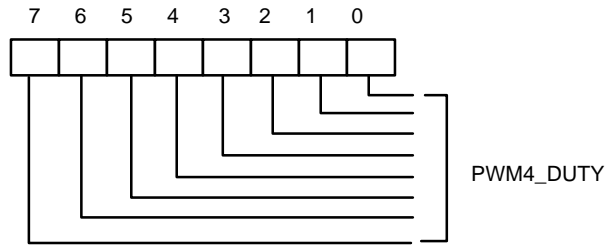
Register Location: 5Eh
 Power on Default Value <7:0> 1111-1111. Reset by MR.
 Attribute: Read/Write
 Size: 8 bits



Bit 7: PWMOUT3 duty cycle control
 Write FF, Duty cycle is 100%,
 Write 00, Duty cycle is 0%.

7.30 PWMOUT4 Control -- Index 5Fh (*Bank 0*)

Register Location: 5Fh
 Power on Default Value <7:0> 1111-1111. Reset by MR.
 Attribute: Read Only
 Size: 8 bits



Bit 7: PWMOUT4 duty cycle control

Write FF, Duty cycle is 100%,

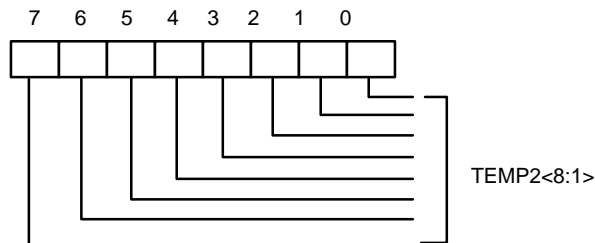
Write 00, Duty cycle is 0%.

7.31 Temperature Sensor 2 Temperature (High Byte) Register - Index 50h (*Bank 1*)

Register Location: 50h

Attribute: Read Only

Size: 8 bits



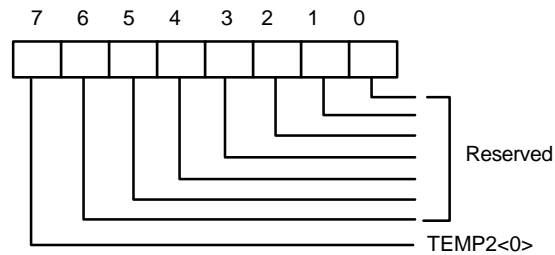
Bit 7: Temperature <8:1> of sensor 2, which is high byte.

7.32 Temperature Sensor 2 Temperature (Low Byte) Register - Index 51h (*Bank 1*)

Register Location: 51h

Attribute: Read Only

Size: 8 bits

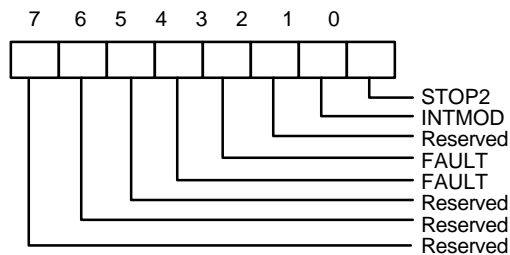


Bit 7: Temperature <0> of sensor2, which is low byte.

Bit 6-0: Reserved. This bit should be set to 0.

7.33 Temperature Sensor 2 Configuration Register - index 52h (Bank 1)

Register Location: 52h
 Power on Default Value <7:0> = 0x00
 Size: 8 bits



Bit 7-5: Read - Reserved. This bit should be set to 0.

Bit 4-3: Read/Write - Number of faults to detect before setting OVT# output to avoid false tripping due to noise.

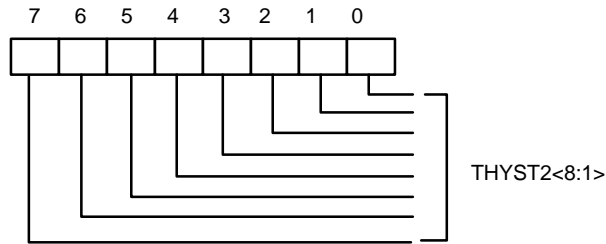
Bit 2: Read - Reserved. This bit should be set to 0.

Bit 1: Read/Write - OVT# Interrupt mode select. This bit default is set to 0, which is compared mode. When set to 1, interrupt mode will be selected.

Bit 0: Read/Write - When set to 1 the sensor will stop monitor.

7.34 Temperature Sensor 2 Hysteresis (High Byte) Register - Index 53h (Bank 1)

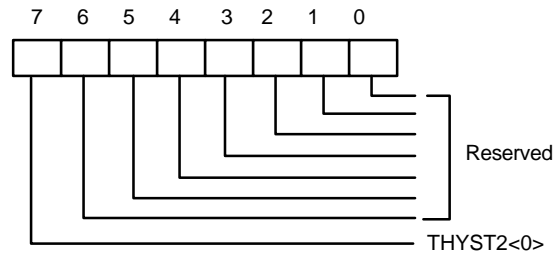
Register Location: 53h
 Power on Default Value <7:0> = 0x4B
 Attribute: Read/Write
 Size: 8 bits



Bit 7-0: Temperature hysteresis bit 8-1, which is High Byte. The temperature default 75 degree C.

7.35 Temperature Sensor 2 Hysteresis (Low Byte) Register - Index 54h (Bank 1)

Register Location: 54h
 Power on Default Value <7:0> = 0x0
 Attribute: Read Only
 Size: 8 bits

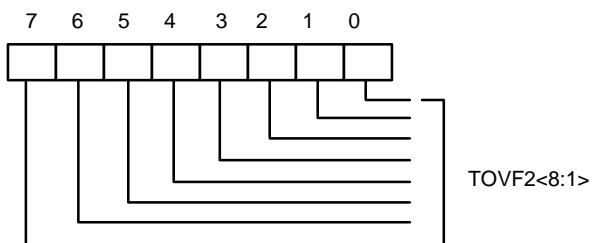


Bit 7: Temperature hysteresis bit 0, which is low Byte.

Bit 6-0: Reserved. This bit should be set to 0.

7.36 Temperature Sensor 2 Over-temperature (High Byte) Register - Index 55h (Bank 1)

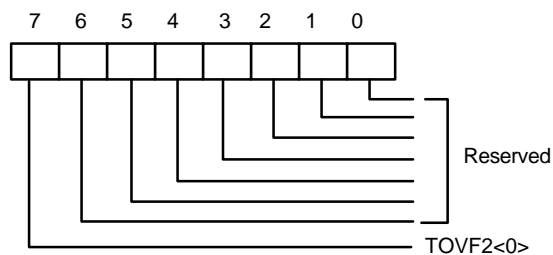
Register Location: 55h
 Power on Default Value <7:0> = 0x50
 Attribute: Read/Write
 Size: 8 bits



Bit 7-0: Over-temperature bit 8-1, which is High Byte. The temperature default 80 degree C.

7.37 Temperature Sensor 2 Over-temperature (Low Byte) Register - Index 56h(Bank 1)

Register Location: 56h
 Power on Default Value <7:0> = 0x0
 Size: 8 bits



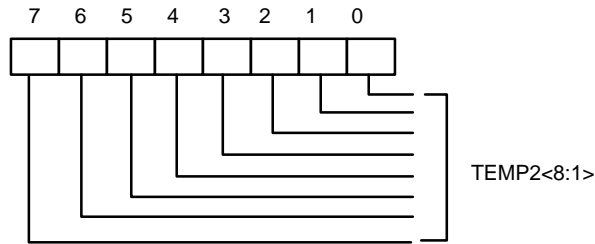
Bit 7: Read/Write - Over-temperature bit 0, which is low Byte.

Bit 6-0: Read Only - Reserved. This bit should be set to 0.



7.38 Temperature Sensor 3 Temperature (High Byte) Register - Index 50h (Bank 2)

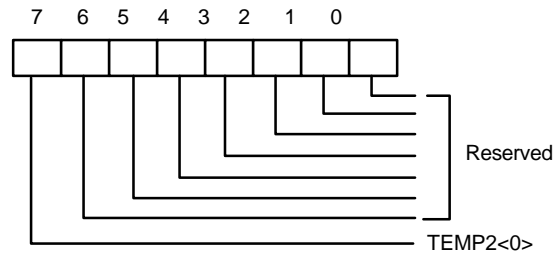
Register Location: 50h
 Attribute: Read Only
 Size: 8 bits



Bit 7-0: Temperature <8:1> of sensor 2, which is high byte.

7.39 Temperature Sensor 3 Temperature (Low Byte) Register - Index 51h (Bank 2)

Register Location: 51h
 Attribute: Read Only
 Size: 8 bits

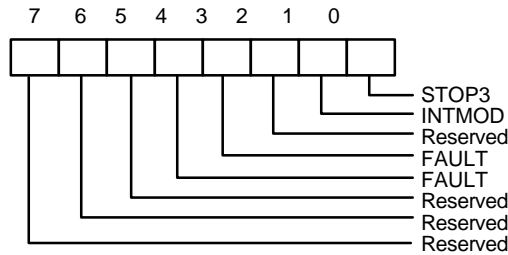


Bit 7: Temperature <0> of sensor2, which is low byte.

Bit 6-0: Reserved. This bit should be set to 0.

7.40 Temperature Sensor 3 Configuration Register - Index 52h (Bank 2)

Register Location: 52h
 Power on Default Value <7:0> = 0x00
 Size: 8 bits



Bit 7-5: Read - Reserved. This bit should be set to 0.

Bit 4-3: Read/Write - Number of faults to detect before setting OVT# output to avoid false tripping due to noise.

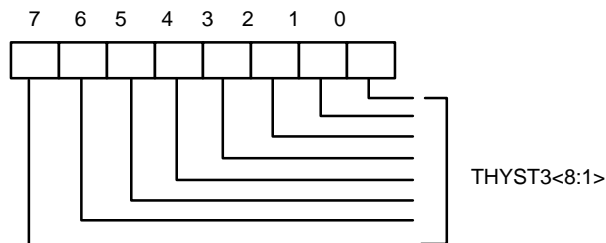
Bit 2: Read - Reserved. This bit should be set to 0.

Bit 1: Read/Write - OVT# Interrupt Mode select. This bit default is set to 0, which is Compared Mode. When set to 1, Interrupt Mode will be selected.

Bit 0: Read/Write - When set to 1 the sensor will stop monitor.

7.41 Temperature Sensor 3 Hysteresis (High Byte) Register - Index 53h (Bank 2)

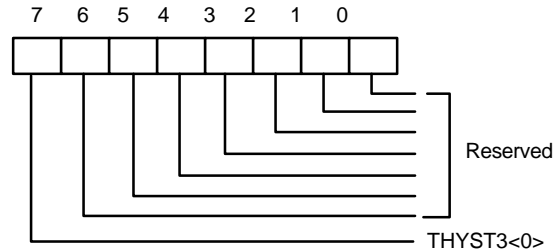
Register Location: 53h
 Power on Default Value <7:0> = 0x4B
 Attribute: Read/Write
 Size: 8 bits



Bit 7-0: Temperature hysteresis bit 8-1, which is High Byte. The temperature default 75 degree C.

7.42 Temperature Sensor 3 Hysteresis (Low Byte) Register - Index 54h (Bank 2)

Register Location: 54h
 Power on Default Value <7:0> = 0x0
 Attribute: Read Only
 Size: 8 bits

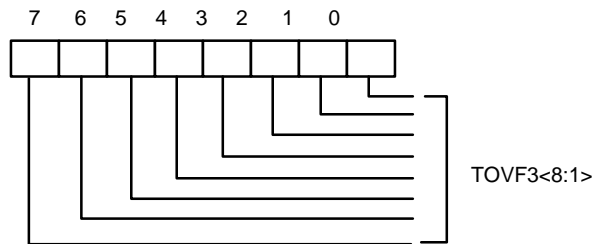


Bit 7: Temperature hysteresis bit 0, which is low Byte.

Bit 6-0: Reserved. This bit should be set to 0.

7.43 Temperature Sensor 3 Over-temperature (High Byte) Register - Index 55h (Bank 2)

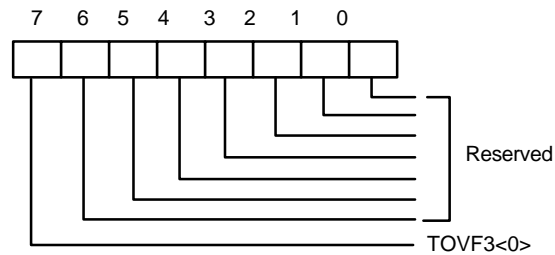
Register Location: 55h
 Power on Default Value <7:0> = 0x50
 Attribute: Read/Write
 Size: 8 bits



Bit 7-0: Over-temperature bit 8-1, which is High Byte. The temperature default 80 degree C.

7.44 Temperature Sensor 3 Over-temperature (Low Byte) Register - Index 56h (Bank 2)

Register Location: 56h
 Power on Default Value <7:0> = 0x0
 Size: 8 bits

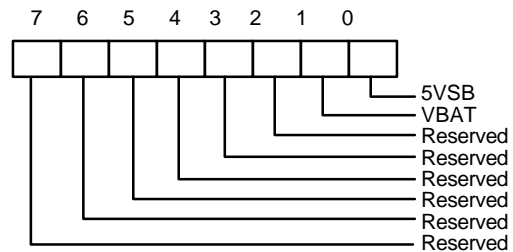


Bit 7: Read/Write - Over-temperature bit 0, which is low Byte.

Bit 6-0: Read Only - Reserved. This bit should be set to 0.

7.45 Interrupt Status Register 3 -- Index 50h (BANK4)

Register Location: 50h
 Power on Default Value <7:0> = 00h
 Attribute: Read Only
 Size: 8 bits



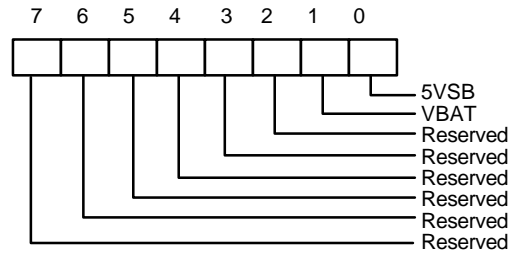
Bit 7-2: Reserved.

Bit 1: A one indicates a High or Low limit of VBAT has been exceeded.

Bit 0: A one indicates a High or Low limit of 5VSB has been exceeded.

7.46 SMI# Mask Register 3 -- Index 51h (BANK 4)

Register Location: 51h
 Power on Default Value <7:0> = 0000,0000h
 Attribute: Read/Write
 Size: 8 bits



Bit 7-2: Reserved.

Bit 1: A one disables the corresponding interrupt status bit for $\overline{\text{SMI}}$ interrupt.

Bit 0: A one disables the corresponding interrupt status bit for $\overline{\text{SMI}}$ interrupt.

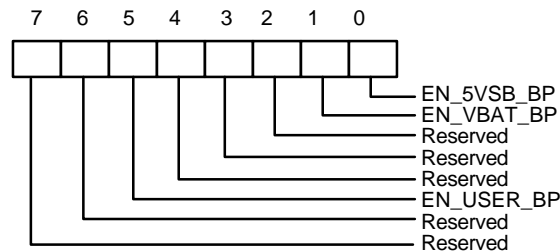
7.47 BEEP Control Register 3-- Index 53h (Bank 4)

Register Location: 53h

Power on Default Value <7:0> 0000,0000. Reset by MR.

Attribute: Read/Write

Size: 8 bits



Bit 7-6: Reserved.

Bit 5: User define BEEP output function. Write 1, the BEEP is always active. Write 0, this function is inactive. (Default 0)

Bit 4-2: Reserved.

Bit 1: Enable BEEP output from VBAT. Write 1, enable BEEP output, which is default value.

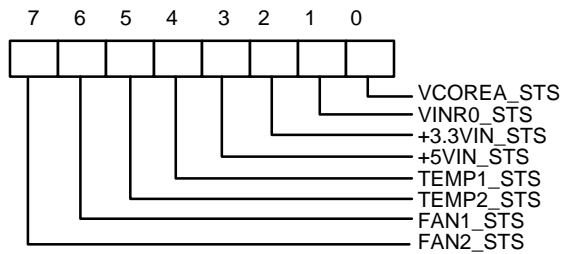
Bit 0: Enable BEEP Output from 5VSB. Write 1, enable BEEP output, which is default value.

7.48 Reserved Register -- Index 54h--58h



7.49 Real Time Hardware Status Register I -- Index 59h (Bank 4)

Register Location: 59h
Power on Default Value <7:0> 0000,0000. Reset by MR.
Attribute: Read Only
Size: 8 bits

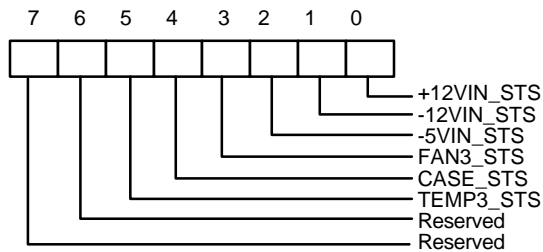


- Bit 7: FAN 2 Status. Set 1, the fan speed counter is over the limit value. Set 0, the fan speed counter is in the limit range.
- Bit 6: FAN 1 Status. Set 1, the fan speed counter is over the limit value. Set 0, the fan speed counter is in the limit range.
- Bit 5: Temperature sensor 2 Status. Set 1, the voltage of temperature sensor is over the limit value. Set 0, the voltage of temperature sensor is in the limit range.
- Bit 4: Temperature sensor 1 Status. Set 1, the voltage of temperature sensor is over the limit value. Set 0, the voltage of temperature sensor is in the limit range.
- Bit 3: +5V Voltage Status. Set 1, the voltage of +5V is over the limit value. Set 0, the voltage of +5V is in the limit range.
- Bit 2: +3.3V Voltage Status. Set 1, the voltage of +3.3V is over the limit value. Set 0, the voltage of +3.3V is in the limit range.
- Bit 1: VINR0 Voltage Status. Set 1, the voltage of VINR0 is over the limit value. Set 0, the voltage of VINR0 is in the limit range.
- Bit 0: VCOREA Voltage Status. Set 1, the voltage of VCORE A is over the limit value. Set 0, the voltage of VCORE A is in the limit range.



7.50 Real Time Hardware Status Register II -- Index 5Ah (*Bank 4*)

Register Location: 5Ah
 Power on Default Value <7:0> 0000,0000. Reset by MR.
 Attribute: Read Only
 Size: 8 bits



Bit 7-6: Reserved

Bit 5: Temperature sensor 3 Status. Set 1, the voltage of temperature sensor is over the limit value. Set 0, the voltage of temperature sensor is in the limit range.

Bit 4: Case Open Status. Set 1, the case open sensor is sensed the high value. Set 0

Bit 3: FAN3 Voltage Status. Set 1, the fan speed counter is over the limit value. Set 0, the fan speed counter is during the limit range.

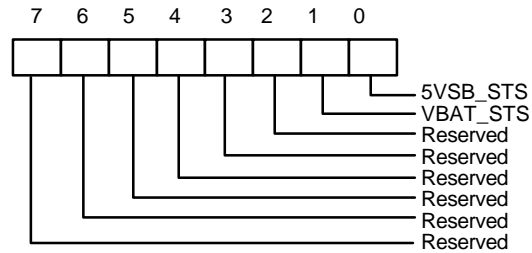
Bit 2: -5V Voltage Status. Set 1, the voltage of -5V is over the limit value. Set 0, the voltage of -5V is during the limit range.

Bit 1: -12V Voltage Status. Set 1, the voltage of -12V is over the limit value. Set 0, the voltage of -12V is during the limit range.

Bit 0: +12V Voltage Status. Set 1, the voltage of +12V is over the limit value. Set 0, the voltage of +12V is in the limit range.

7.51 Real Time Hardware Status Register III -- Index 5Bh (*Bank 4*)

Register Location: 5Bh
 Power on Default Value <7:0> = 0000,0000h
 Attribute: Read Only
 Size: 8 bits



Bit 7-2: Reserved.

Bit 1: VBAT Voltage Status. Set 1, the voltage of VBAT is over the limit value. Set 0, the voltage of VBAT is during the limit range.

Bit 0: 5VSB Voltage Status. Set 1, the voltage of 5VSB is over the limit value. Set 0, the voltage of 5VSB is in the limit range.

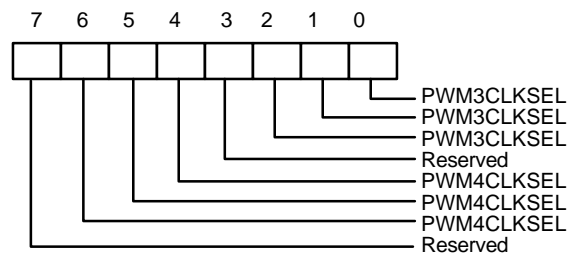
7.52 PWMOUT3/4 Clock Select -- Index 5Ch (Bank 4)

Register Location: 5Ch

Power on Default Value <7:0> 0001,0001. Reset by MR.

Attribute: Read/Write

Size: 8 bits



Bit 7: Reserved.

Bit 6-4: PWMOUT4 clock selection.

The clock defined frequency is same as PWMOUT3 clock selection.

Bit 3: Reserved.

Bit 2-0: PWMOUT3 clock Selection.

<2:0> = 000: 46.87K Hz

<2:0> = 001: 23.43K Hz (Default)

<2:0> = 010: 11.72K Hz

<2:0> = 011: 5.85K Hz

<2:0> = 100: 2.93K Hz



7.53 Value RAM 2^{3/4} Index 50h - 5Ah (auto-increment) (BANK 5)

| Address A6-A0 Auto-Increment | Description |
|---------------------------------|-----------------|
| 50h | 5VSB reading |
| 51h | VBAT reading |
| 52h | Reserved |
| 53h | Reserved |
| 54h | 5VSB High Limit |
| 55h | 5VSB Low Limit. |
| 56h | VBAT High Limit |
| 57h | VBAT Low Limit |

7.54 Winbond Test Register - Index 50h (Bank 6)



8. SPECIFICATIONS

8.1 Absolute Maximum Ratings

| PARAMETER | RATING | UNIT |
|-----------------------|------------------------------|------|
| Power Supply Voltage | -0.5 to 7.0 | V |
| Input Voltage | -0.5 to V _{DD} +0.5 | V |
| Operating Temperature | 0 to +70 | °C |
| Storage Temperature | -55 to +150 | °C |

Note: Exposure to conditions beyond those listed under Absolute Maximum Ratings may adversely affect the life and reliability of the device.

8.2 DC Characteristics

(T_a = 0° C to 70° C, V_{DD} = 5V ± 10%, V_{SS} = 0V)

| PARAMETER | SYM. | MIN. | TYP. | MAX. | UNIT | CONDITIONS |
|---|------------------|------|------|------|------|-----------------------------------|
| I/O_{12t} - TTL level bi-directional pin with source-sink capability of 12 mA | | | | | | |
| Input Low Voltage | V _{IL} | | | 0.8 | V | |
| Input High Voltage | V _{IH} | 2.0 | | | V | |
| Output Low Voltage | V _{OL} | | | 0.4 | V | I _{OL} = 12 mA |
| Output High Voltage | V _{OH} | 2.4 | | | V | I _{OH} = - 12 mA |
| Input High Leakage | I _{LIH} | | | +10 | μA | V _{IN} = V _{DD} |
| Input Low Leakage | I _{LIL} | | | -10 | μA | V _{IN} = 0V |
| I/O_{12ts} - TTL level bi-directional pin with source-sink capability of 12 mA and schmitt-trigger level input | | | | | | |
| Input Low Threshold Voltage | V _{t-} | 0.5 | 0.8 | 1.1 | V | V _{DD} = 5 V |
| Input High Threshold Voltage | V _{t+} | 1.6 | 2.0 | 2.4 | V | V _{DD} = 5 V |
| Hysteresis | V _{TH} | 0.5 | 1.2 | | V | V _{DD} = 5 V |
| Output Low Voltage | V _{OL} | | | 0.4 | V | I _{OL} = 12 mA |
| Output High Voltage | V _{OH} | 2.4 | | | V | I _{OH} = - 12 mA |
| Input High Leakage | I _{LIH} | | | +10 | μA | V _{IN} = V _{DD} |
| Input Low Leakage | I _{LIL} | | | -10 | μA | V _{IN} = 0V |

Preliminary W83782D



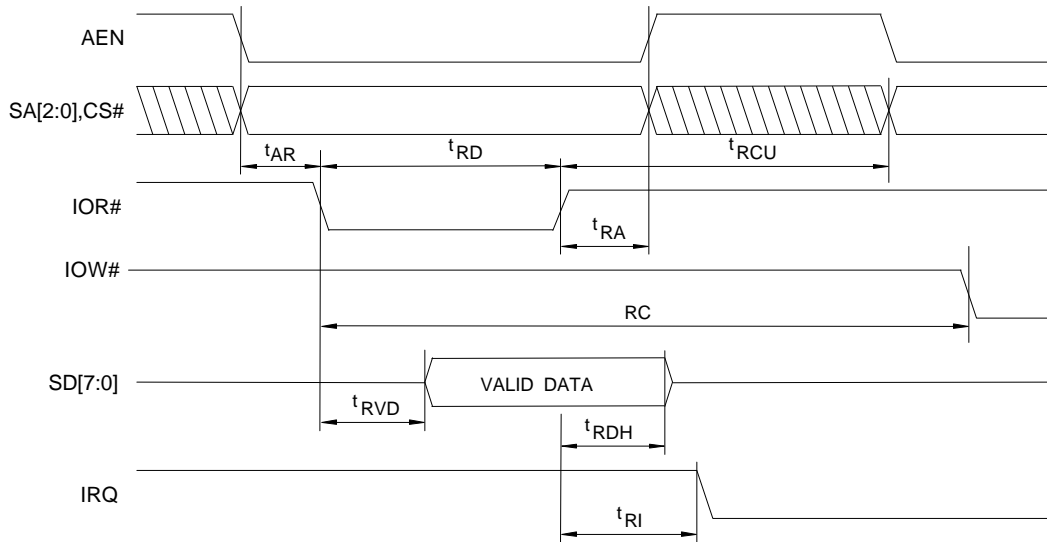
8.2 DC Characteristics, continued

| PARAMETER | SYM. | MIN. | TYP. | MAX. | UNIT | CONDITIONS | |
|--|------------------|------|------|------|------|-----------------------------------|--|
| OUT_{12t} - TTL level output pin with source-sink capability of 12 mA | | | | | | | |
| Output Low Voltage | V _{OL} | | | 0.4 | V | I _{OL} = 12 mA | |
| Output High Voltage | V _{OH} | 2.4 | | | V | I _{OH} = -12 mA | |
| OD₈ - Open-drain output pin with sink capability of 8 mA | | | | | | | |
| Output Low Voltage | V _{OL} | | | 0.4 | V | I _{OL} = 8 mA | |
| OD₁₂ - Open-drain output pin with sink capability of 12 mA | | | | | | | |
| Output Low Voltage | V _{OL} | | | 0.4 | V | I _{OL} = 12 mA | |
| OD₄₈ - Open-drain output pin with sink capability of 48 mA | | | | | | | |
| Output Low Voltage | V _{OL} | | | 0.4 | V | I _{OL} = 48 mA | |
| IN_t - TTL level input pin | | | | | | | |
| Input Low Voltage | V _{IL} | | | 0.8 | V | | |
| Input High Voltage | V _{IH} | 2.0 | | | V | | |
| Input High Leakage | I _{LIH} | | | +10 | μA | V _{IN} = V _{DD} | |
| Input Low Leakage | I _{LIL} | | | -10 | μA | V _{IN} = 0 V | |
| IN_{ts} - TTL level Schmitt-triggered input pin | | | | | | | |
| Input Low Threshold Voltage | V _{t-} | 0.5 | 0.8 | 1.1 | V | V _{DD} = 5 V | |
| Input High Threshold Voltage | V _{t+} | 1.6 | 2.0 | 2.4 | V | V _{DD} = 5 V | |
| Hysteresis | V _{TH} | 0.5 | 1.2 | | V | V _{DD} = 5 V | |
| Input High Leakage | I _{LIH} | | | | μA | V _{IN} = V _{DD} | |
| Input Low Leakage | I _{LIL} | | | | μA | V _{IN} = 0 V | |

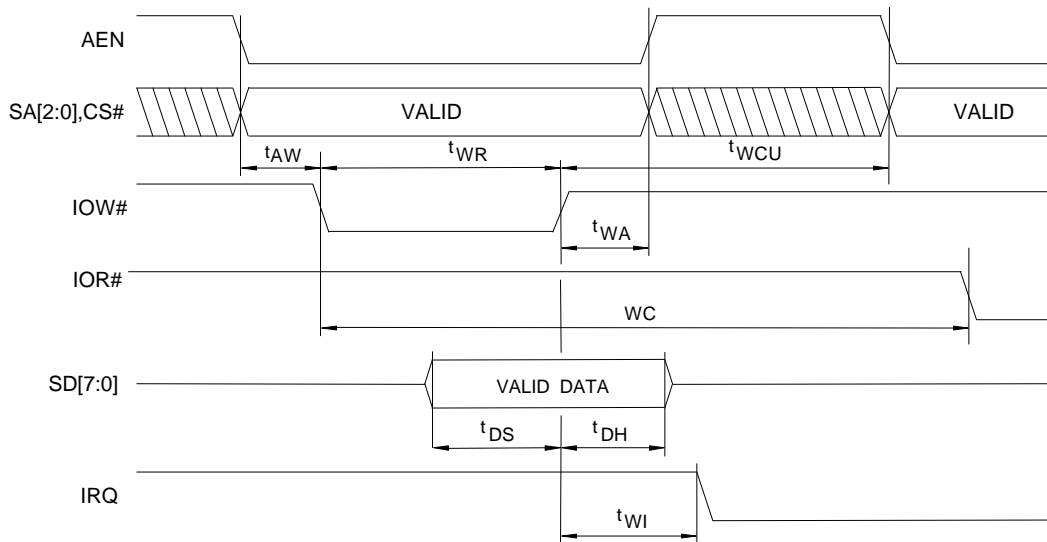


8.3 AC Characteristics

8.3.1 ISA Read/Write Interface Timing



ISA Bus Read Timing

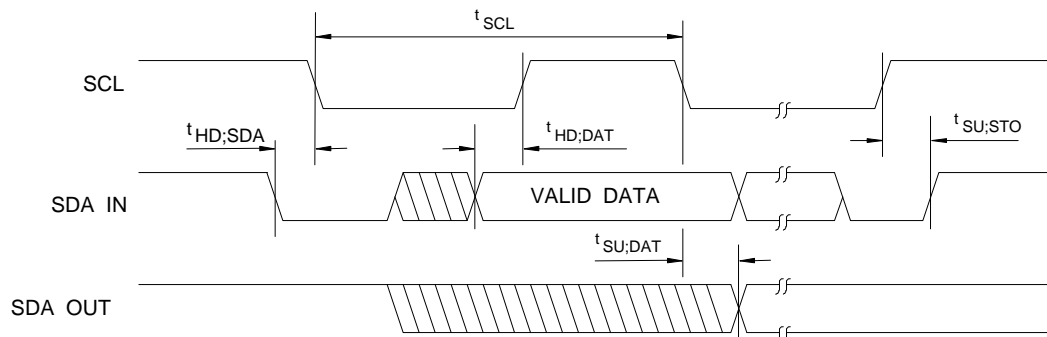


ISA Bus Write Timing

ISA Read/Write Timing

| PARAMETER | SYMBOL | MIN. | MAX. | UNIT |
|---|-----------|------|------|------|
| Valid Address to Read Active | t_{AR} | 10 | | nS |
| Valid Address to Write Active | t_{AW} | 10 | | nS |
| Data Hold | t_{DH} | 5 | | nS |
| Data Setup | t_{DS} | 80 | | nS |
| Address Hold from Inactive Read | t_{RA} | 40 | | nS |
| Read Cycle Update | t_{RCU} | 200 | | nS |
| Read Strobe Width | t_{RD} | 120 | | nS |
| Read Data Hold | t_{RDH} | 40 | | nS |
| Read Strobe to Clear IRQ | t_{RI} | | 60 | nS |
| Active Read to Valid Data | t_{RVD} | | 115 | nS |
| Address Hold from Inactive Write | t_{WA} | 5 | | nS |
| Write Cycle Update | t_{WCU} | 80 | | nS |
| Write Strobe to Clear IRQ | t_{WI} | | 60 | nS |
| Write Strobe Width | t_{WR} | 120 | | nS |
| Read Cycle = $t_{AR} + t_{RD} + t_{RCU}$ | RC | 210 | | nS |
| Write Cycle = $t_{AW} + t_{WR} - t_{WCV}$ | WC | 210 | | nS |

8.3.2 Serial Bus Timing Diagram



Serial Bus Timing Diagram



Serial Bus Timing

| PARAMETER | SYMBOL | MIN. | MAX. | UNIT |
|------------------------------|--------------|------|------|------|
| SCL clock period | t_{SCL} | 10 | | uS |
| Start condition hold time | $t_{HD;SDA}$ | 4.7 | | uS |
| Stop condition setup-up time | $t_{SU;STO}$ | 4.7 | | uS |
| DATA to SCL setup time | $t_{SU;DAT}$ | 120 | | nS |
| DATA to SCL hold time | $t_{HD;DAT}$ | 5 | | nS |
| SCL and SDA rise time | t_R | | 1.0 | uS |
| SCL and SDA fall time | t_F | | 300 | nS |

9. HOW TO READ THE TOP MARKING

The top marking of W83782D



Left: Winbond logo

1st line: Type number W83782D, D means LQFP (Thickness = 1.4 mm).

2nd line: Tracking code 825 A A

825: packages made in '98, week 25

A: assembly house ID; A means ASE, O means OSE

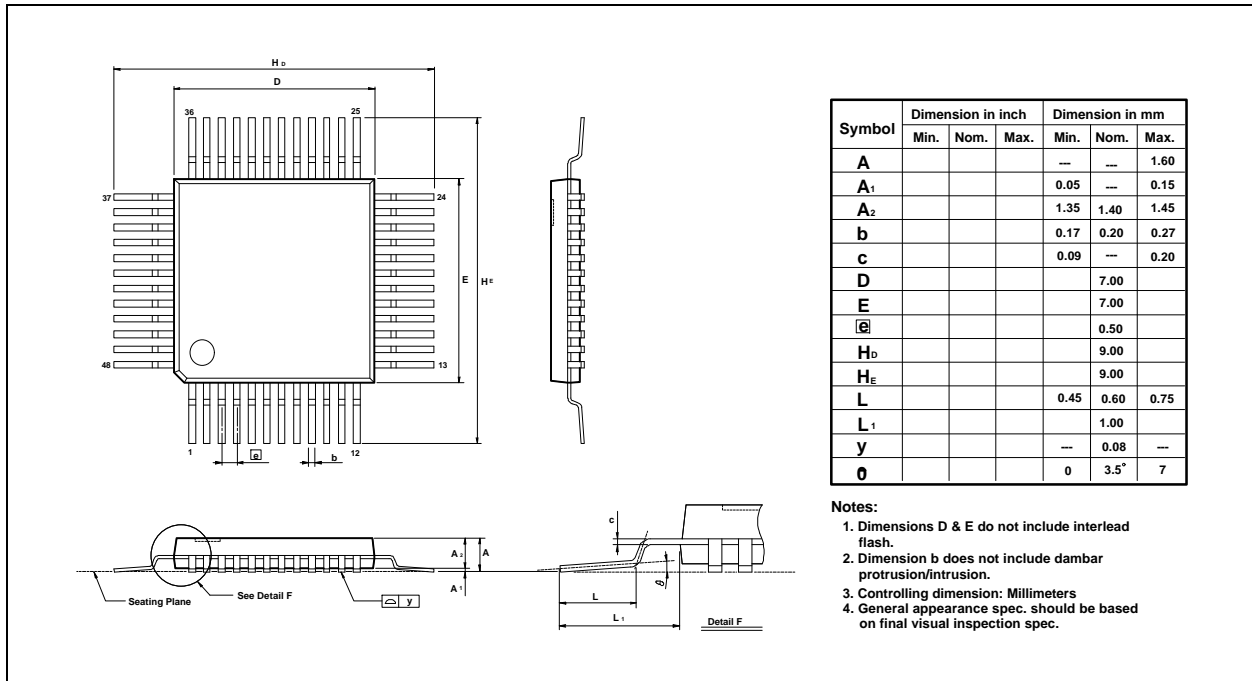
A: IC revision; A means version A, B means version B

Preliminary W83782D



10. PACKAGE DIMENSIONS

(48-pin QFP)



Headquarters
 No. 4, Creation Rd. III
 Science-Based Industrial Park
 Hsinchu, Taiwan
 TEL: 886-35-770066
 FAX: 886-35-789467
 www: <http://www.winbond.com.tw/>

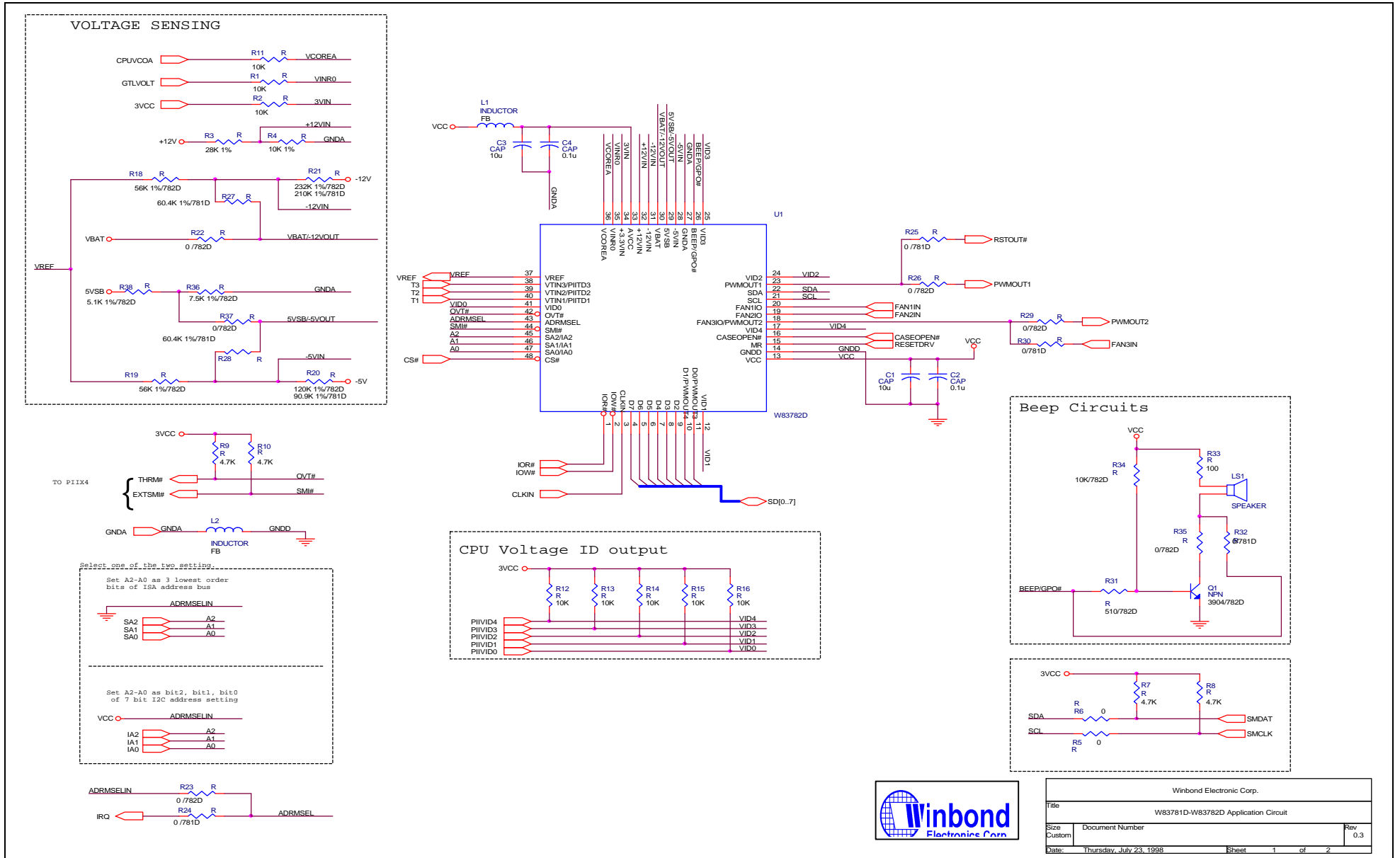
Taipei Office
 11F, No. 115, Sec. 3, Min-Sheng East Rd.
 Taipei, Taiwan
 TEL: 886-2-7190505
 FAX: 886-2-7197502
 TLX: 16485 WINTPE

Winbond Electronics (H.K.) Ltd.
 Rm. 803, World Trade Square, Tower II
 123 Hoi Bun Rd., Kwun Tong
 Kowloon, Hong Kong
 TEL: 852-27516023-7
 FAX: 852-27552064

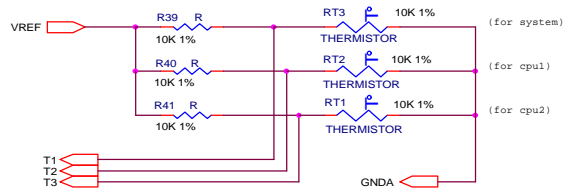
**Winbond Electronics
 (North America) Corp.**
 2730 Orchard Parkway
 San Jose, CA 95134 U.S.A.
 TEL: 1-408-9436666
 FAX: 1-408-9436668

Please note that all data and specifications are subject to change without notice. All the trade marks of products and companies mentioned in this data sheet belong to their respective owners.

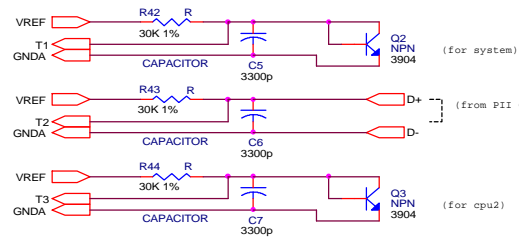
11. APPLICATION CIRCUIT OF WINBOND W83782D / 781D



Temperature Sensing

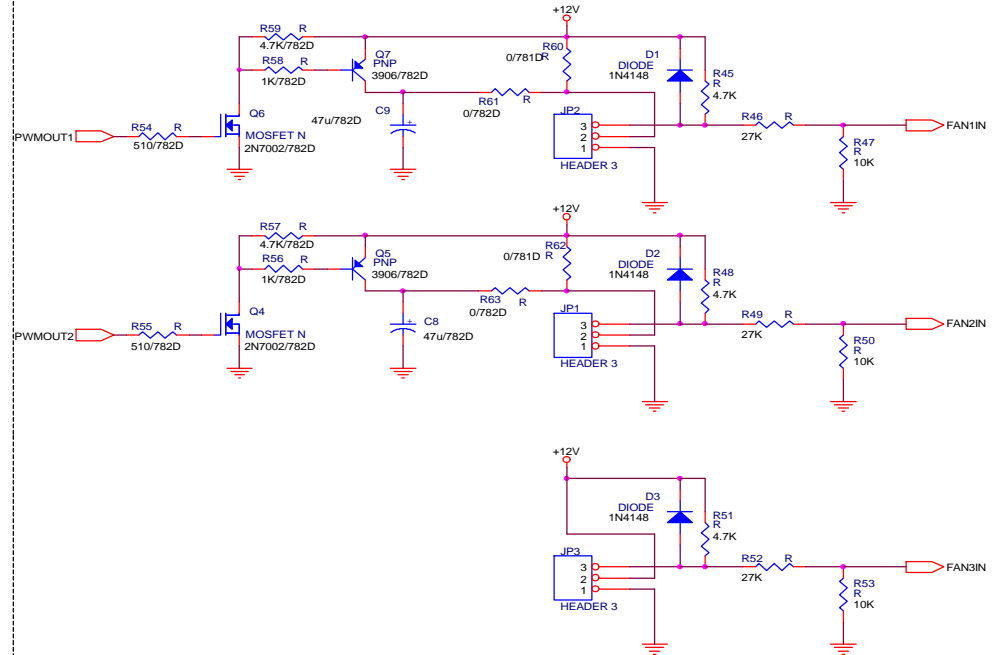


Measuring temperature by either thermistor or diode.

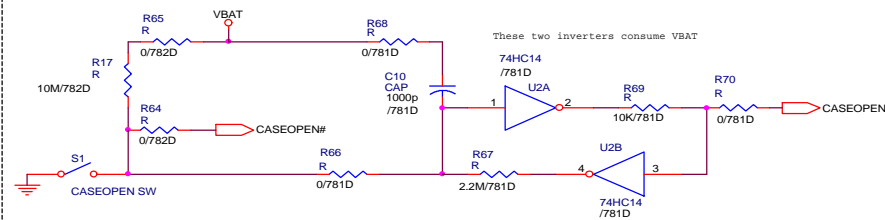


Choosing the more accurate measuring method between the above is recommended.

PWM Circuit for FAN speed control



Case Open Circuits



| | | |
|--------------------------|-------------------------------------|--------------|
| Winbond Electronic Corp. | | |
| Title | W83781D-W83782D Application Circuit | |
| Size | Document Number | Rev |
| Custom | | 0.3 |
| Date: | Wednesday, July 22, 1998 | Sheet 2 of 2 |

| Rev. | Description |
|------|---|
| 0.1 | First published. |
| 0.2 | Change CASEOPEN circuit for W83781D/782D co-layout. |
| 0.3 | Change 2N3904 in Fan Speed Control circuit to 2N7002. |



| | | | |
|-------------------------------------|-------------------------|-------|--------|
| Winbond Electronic Corp. | | | |
| Title | | | |
| W83781D-W83782D Application Circuit | | | |
| Size | Document Number | Rev | |
| B | | 0.3 | |
| Date: | Thursday, July 23, 1998 | Sheet | 3 of 3 |

This datasheet has been download from:

www.datasheetcatalog.com

Datasheets for electronics components.